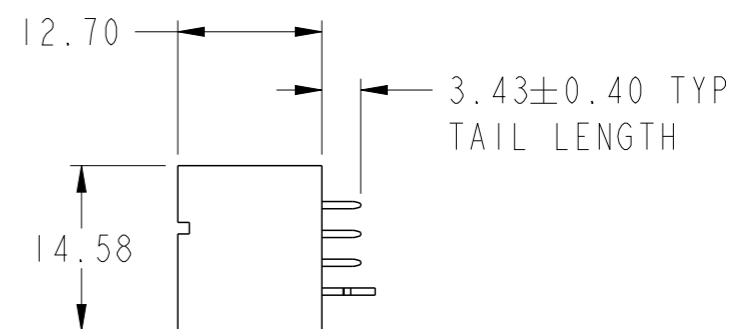
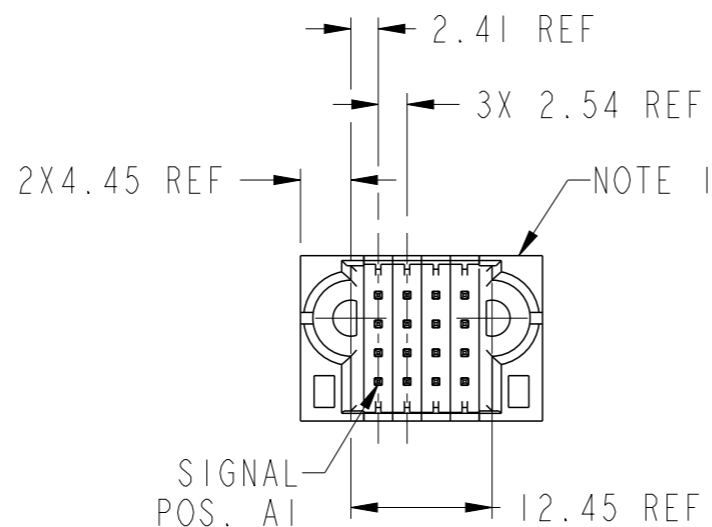
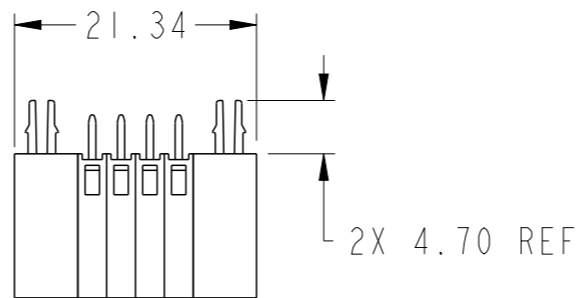
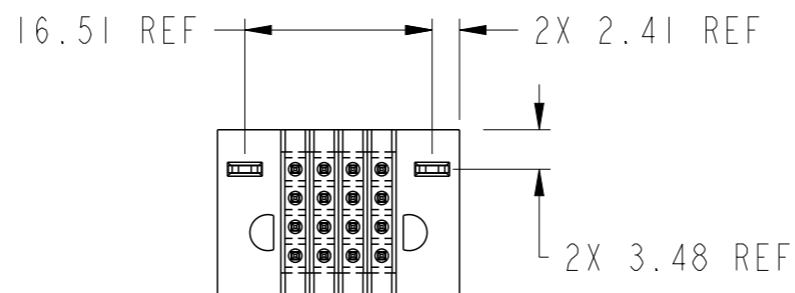


PART NUMBER SEE SHEET 2



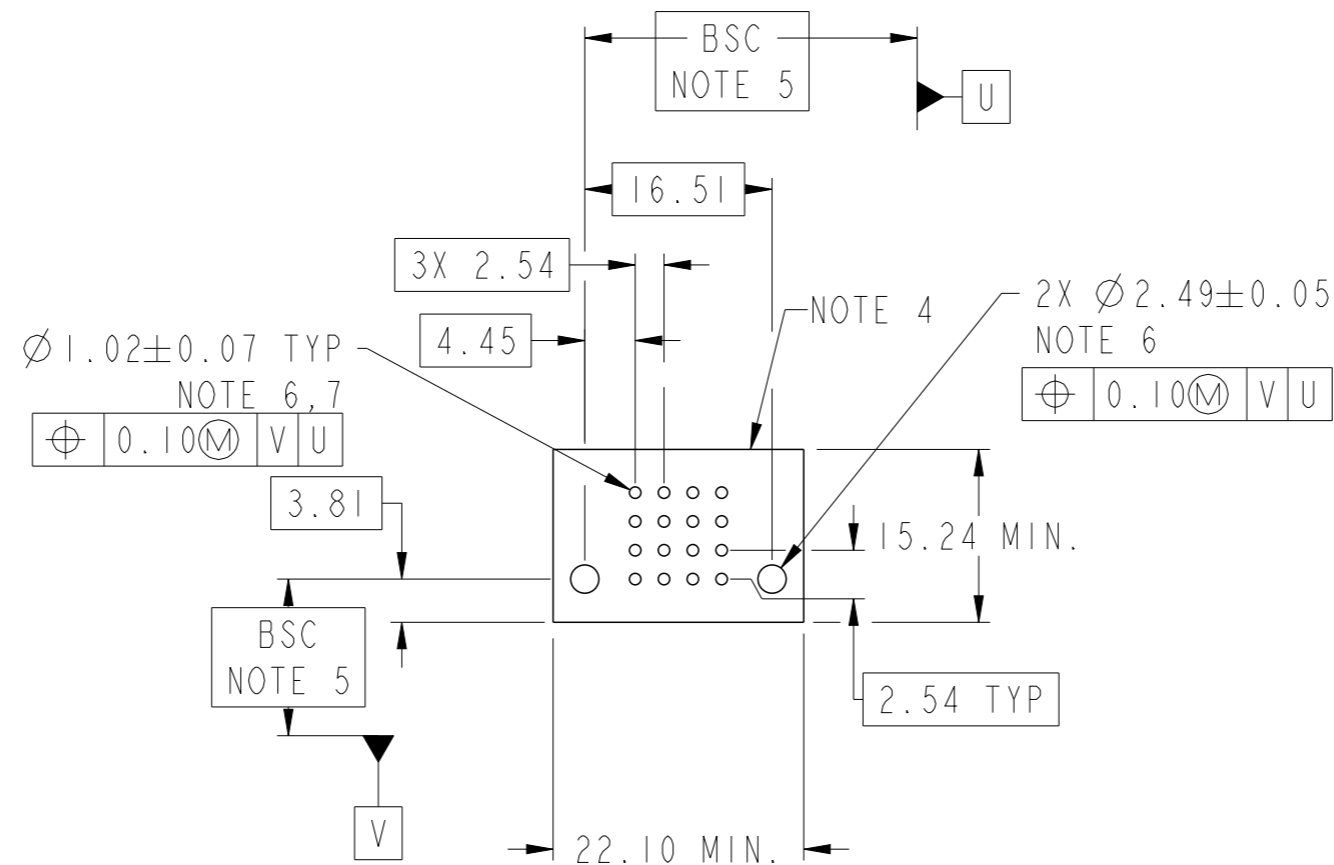
spec ref	*	dr	Peng-Bing Fu	2013/01/30	projection	MM	size	A3	scale	3:2									
tolerance std	ASME Y14.5	eng	Peng-Bing Fu	2013/05/08			ecn no		-										
TOLERANCES UNLESS OTHERWISE SPECIFIED		chr	-	-			rel level		Released										
surface	<input checked="" type="checkbox"/> linear <input type="checkbox"/> angular	appr	Pei-Ming Zheng	2013/05/08	product family	PwrBlade+	rel level		Released										
ASME Y14.5	<table border="1"> <tr> <td>0.X</td> <td>±0.5</td> </tr> <tr> <td>0.XX</td> <td>±0.25</td> </tr> <tr> <td>0.XXX</td> <td>±0.10</td> </tr> <tr> <td>0°</td> <td>±2°</td> </tr> </table>	0.X	±0.5	0.XX	±0.25	0.XXX	±0.10	0°	±2°			title 16S VERTICAL STB HEADER	dwg no 10106267-0004001	rev A		www.fci.com		cat. no. Product - Customer Drw	sheet 1 of 3
0.X	±0.5																		
0.XX	±0.25																		
0.XXX	±0.10																		
0°	±2°																		



Copyright FCI.

PRODUCT NO.	ROWS	SIGNAL				
		E1	1	2	3	4
10106267-0004001LF	DCBA					

CODE	DESCRIPTION
E	STD SIGNAL CONTACT
HA	METAL HOLD DOWN



Copyright FCI.

dr	Peng-Bing Fu	2013/01/30	projection	MM	size	A3	scale	3:2
eng	Peng-Bing Fu	2013/05/08		← →	ecn no			
chr	-	-			-			
appr	Pei-Ming Zheng	2013/05/08	product family	PwrBlade+	rel level		Released	
		title	16S		dwg no	10106267-0004001		rev
www.fci.com		VERTICAL STB HEADER				A		
cat. no.			Product - Customer Drw		sheet 2 of 3			

A

B

C

D

A

B

C

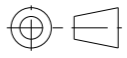
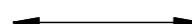

D

NOTES:

- 1) "FCI", PART NUMBER AND DATE CODE TO BE MARKED ON THIS SURFACE.
THE MARK CAN BE OMITTED IF THERE IS NOT ENOUGH SPACE ON THIS SURFACE.
- 2) MATERIALS:
-HOUSING - GLASS FILLED WITH HIGH TEMP THERMOPLASTIC, UL94V-0.
-SIGNAL CONTACT - COPPER ALLOY.
-POWER CONTACT - HIGH CONDUCTIVITY COPPER ALLOY.
- 3) PLATING SPECIFICATION REFER TO FCI 10116351
- 4) DENOTES CONNECTOR KEEP OUT ZONE.
- 5) DATUM AND BASIC DIMENIONS WERE ESTABLISHED BY CUSTOMER.
- 6) ALL HOLE DIAMETERS ARE FINISHED HOLE SIZES.
- 7) 1.15 ± 0.025 MM DRILLED HOLE PLATED WITH 0.00762MM MIN Sn
OVER 0.0254-0.0762MM Cu PLATING TO ACHIEVE A 1.02 ± 0.07 MM HOLE.
- 8) PRODUCT SPECIFICATION REFER TO FCI GS-12-658.
APPLICATION SPECIFICATION REFER TO FCI GS-20-141.
PRODUCT PACKAGED IN TRAYS, REFER TO FCI GS-14-1502.



Copyright FCI.

dr	Peng-Bing Fu	2013/01/30	projection 	MM 	size	A3	scale	3:2	
eng	Peng-Bing Fu	2013/05/08			ecn no	-			
chr	-	-			rel level	Released			
appr	Pei-Ming Zheng	2013/05/08	product family	PwrBlade+					
		title	16S VERTICAL STB HEADER		dwg no	10106267-0004001		rev	A
www.fci.com		cat. no.	Product - Customer Drw		sheet 3 of 3				