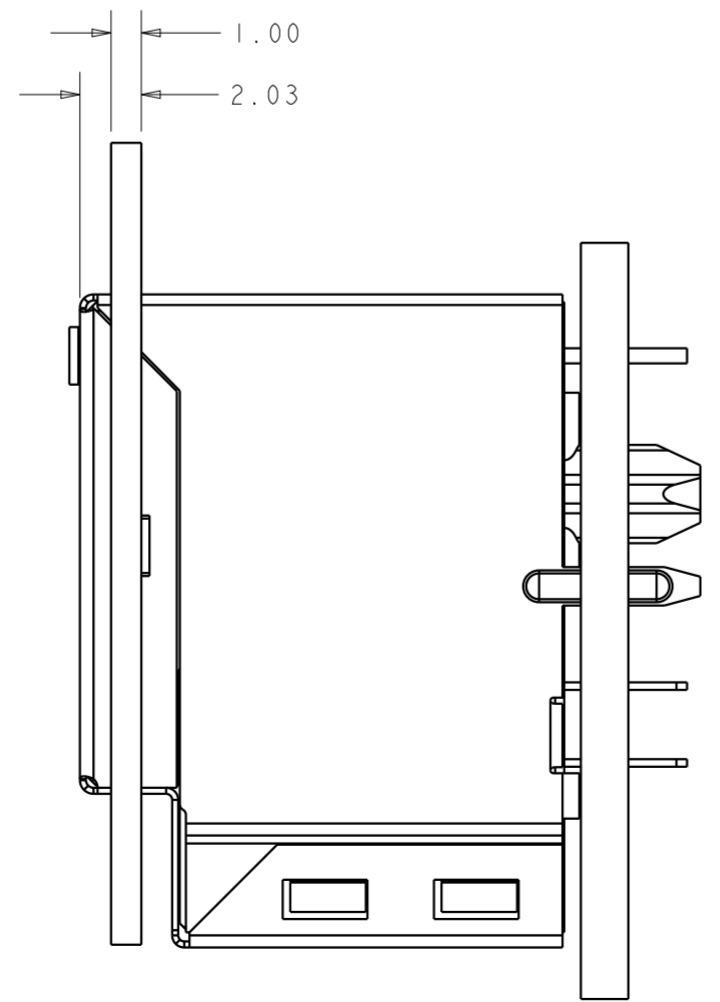
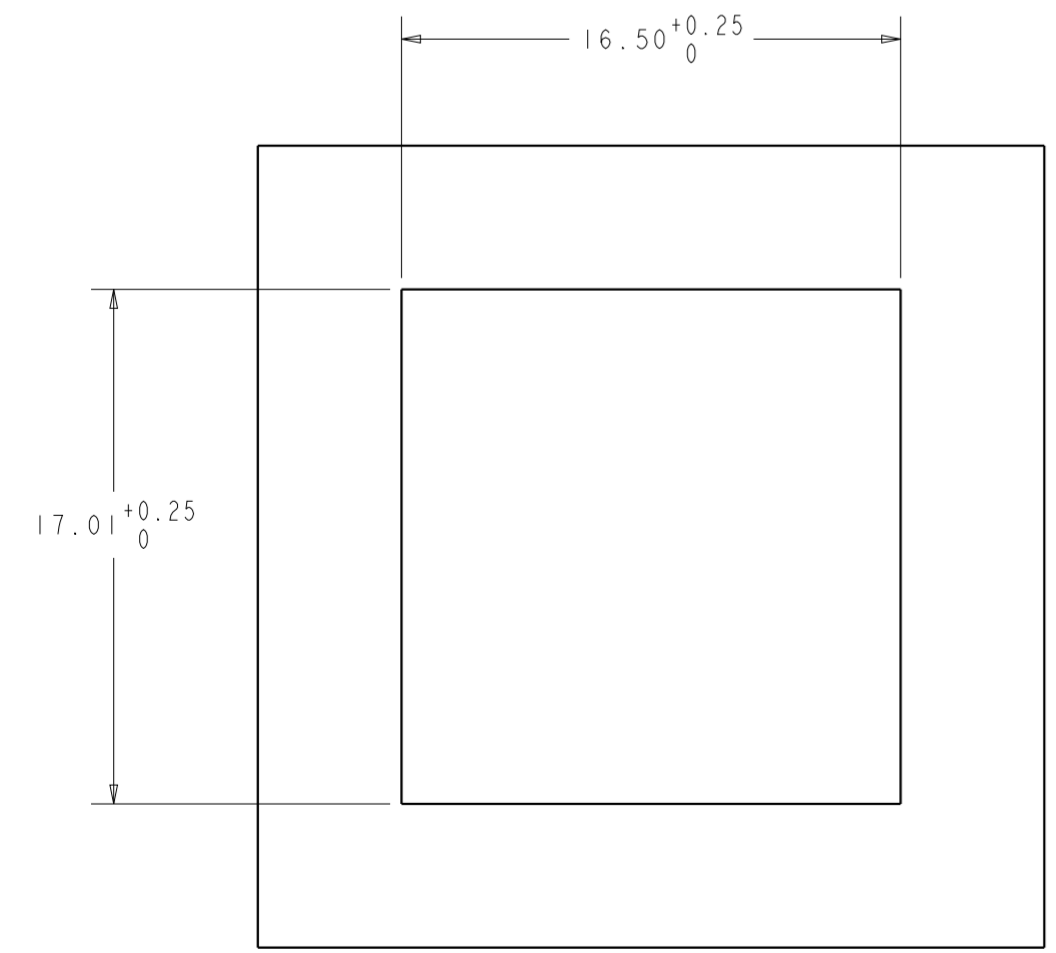
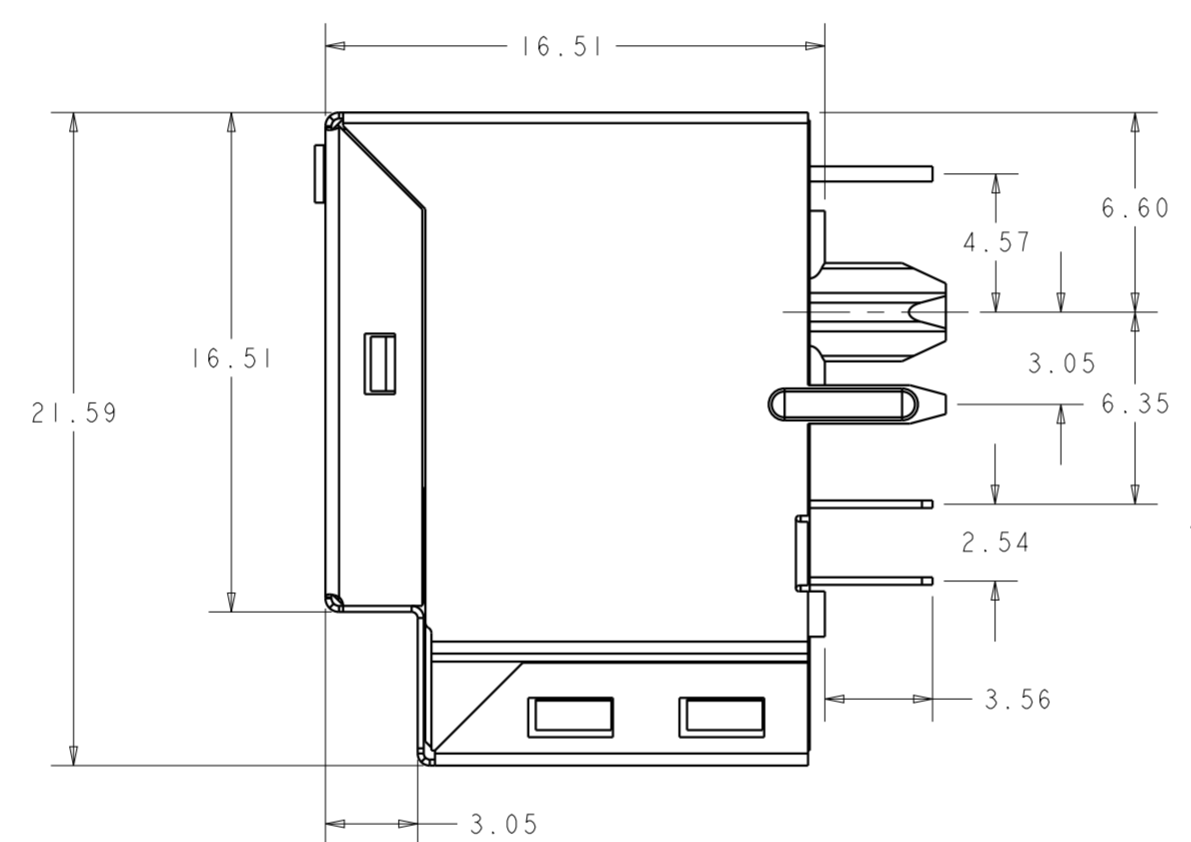
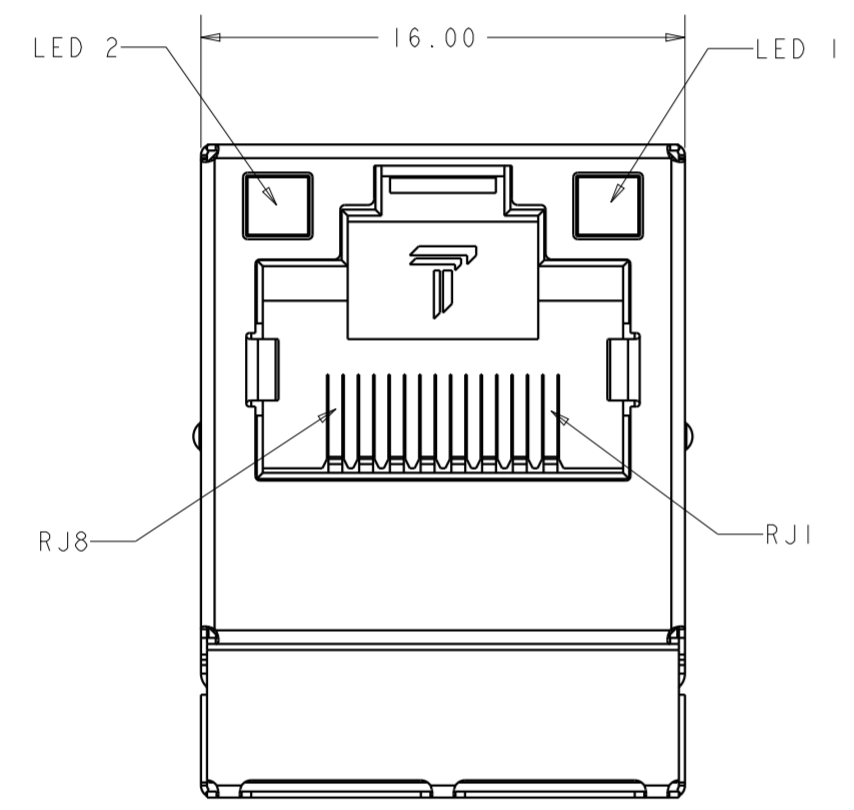
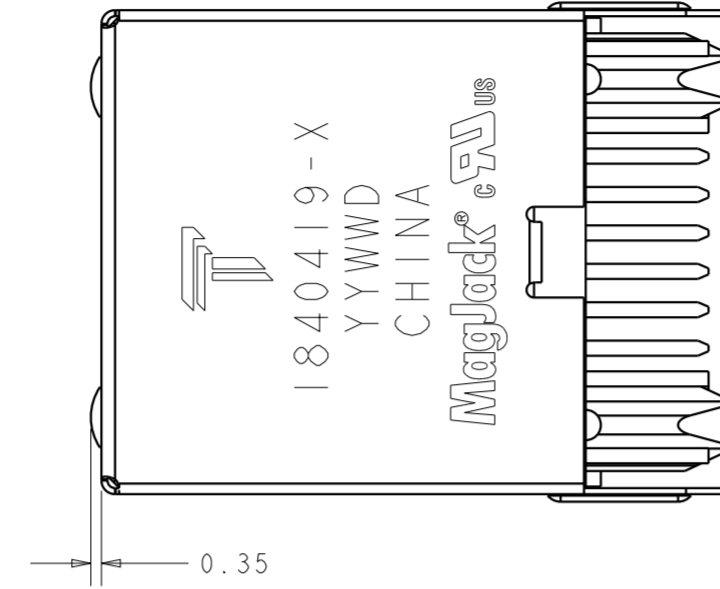
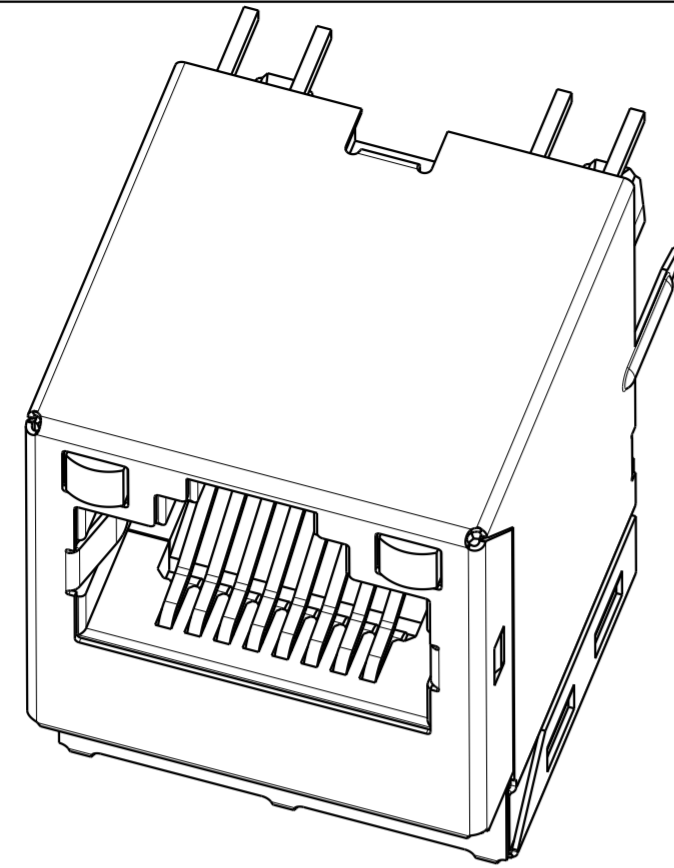


THIS DRAWING AND THE SUBJECT MATTER SHOWN THEREON ARE CONFIDENTIAL AND THE PROPERTY OF BEL/STEWART/TRP CONNECTOR AND SHALL NOT BE REPRODUCED, COPIED, OR USED IN ANY MANNER WITHOUT THE WRITTEN CONSENT OF TRP CONNECTOR.

PRODUCT MAY BE PROTECTED BY ONE OR MORE OF THE FOLLOWING US PATENTS:
 5736910 5939955 6425781 6428361 6554638 6840817 7123117
 7429195 7717749 7808751 6217391 6149050 7924130

REVISIONS				
P	LTR	DESCRIPTION	DATE	APVD
G		EC-1411035, LOGO CHANGE	22DEC2014	JC TY



1. MATERIALS
 HOUSING: THERMOPLASTIC, BLACK, FLAMMABILITY RATED UL 94V-0
 SHIELD: BRASS, 0.20mm THICK, PREPLATED WITH MIN 0.76um SEMI-BRIGHT NICKEL POST DIPPED WITH 2.54um MIN SAC SOLDER AT GROUND PINS.
 CONTACTS: PHOSPHOR BRONZE, PLATED WITH 1.27um MIN OVERALL NICKEL UNDERPLATE, SELECTIVE 1.27um MIN GOLD AT MATING INTERFACE AND 2.54um MIN MATTE TIN ON SOLDER TAILS. OR 1.27um MIN NICKEL UNDERPLATE, WITH 0.05um GOLD PLATING OVER 0.76um MIN PALLADIUM NICKEL PLATING AT MATING INTERFACE AND 2.54um MIN MATTE TIN ON SOLDER TAILS.
 SOLDER TAIL: PHOSPHOR BRONZE, WITH 1.27um MIN OVERALL NICKEL UNDERPLATE AND PLATED WITH 2.54um MIN TIN
 LED: DIFFUSED EPOXY LENS, 0.50mm SQUARE CARBON STEEL WIREFRAME LEADS PREPLATED WITH 2.03um MIN SILVER OVER 1.02um MIN NICKEL OVER 1.02um MIN COPPER UNDERPLATE POST PLATED WITH 2.54um MIN TIN

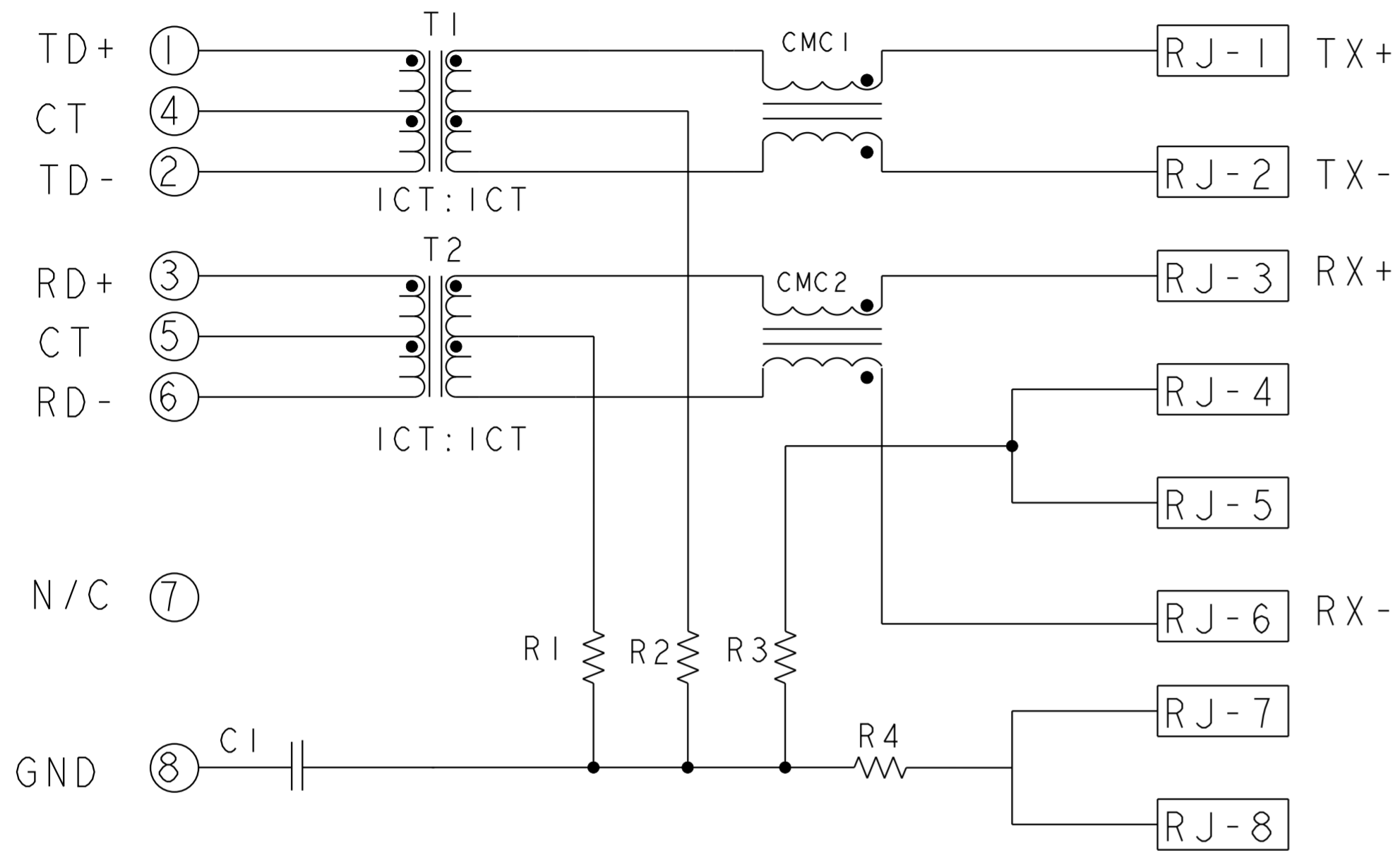
2. MAGNETICS
 -APPLICATION: 10/100 BASE-T
 -IMPEDANCE: 100 OHMS
 -TURNS RATIO (CHIP:CABLE): TX = 1:1, RX = 1:1
 -OPEN CIRCUIT INDUCTANCE (OCL): 350uH MIN @100kHz, 0.1VRMS, 8mADC BIAS FROM 0°C TO 70°C, TX AND RX
 -PERFORMANCE @ 25°C:
 INSERTION LOSS (IL): 1.1dB MAX FROM 0.5MHz TO 100MHz
 RETURN LOSS (RL): 18dB MIN FROM 0.5MHz TO 30MHz
 18-20LOG(f/30)dB MIN FROM 30.1MHz TO 60MHz
 12dB MIN FROM 60.1MHz TO 80MHz
 CROSSTALK ATTENUATION: 35dB MIN FROM 0.5MHz TO 40MHz
 33-20LOG(f/50)dB MIN FROM 40.1MHz TO 100MHz
 COMMON MODE REJECTION RATIO (CMRR): 30dB MIN FROM 0.5MHz TO 100MHz
 -ISOLATION VOLTAGE: COMPLIES WITH IEEE802.3 2002, PARA 23.5.1.1, ITEM b.

3. THE MAGNETIC ARE SYMMETRICAL AND SUPPORT AUTO-MDIX OPERATION.
 4. OPERATING TEMPERATURE: 0 - 70°C
 5. LED IS DRIVEN WITH CONSTANT CURRENT AT APPROX 20mA.
 DOMINANT WAVELENGTH(λ D)
 GREEN 568nm TYP.at IF=20mA
 YELLOW 588nm TYP.at IF=20mA
 FORWARD VOLTAGE(VF):
 GREEN 2.2V TYP.at IF=20mA
 YELLOW 2.1V TYP.at IF=20mA
 6. ALL DIMENSIONS TO BE NOMINAL UNLESS OTHERWISE NOTED
 7. RJ45 CAVITY CONFORMS TO FCC RULES AND REGULATION PART 68 SUBPART F.

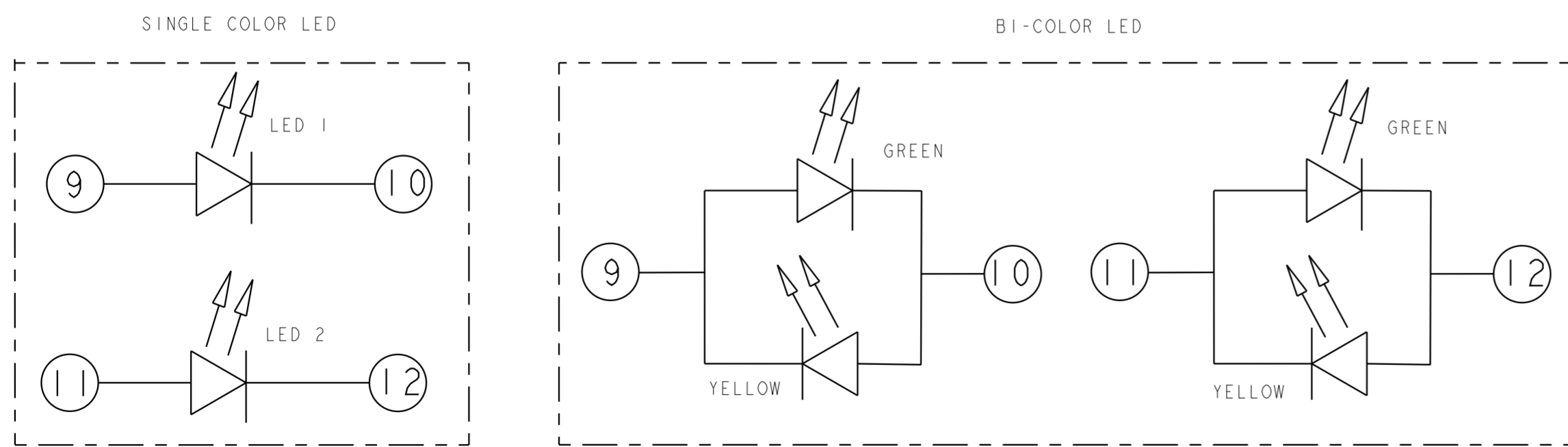
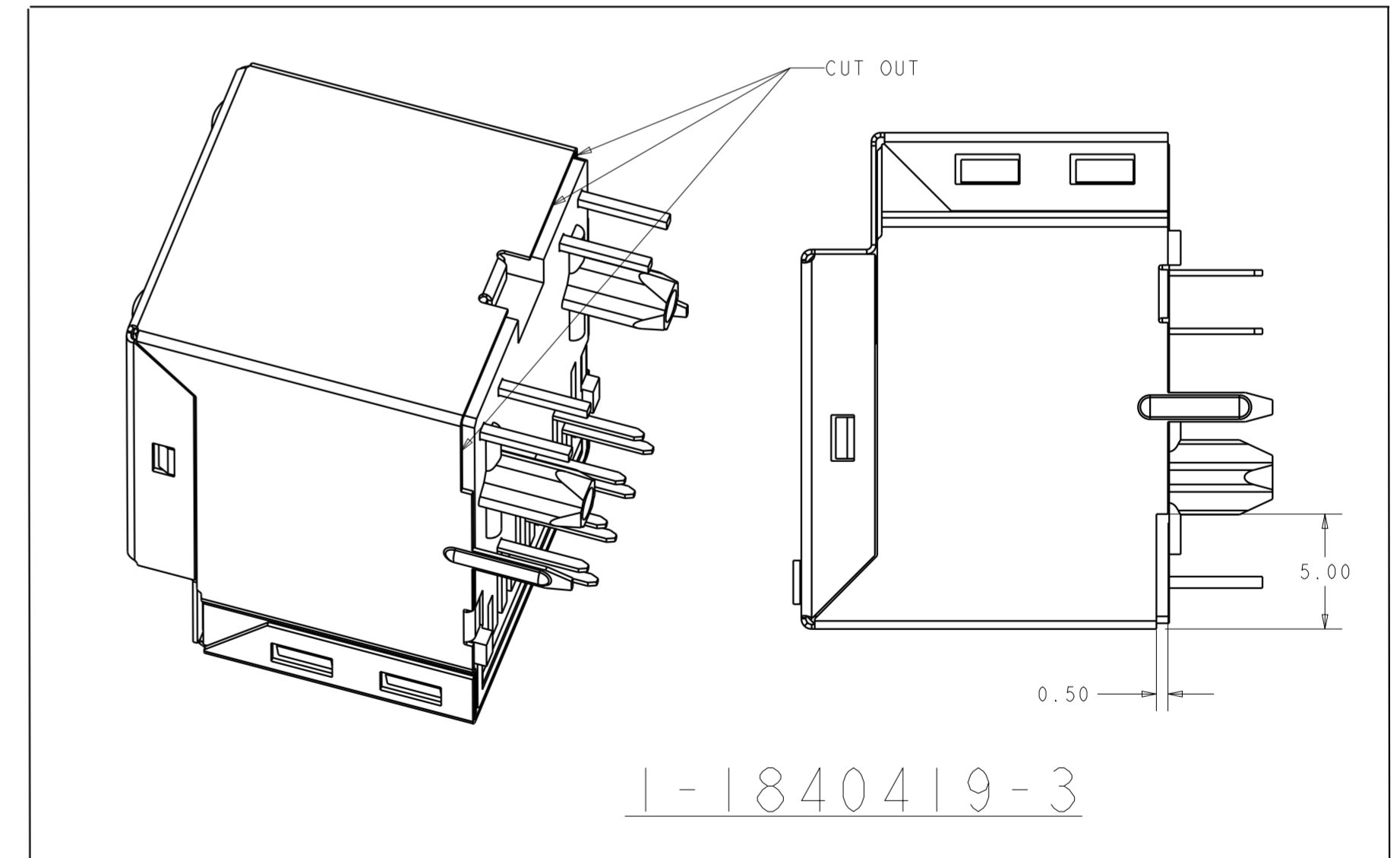
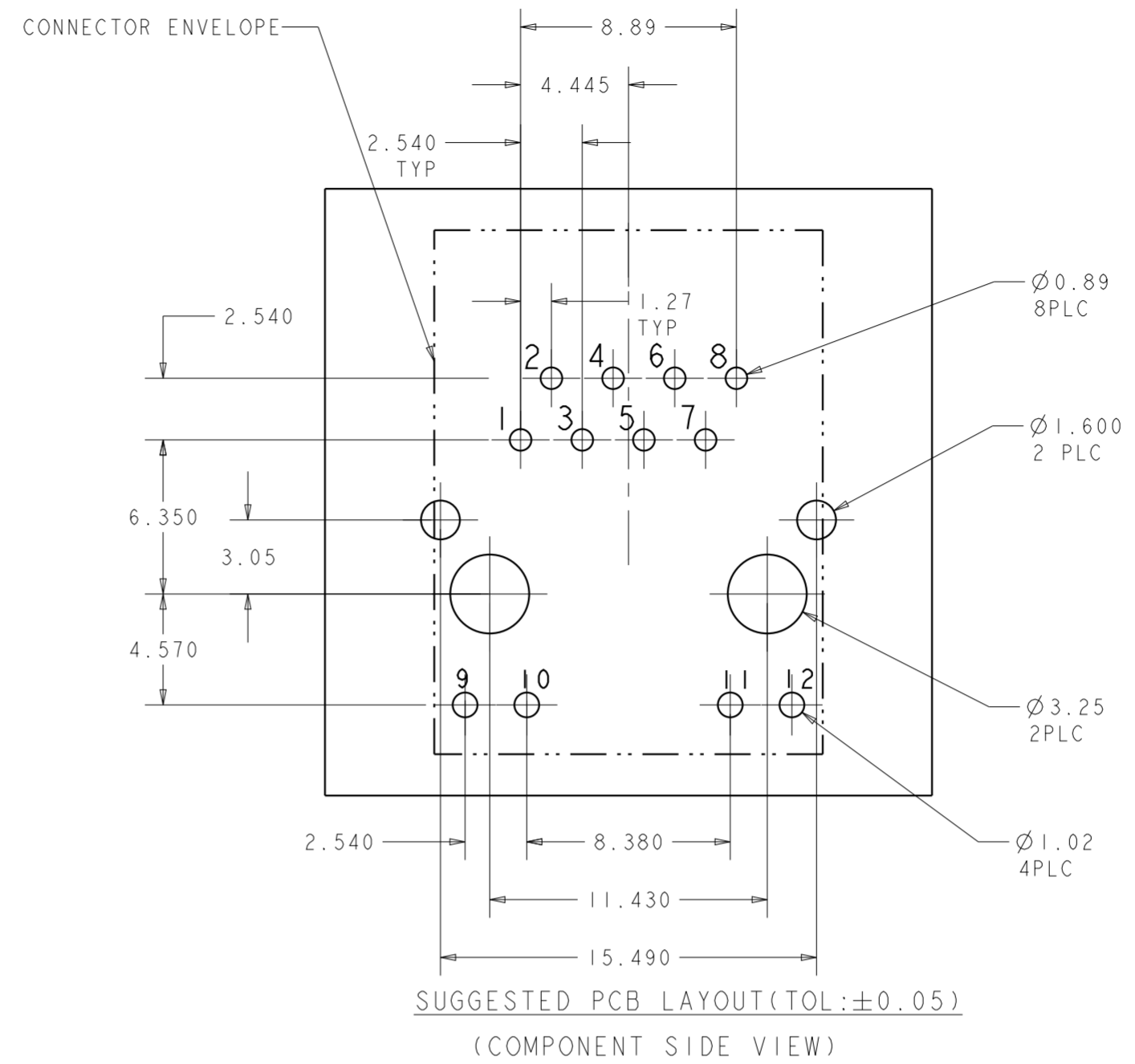
YES	YELLOW	GREEN	1-1840419-3
NO	GRN/YEL	GRN/YEL	1840419-4
NO	YELLOW	GREEN	1840419-3
NO	GREEN	YELLOW	1840419-2
NO	GREEN	GREEN	1840419-1
CUT OUT	LED 1	LED 2	PART NUMBER


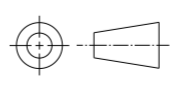
THIS DRAWING IS A CONTROLLED DOCUMENT.		DWN TOMMY REN 18AUG2006	 trp CONNECTOR a bel group DONGGUAN CHINA
DIMENSIONS: mm		CHK KEITH ZHU 18AUG2006	
TOLERANCES UNLESS OTHERWISE SPECIFIED:		APVD TEDDY XIONG 18AUG2006	
0 PLC ±0.25 1 PLC ±0.25 2 PLC ±0.25 3 PLC ±0.25 4 PLC ± ANGLES ± APPLICATION SPEC		MODEL NAME	
PRODUCT SPEC 108-2100		MAGJACK SINGLE NON-POE	DESC IXI, MAGJACK, VERTICAL 426P13, 10/100 CIRCUIT, W/ LEDS
		SIZE A2	RESTRICTED TO
		CAGE CODE G-1840419	
		SCALE 4:1	SHEET 1 OF 2 REV G

426P13 10/100 BASE-T CIRCUIT



C1 = 1000pF, 2KV, CAPACITOR
R1 - R4 = 75 ohms, RESISTOR



THIS DRAWING IS A CONTROLLED DOCUMENT.		DWN TOMMY REN 18AUG2006	 trp CONNECTOR a bel group DONGGUAN CHINA
DIMENSIONS: mm		CHK KEITH ZHU 18AUG2006	
		APVD TEDDY XIONG 18AUG2006	
PRODUCT SPEC 108-2100		MODEL NAME MAGJACK SINGLE NON-POE	
TOLERANCES UNLESS OTHERWISE SPECIFIED: 0 PLC ±0.25 1 PLC ±0.25 2 PLC ±0.25 3 PLC ±0.25 4 PLC ± ANGLES ±		DESC 1X1, MAGJACK, VERTICAL 426P13, 10/100 CIRCUIT, W/ LEDS	SIZE A2
APPLICATION SPEC		RESTRICTED TO G-1840419	SCALE 4:1 SHEET 2 OF 2 REV G
CUSTOMER DRAWING			