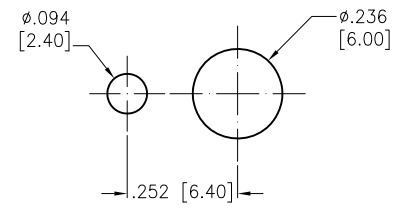
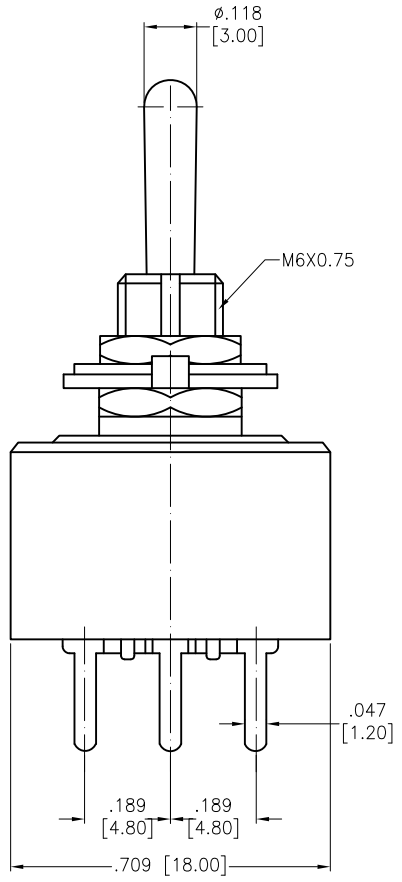
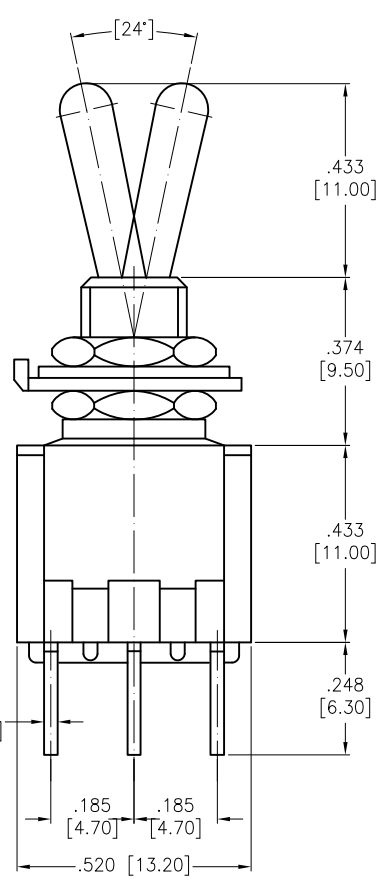
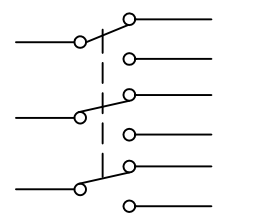


Rev	AWO #	Description	Date	Appr
-		RELEASED	8/11/21	

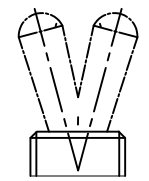
APPROVED: \_\_\_\_\_  
DATE: \_\_\_\_\_ TITLE: \_\_\_\_\_



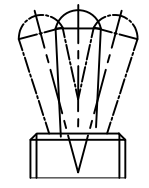
RECOMMENDED  
PANEL CUT-OUT



(3PDT) ON-OFF-ON



2 WAY



3 WAY

SW-T2-6X-B-A2-M3  
-B=ON-ON (2 WAY)  
-E=ON-OFF-ON (3 WAY)

SPECIFICATIONS:

Material:  
Body: Bakelite, Color: Black  
Lever: Brass, Nickel plated  
Terminal: Brass, Silver plated  
Electrical:  
Rating: 3A @ 250V AC  
6A @ 125V AC  
Contact resistance: 20 mΩ max  
Insulation resistance: 1000 MΩ min (500VDC)  
Dielectric withstanding voltage: 1500V AC for 1 minute  
Electrical Life: 10,000 cycles  
Temperature Rating:  
Operating temperature: -25°C to +85°C  
Environmental:  
Lead free, RoHS compliant



UNLESS OTHERWISE SPECIFIED ALL DIMENSIONS ARE INCHES [MM]. TOLERANCES: EXCEPT AS NOTED

INCHES		HOLES	
.X	± .10	∅.X	± .10
.XX	± .020	∅.XX	± .015
.XXX	± .015	∅.XXX	± .010



909 Rahway Avenue,  
Union, NJ 07083  
Phone: 908-687-5000  
Fax: 908-687-5710

DRAWN	JJ	8/11/21
CHECKED	RC	8/11/21
APPROVED		

TITLE SWITCH, TOGGLE MINIATURE, 3PDT,  
ON-OFF-ON, PCB VERTICAL TYPE

THIS DRAWING CONTAINS INFORMATION THAT IS PROPRIETARY AND SHOULD NOT BE USED WITHOUT PRIOR WRITTEN PERMISSION FROM ADAM TECH

SIZE X	PART NO. SW-T2-6X-B-A2-M3	REV. -
REF: -	SCALE: NTS	SHEET 1 OF 1