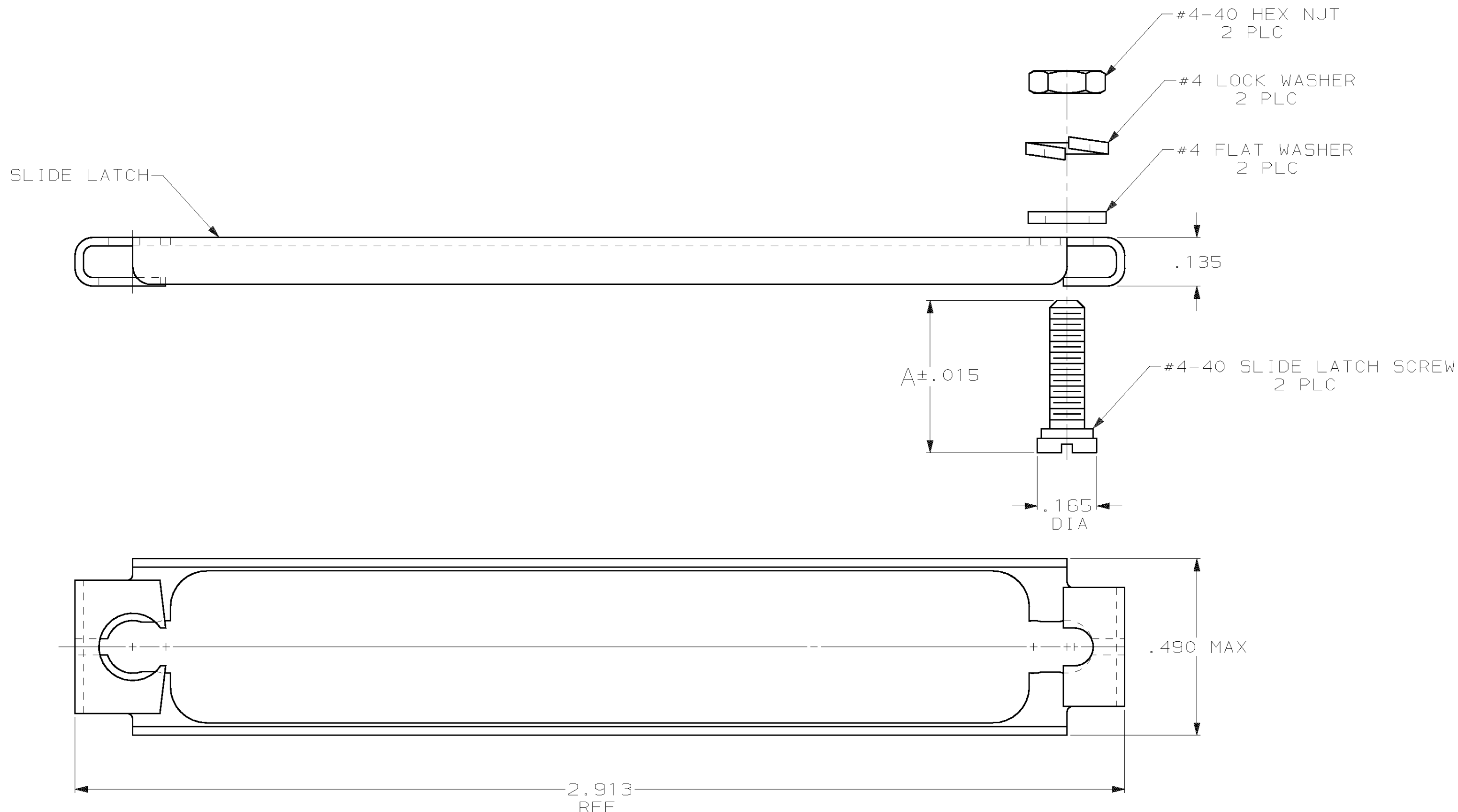


THIS DRAWING IS UNPUBLISHED. RELEASED FOR PUBLICATION, 19 .
 © COPYRIGHT 19 BY AMP INCORPORATED. ALL INTERNATIONAL RIGHTS RESERVED.

LOC	DIST	P	F	ZONE	LTR	DESCRIPTION	DATE	APPD
GP	00				B	REV PER OUID-0274-00	22 OCT 01	JR



- 1. PARTS PACKAGED UNASSEMBLED.
- 2. PARTS PACKAGED AS A UNIT KIT.
- 3. PARTS INDIVIDUALLY BULK PACKAGED & SHIPPED AS A UNIT PACKAGE.
- 4. THIS KIT CAN BE USED WITH CABLE CLAMP BODIES THAT DO NOT EXTEND BEYOND THE FRONT FLANGE OF THE CONNECTOR OR ON CONNECTORS WITHOUT CABLE CLAMPS.

4	SUPERSEDED BY 745407-1	.415	#4-40	3	745407-2
		.415	#4-40	2	745407-1

DR	CHK	APPD	PRODUCT SPEC	APPLICATION SPEC	WEIGHT	SIZE	FSCM NO	DRAWING NO
-	-	-	-	-	-	C	00779	745407
						SCALE	4:1	SHEET 1 OF 1

AMP | AMP INCORPORATED
Harrisburg, Pa. 17105

KIT, SLIDE LATCH, SIZE 4,
37 POSITION, AMPLIMITE®