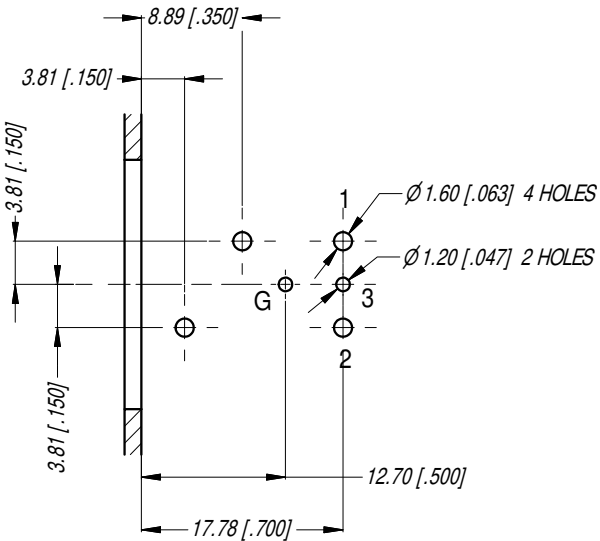


MIN MOUNTING PITCH (1:1)

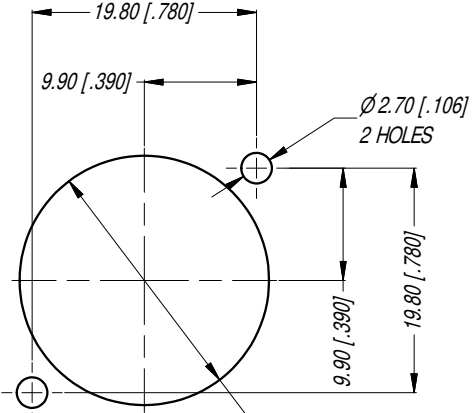


PCB LAYOUT

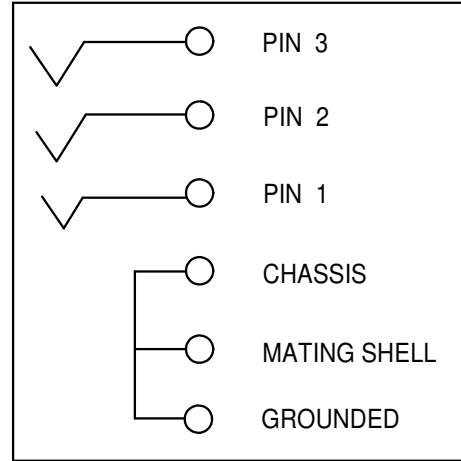
TOLERANCE: ± 0.05 [± 0.002]

NOTE: DIMENSIONS IN PARENTHESES ARE IN INCHES

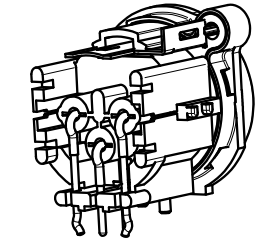
NOTE: SUFFIX "B" IN THE PART No. INDICATES BULK PACK



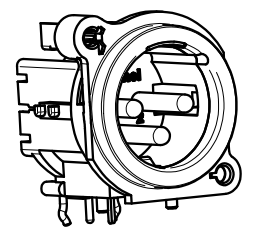
PANEL CUT OUT REAR VIEW



SCHEMATIC CHART



3D VIEW (1:1)



REV	DESCRIPTION	DATE	BY	CHG No
2	ADD SUFFIX B TO PART No.	27/08/15	T.N	9318
1	ADD SCHEMATIC CHART	06/26/09	A.O	8793
0	FIRST ISSUE	03/09/07	T.N	8686

REVISION HISTORY

UNLESS OTHERWISE SPECIFIED TOLERANCE TO BE:		THIS DOCUMENT IS THE PROPERTY OF AMPHENOL AUSTRALIA PTY. LTD. NO PART THEREOF MAY BE REPRODUCED AND USED WITHOUT THE PRIOR WRITTEN CONSENT OF THE OWNER			
LINEAR	ANGULAR	CAD FILE	DRN:	DATE:	TITLE:
X ± 0.5	X° ± 1	55010469000211	T.N	04/09/07	XLR MALE B TYPE CONNECTOR CUSTOMER DWG
X.X ± 0.1	X.X° ± 30°	MATL: REFER TO COMPONENTS	CKD: P.M	DATE: 06/26/09	Amphenol Australia Pty.Ltd. 2 Fiveways Blvd. Keysborough, Vic3173
X.XX ± 0.05	X.XX° ± 15°	DO NOT SCALE	APP'D: P.M	DATE: 06/26/09	DRAWING NO. 55010469-000-2
DIMENSIONS IN MILLIMETRES		THIRD ANGLE PROJECTION	SCALE: 1.5:1	PART No: AC3MBH2-AU-B	SHEET 2/2

Amphenol

Amphenol Australia Pty.Ltd. 2 Fiveways Blvd. Keysborough, Vic3173

DRAWING NO. 55010469-000-2 SHEET 2/2