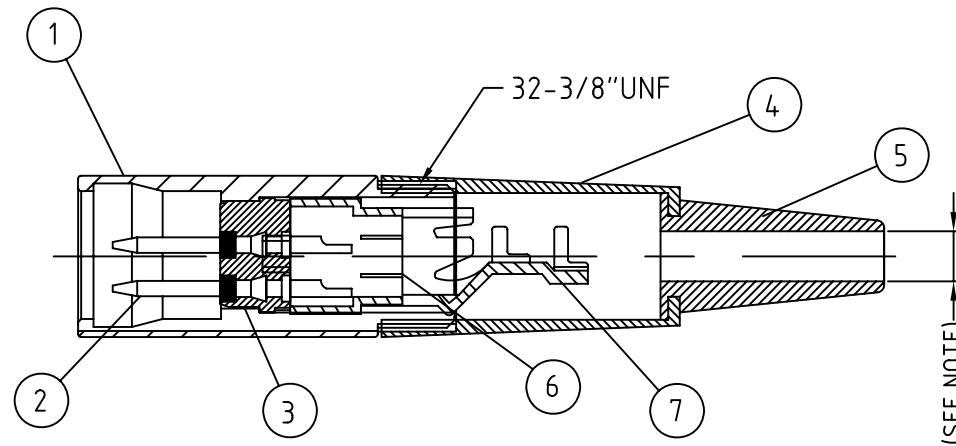


No. CONTACT	PART No.	CABLE ENTRY (mm)
3 POLE	AG3M	3.5 DIAM GROMMET
4 POLE	AG4M	3.5 DIAM GROMMET
5 POLE	AG5M	5 DIAM GROMMET
6 POLE	AG6M	5 DIAM GROMMET



A-A SECTION

NOTE: SEE TABLE FOR STANDARD CABLE ENTRY. CONTACT FACTORY FOR ALTERNATIVE

ITEM	MATERIAL	MATERIAL	ITEM
1	SHELL	BRASS-NICKEL PLATED	1
2	CONTACT	BRASS-GOLD PLATED	VARY
3	INSULATOR	PPS-BLACK	1
4	NUT	ABS-BLACK	1
5	GROMMET	PVC-BLACK	1
6	ADAPTOR	PPS-BLACK	1
7	CABLE CLAMP	BRASS-NICKEL PLATED	1

UNLESS OTHERWISE SPECIFIED TOLERANCE TO BE		THIS DOCUMENT IS THE PROPERTY OF AMPHENOL AUSTRALIA PTY. LTD.. NO PART THEREOF MAY BE REPRODUCED AND USED WITHOUT THE PRIOR WRITTEN CONSENT OF THE OWNER			
LINEAR	ANGULAR	CAD FILE:	DRN:	DATE:	TITLE:
X ± 0.5	X° ± 1°	550105430001101	M.N.H	15-06-07	MINI XLR LINE MALE CUSTOMER DRAWING
X,X ± 0.1	X°X' ± 30'	MATL: SEE NOTES	CKD: M.H.	DATE: 19-01-09	
X,X ± 0.05	X°X'X" ± 15'	DO NOT SCALE	FINISH: SEE NOTES	DATE: 19-01-09	
DIMENSIONS IN MILLIMETRES		SCALE: 2:1	APP'D: M.H.	DATE: 19-01-09	PART No: REFER TO CHART

1	CHANGE PART NUMBER FROM ENGINEERING 55010543-000 TO CATALOGUE AG3M	M.H	19-01-09	----								
0	FIRST ISSUE	M.N.H	15-06-07	----								
REV.	CHANGE DETAILS	BY	DATE	CHG/No								
<table border="1"> <tr> <td colspan="2">Amphenol</td> </tr> <tr> <td colspan="2">Amphenol Australia Pty.Ltd, 2 Freeways Blvd, Keysborough, Vic.3173</td> </tr> <tr> <td>DRAWING NO.</td> <td>SHEET</td> </tr> <tr> <td>55010543-000-1</td> <td>1 OF 1</td> </tr> </table>		Amphenol		Amphenol Australia Pty.Ltd, 2 Freeways Blvd, Keysborough, Vic.3173		DRAWING NO.	SHEET	55010543-000-1	1 OF 1			
Amphenol												
Amphenol Australia Pty.Ltd, 2 Freeways Blvd, Keysborough, Vic.3173												
DRAWING NO.	SHEET											
55010543-000-1	1 OF 1											