

1

2

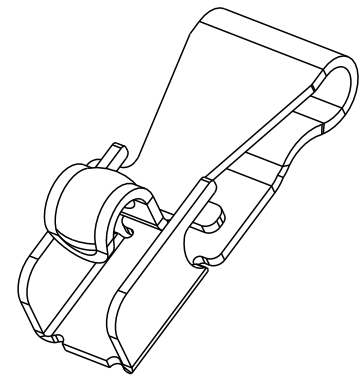
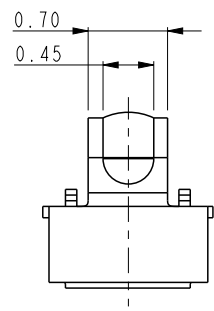
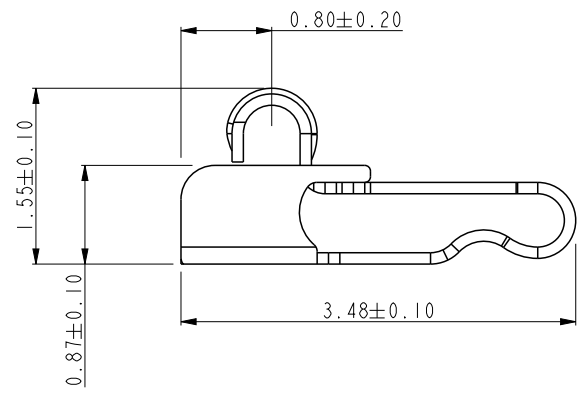
3

4

	PRODUCT NO.
FCI	10118534-001RLF
	10118534-003RLF
	10118534-009RLF

A

B

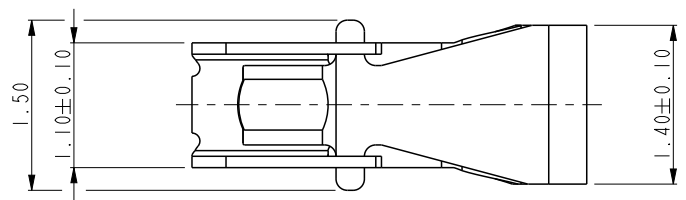


A

B



C



C

NOTES:

- 1. MATERIAL: COPPER ALLOY.
- 2. CONTACT PLATING:
CONTACT AREA: PLATING Au OR GXT OVER Ni UNDERPLATE.
(GXT = GOLD FLASH + PdNi)
SOLDER AREA: PLATING GOLD FLASH OVER Ni UNDERPLATE.
- 3. PACKAGING: TAPE & REEL
- 4. PART NUMBER DESCRIPTION:
10118534- 0 0 X X X

LF: LEAD FREE
R: TAPE & REEL

CONTACT PLATING:
1: 1um Au OVER Ni
3: GOLD FLASH OVER Ni
9: 1um GXT OVER Ni

rev	ecn no	dr	date
A	INITIAL RELEASE	AL	2012-08-24
-	-	-	-
-	-	-	-
-	-	-	-
-	-	-	-

Copyright FCI.

D

spec ref	*	dr	Andy Lu	2012/08/24	projection 	mm 	size	A4	scale	15.000			
tolerance std	TOLERANCES UNLESS OTHERWISE SPECIFIED	eng	Andy Lu	2012/08/24			ecn no	-					
ASME Y14.5		chr	-	-			rel level	Released					
surface	✓	appr	Pei-Ming Zheng	2012/08/27	product family	-	surface	0.X	±0.3	 www.fci.com	title ANTENNA CONNECTOR UNIVERSAL CONTACT cat. no.	dwg no 10118534	rev A
ASME Y14.5	linear	0.XX	±0.15	Product - Customer Drw	sheet 1 of 1								
	angular	0°	±2°										

ProE File - REV C - 2009-06-09

2

3

PDS: Rev :A

STATUS:Released

Printed: Aug 27, 2012