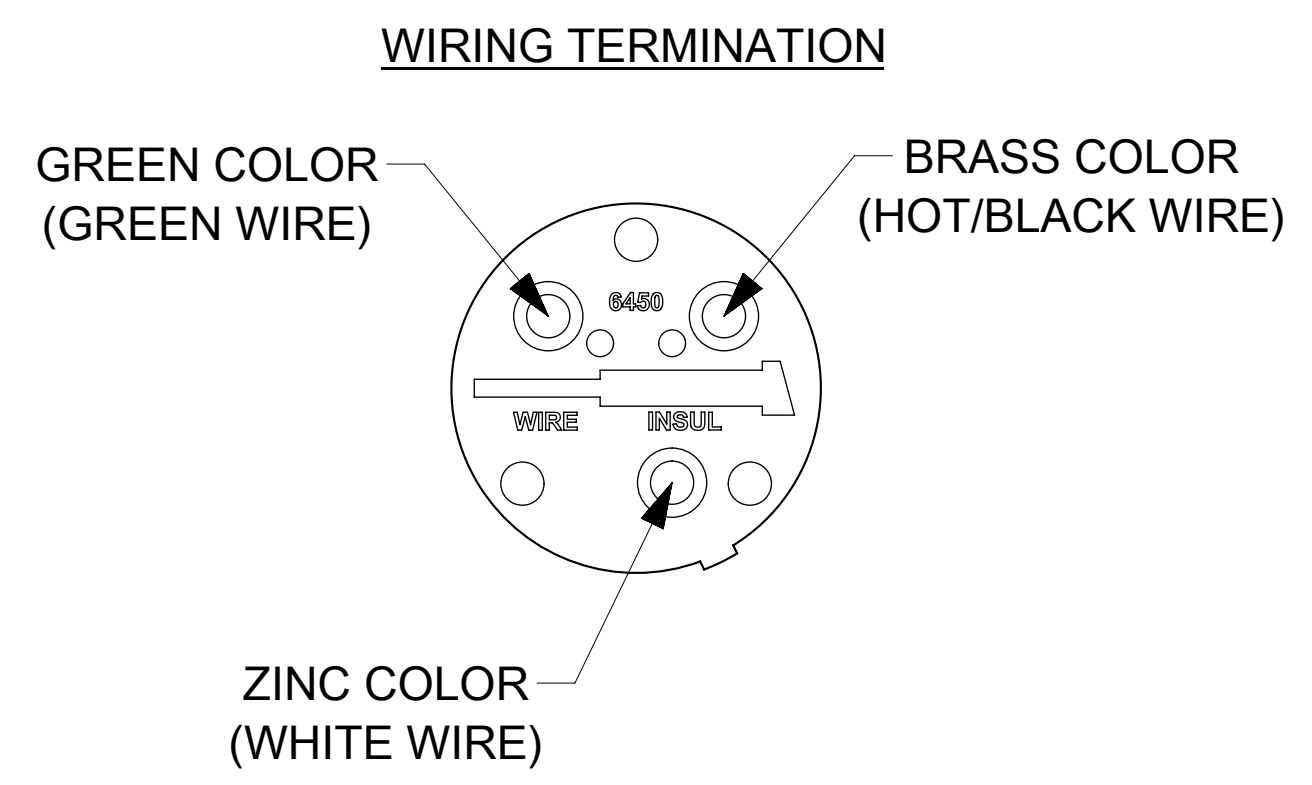
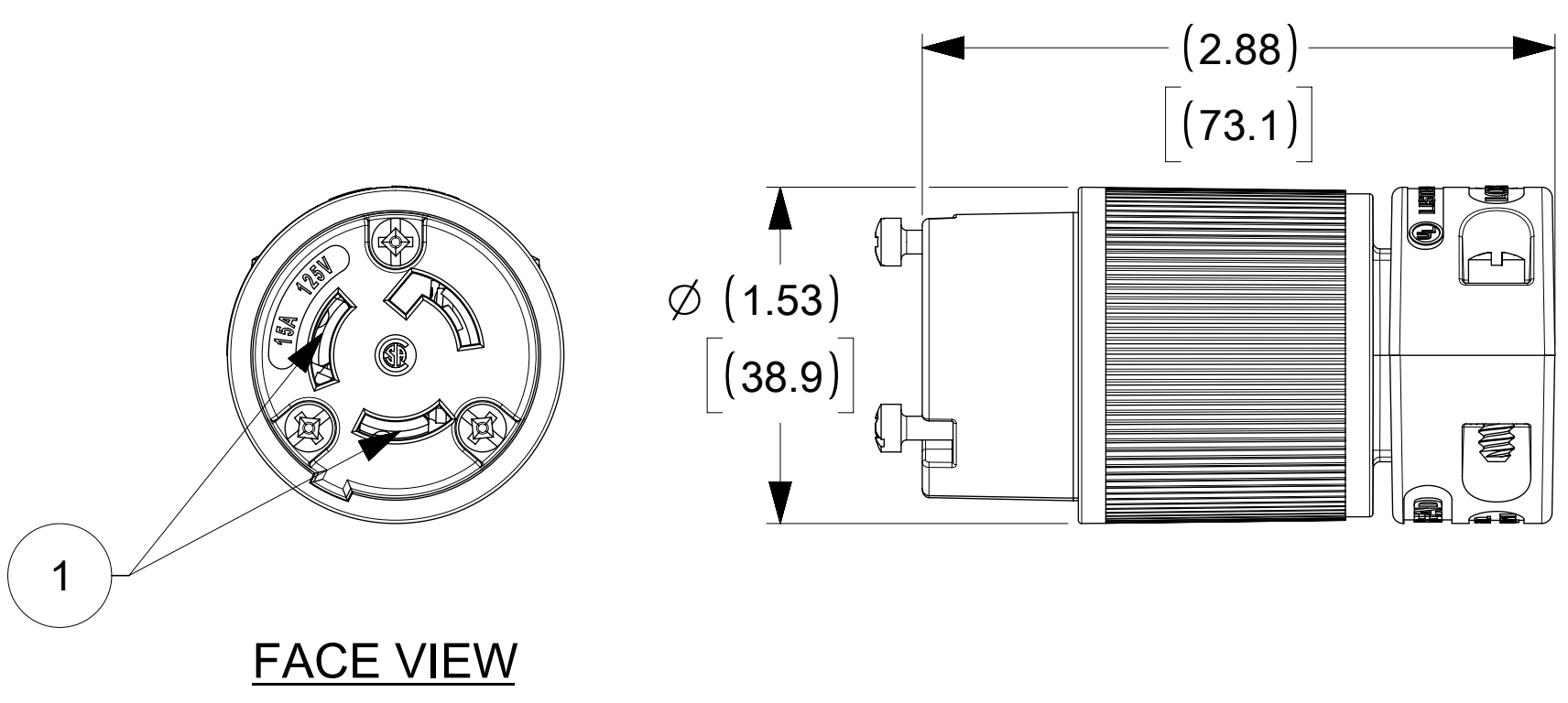
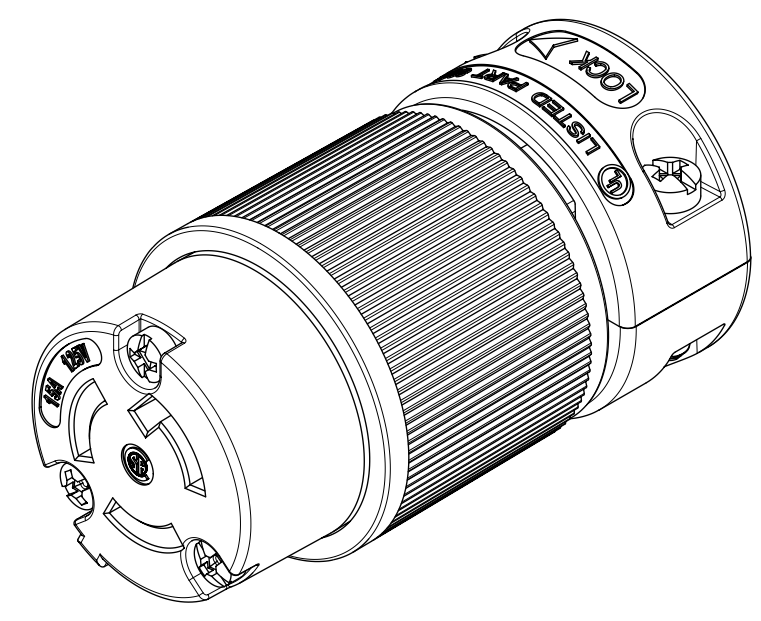
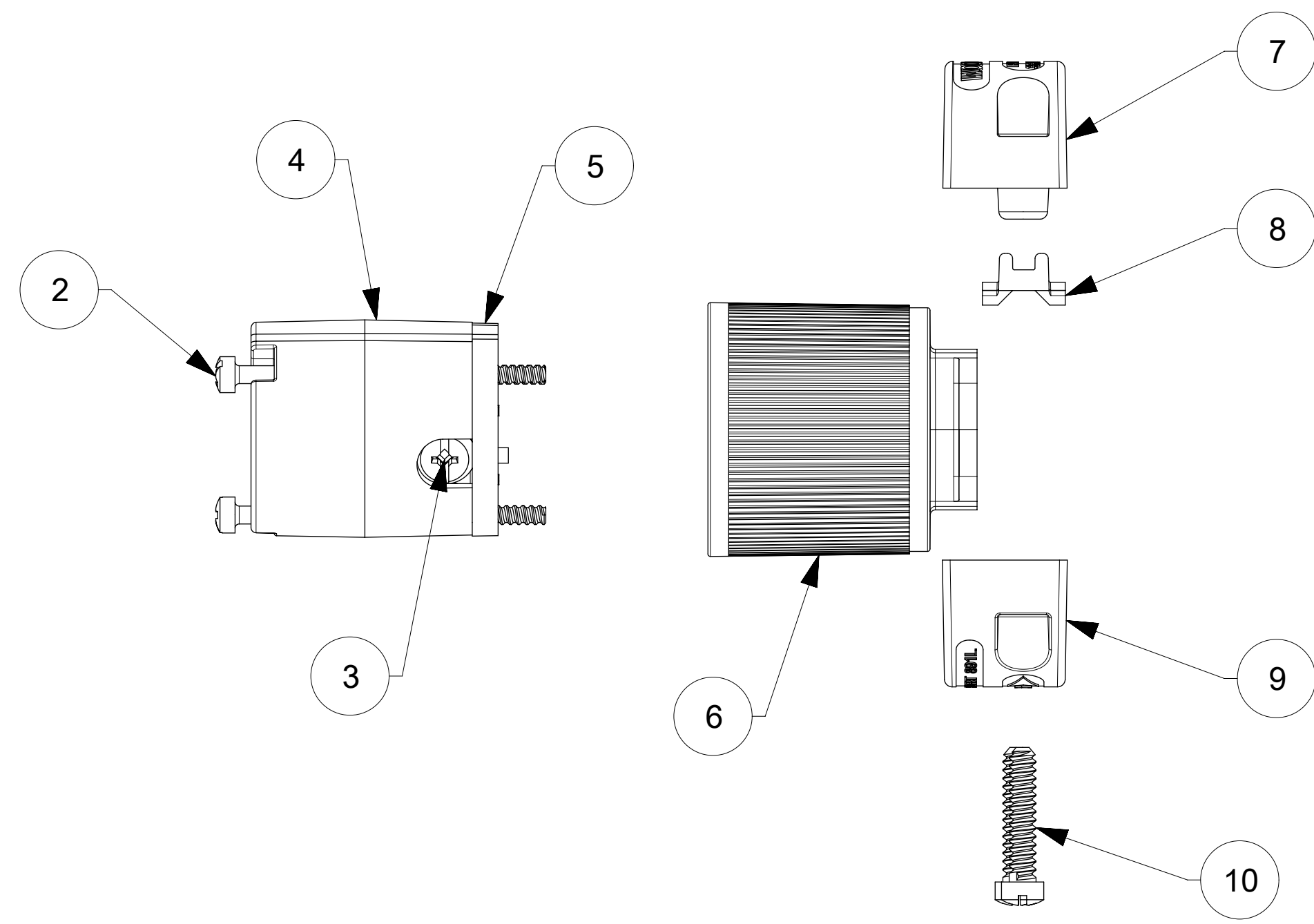


ORDER NO.	WOODHEAD NO.	COLOR
130144-0025	4729	BLACK
130144-0026	4729YL	YELLOW



ITEM NO.	DESCRIPTIONS	MATERIAL	QTY.
1	BLADES	BRASS, NICKEL PLATED	3
2	RETAINING SCREWS	STAINLESS STEEL	3
3	TERMINAL SCREWS/CLAMP ASSEMBLY	BRASS, ZINC PLATED	3
4	INSERT	NYLON	1
5	TERMINAL COVER	POLYCARBONATE	1
6	HOUSING	NYLON	1
7	CLAMP CORD MALE	NYLON	1
8	CLAMP CORD INSERT	NYLON	1
9	CLAMP CORD FEMALE	NYLON	1
10	RETAINING SCREWS	STEEL, ZINC PLATED	2

SYMBOLS		THIS DRAWING CONTAINS INFORMATION THAT IS PROPRIETARY TO MOLEX ELECTRONIC TECHNOLOGIES, LLC AND SHOULD NOT BE USED WITHOUT WRITTEN PERMISSION		CURRENT REV DESC: NEW RELEASE	
▽ = 0	INCH[MM]	SCALE	NTS		
▽ = 0	GENERAL TOLERANCES (UNLESS SPECIFIED)				
▽ = 0		MM	INCH		
▽ = 0	4 PLACES	±	±	EC NO: 621724	
▽ = 0	3 PLACES	±	±	DRWN: VBASUTHKARP 2019/03/20	
▽ = 0	2 PLACES	±	±	CHK'D: DNGUYEN62 2019/11/19	
▽ = 0	1 PLACE	±	±	APPR: HKNEELAND 2020/02/05	
▽ = 0	0 PLACES	±	±	INITIAL REVISION:	
▽ = 0	ANGULAR TOL	±	°	DRWN: VBASUTHKARP 2019/03/20	
▽ = 0	DRAFT WHERE APPLICABLE MUST REMAIN WITHIN DIMENSIONS		THIRD ANGLE PROJECTION	DRAWING	SERIES
▽ = 0				C-SIZE	130144
DOCUMENT STATUS		P1	RELEASE DATE	2020/02/05	17:39:53
DOCUMENT NUMBER		1301440025		DOC TYPE	PSD
MATERIAL NUMBER		SEE TABLE		DOC PART	000
CUSTOMER		GENERAL MARKET		REVISION	A
SHEET NUMBER		1 OF 1			