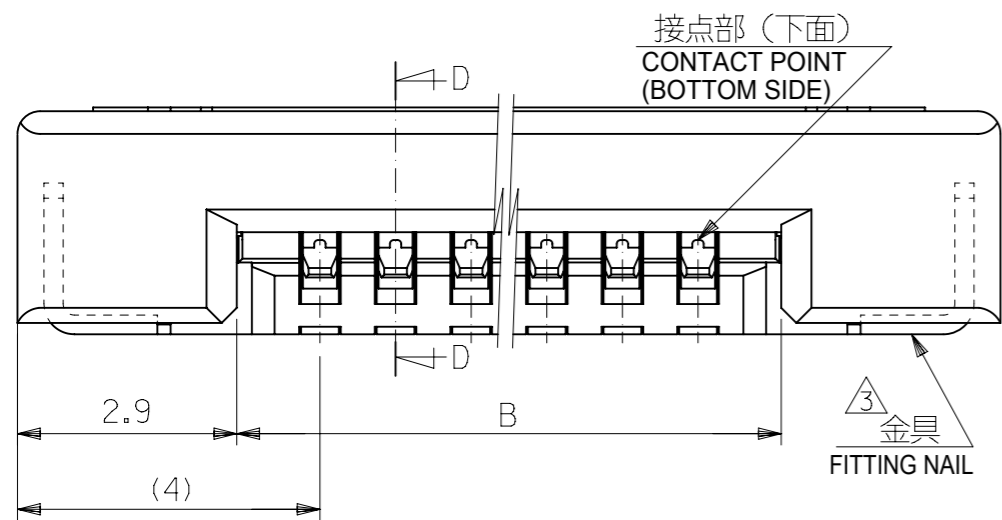
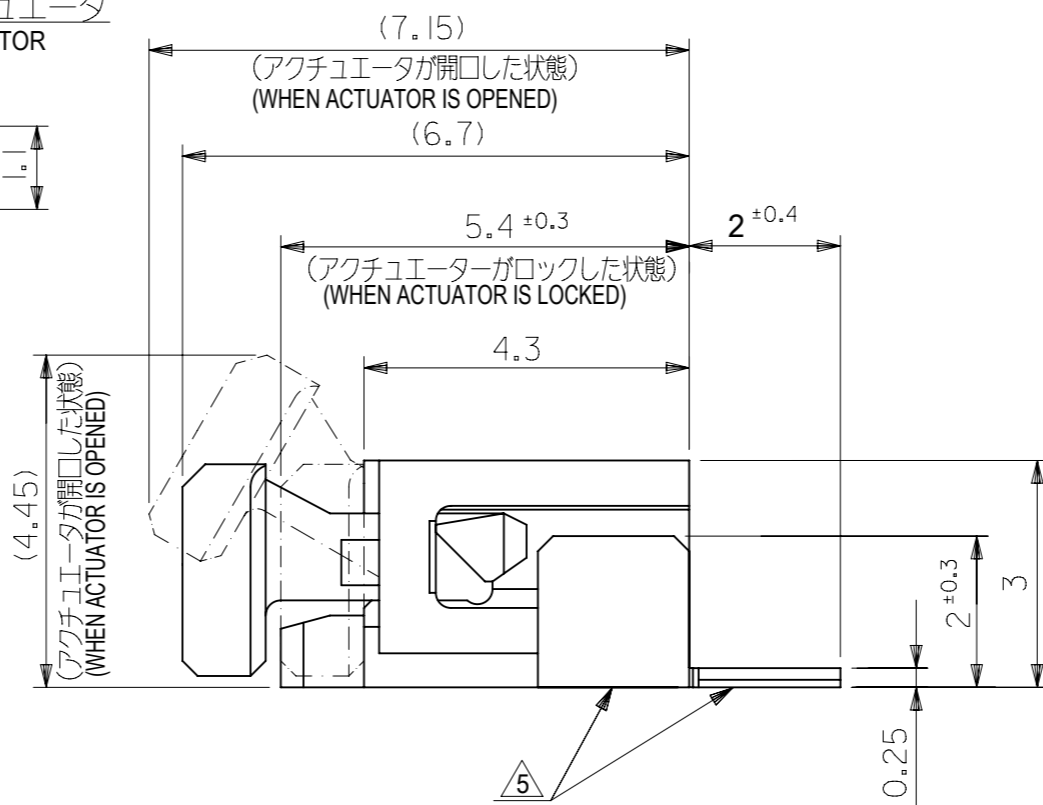


SECT. D-D



| | | | | |
|------------|------|----|--------------------------------------|----------|
| 35 | 31.2 | 29 | 52271-3069 | 30 |
| 34 | 30.2 | 28 | 52271-2969 | 29 |
| 33 | 29.2 | 27 | 52271-2869 | 28 |
| 32 | 28.2 | 26 | 52271-2769 | 27 |
| 31 | 27.2 | 25 | 52271-2669 | 26 |
| 30 | 26.2 | 24 | 52271-2569 | 25 |
| 29 | 25.2 | 23 | 52271-2469 | 24 |
| 28 | 24.2 | 22 | 52271-2369 | 23 |
| 27 | 23.2 | 21 | 52271-2269 | 22 |
| 26 | 22.2 | 20 | 52271-2169 | 21 |
| 25 | 21.2 | 19 | 52271-2069 | 20 |
| 24 | 20.2 | 18 | 52271-1969 | 19 |
| 23 | 19.2 | 17 | 52271-1869 | 18 |
| 22 | 18.2 | 16 | 52271-1769 | 17 |
| 21 | 17.2 | 15 | 52271-1669 | 16 |
| 20 | 16.2 | 14 | 52271-1569 | 15 |
| 19 | 15.2 | 13 | 52271-1469 | 14 |
| 18 | 14.2 | 12 | 52271-1369 | 13 |
| 17 | 13.2 | 11 | 52271-1269 | 12 |
| 16 | 12.2 | 10 | 52271-1169 | 11 |
| 15 | 11.2 | 9 | 52271-1069 | 10 |
| 14 | 10.2 | 8 | 52271-0969 | 9 |
| 13 | 9.2 | 7 | 52271-0869 | 8 |
| 12 | 8.2 | 6 | 52271-0769 | 7 |
| 11 | 7.2 | 5 | 52271-0669 | 6 |
| 10 | 6.2 | 4 | 52271-0569 | 5 |
| 9 | 5.2 | 3 | 52271-0469 | 4 |
| C | B | A | EMBOSSED PACKAGE オーダー番号 ORDER NO. | CIRCUITS |
| 52271-**29 | | | CONNECTOR SERIES NO. | |

THIS DRAWING CONTAINS INFORMATION THAT IS PROPRIETARY TO MOLEX ELECTRONIC TECHNOLOGIES, LLC AND SHOULD NOT BE USED WITHOUT WRITTEN PERMISSION

| GENERAL TOLERANCES (UNLESS SPECIFIED) | |
|--|--------|
| 10 UNDER | ± 0.2 |
| 10 OVER 30 UNDER | ± 0.25 |
| 30 OVER | ± 0.3 |
| ANGULAR ± 3 ° | |
| DRAFT WHERE APPLICABLE MUST REMAIN WITHIN DIMENSIONS | |

| | |
|---------------------------|-----------------|
| CURRENT REV DESC: REVISED | |
| EC NO: 600129 | 2018/04/11 |
| DRWN: YCHEN128 | 2018/04/12 |
| CHK'D: KTAKAHASHI | 2018/04/13 |
| APPR: NUKITA | 2018/04/13 |
| INITIAL REVISION: | |
| DRWN: MUMEDA | 2005/03/29 |
| APPR: NUKITA | 2005/04/06 |
| THIRD ANGLE PROJECTION | DRAWING |
| A3-SIZE | SERIES |
| 52271 | MATERIAL NUMBER |
| SEE TABLE | CUSTOMER |
| GENERAL MARKET | SHEET NUMBER |
| 1 OF 2 | |

molex

1.0 FPC CONN ZIF SMT (BOTTOM CONTACT) - LEAD FREE-

PRODUCT CUSTOMER DRAWING

DOCUMENT NUMBER: SD-52271-038

DOC TYPE: PSD

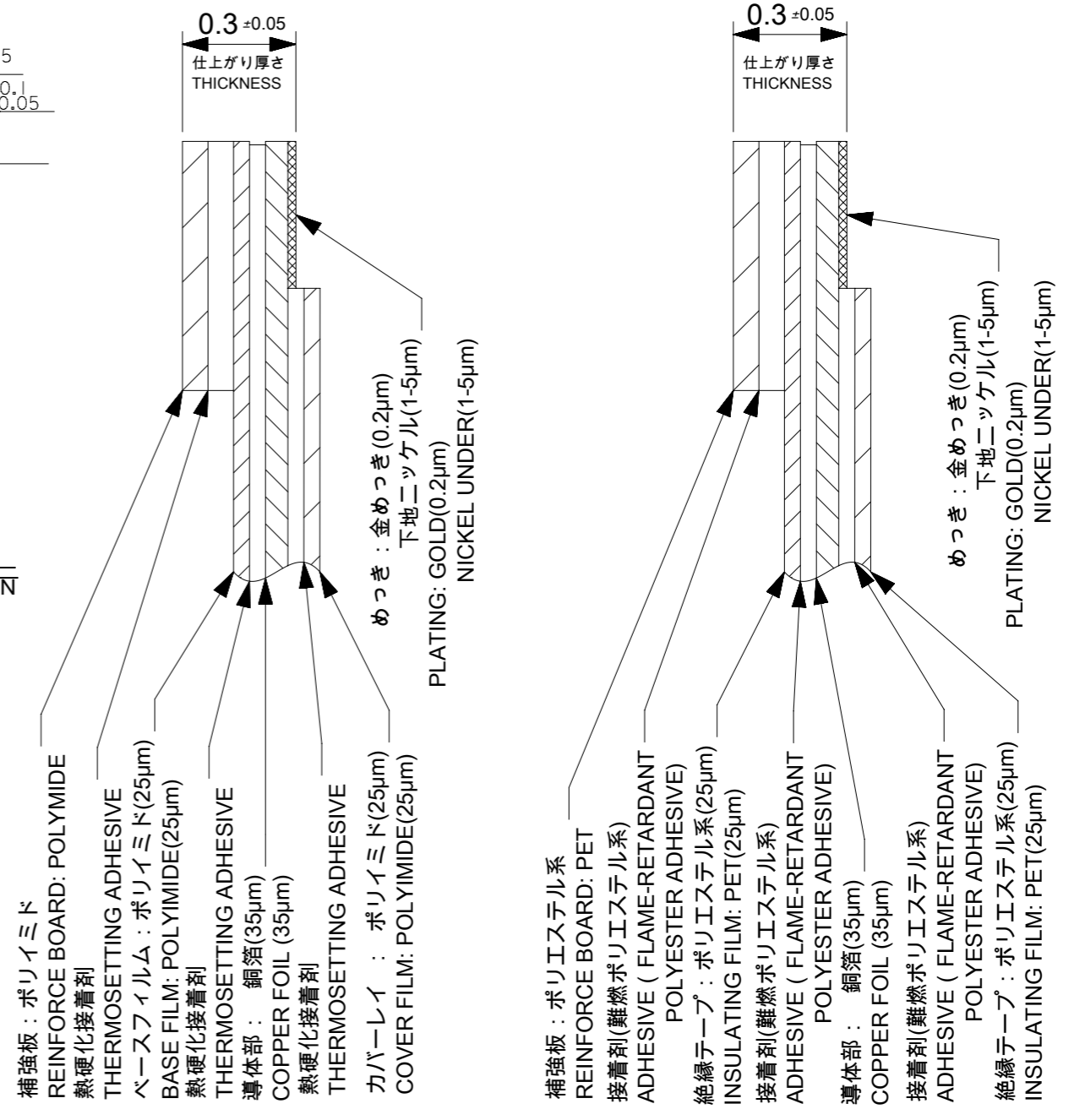
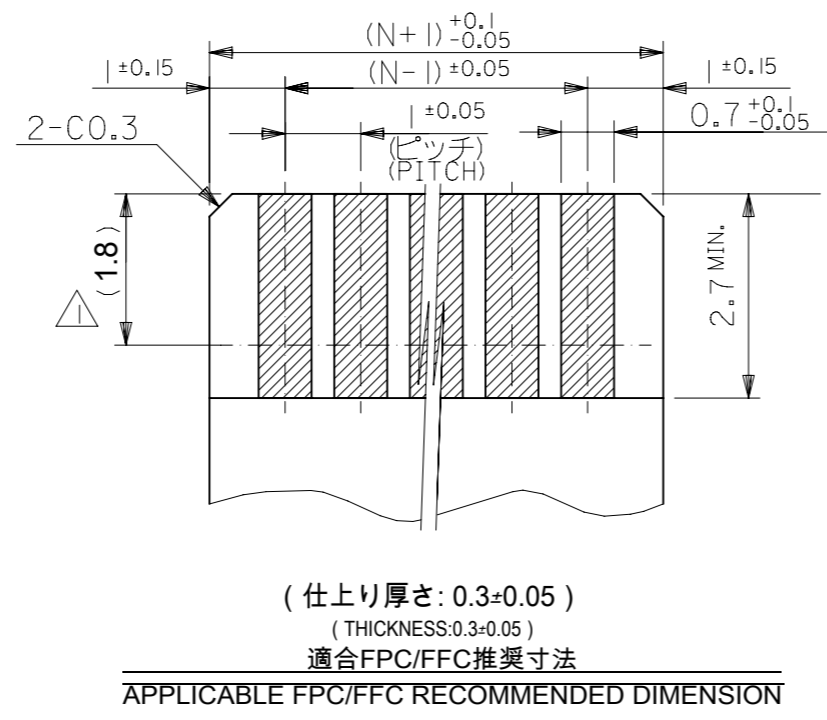
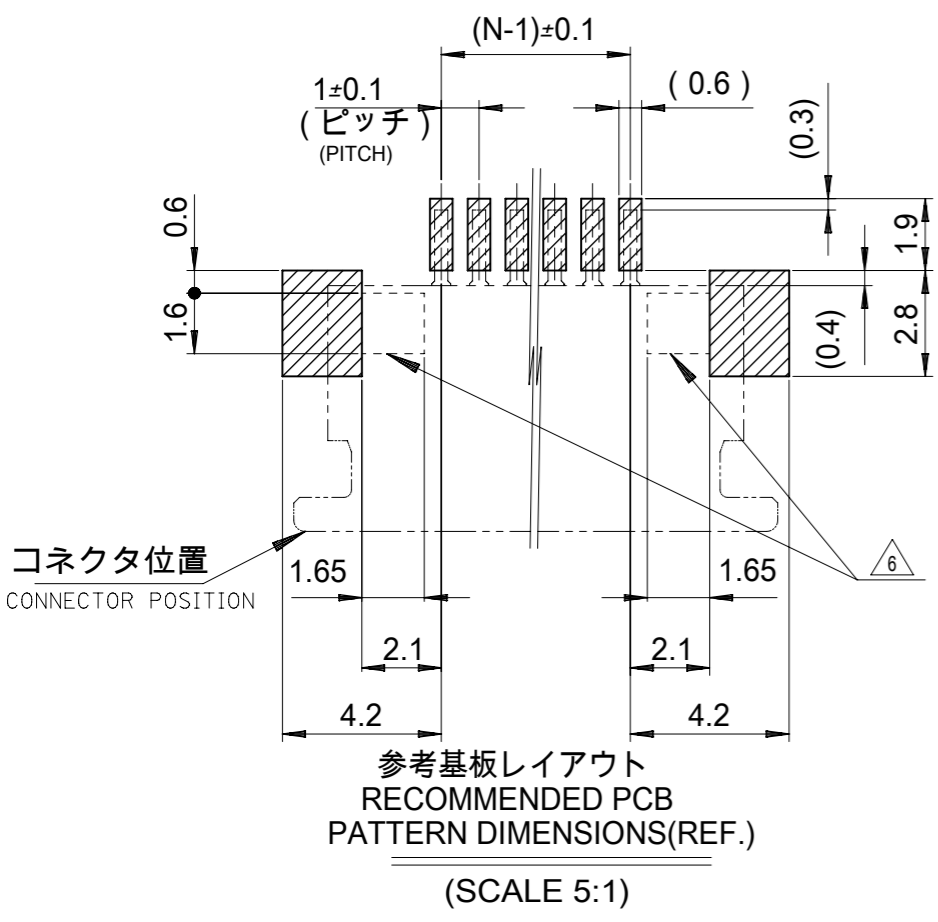
DOC PART: 001

REVISION: G

SEE TABLE

GENERAL MARKET

1 OF 2



FPC構成推奨仕様
RECOMMENDED STRUCTURE OF FPC

FFC構成推奨仕様
RECOMMENDED STRUCTURE OF FFC

注記: NOTES

- 1. 接点部までの嵌合長さ。
LENGTH TO CONTACT POINT.
- 2. 使用材料 MATERIAL
ハウジング : 46 NYLON、UL94V-0
HOUSING
アクチュエータ : PPS、UL94V-0
ACTUATOR
ターミナル : リン青銅(t=0.25)
TERMINAL : PHOS-BRO (t = 0.25)
メッキ : 接点部 : 金メッキ : 0.1マイクロメートル以上
PLATING CONTACT PORTION: GOLD PLATING: 0.1 MICROMETER MIN.
: 半田付け部 : 錫メッキ : 1.0マイクロメートル以上
SOLDER PORTION: TIN PLATING: 1.0 MICROMETER MINIMUM
: 下地 : ニッケルメッキ : 1.0マイクロメートル以上
UNDER PLATING : NICKEL PLATING : 1.0 MICROMETER MIN.
金具 : 銅合金(t=0.25)
FITTING NAIL COPPER ALLOY (t = 0.25)
メッキ : 錫メッキ : 1.0マイクロメートル以上
PLATING TIN PLATING : 1.0 MICROMETER MIN.
: 下地 : ニッケルメッキ : 1.0マイクロメートル以上
UNDER PLATING: NICKEL PLATING: 1.0 MICROMETER MIN.
- 3. パターンはくり止め用金具
FITTING NAIL FOR PREVENTION OF FOOT PRINT PEELING OF P.C.B PATTERN.
- 4. エンボステープ梱包時はアクチュエータがロックした状態とする。
IN THE PACKAGE, ACTUATOR OF PART NO.54550-**29 SHOULD BE LOCKED.
- 5. テール及び金具の平坦度は、0.15以下とする。
TAIL AND NAIL COPLANARITY TO BE 0.15 MAXIMUM.
- 6. パターン書き込み禁止エリア。
NO FOOT PRINT AREA.

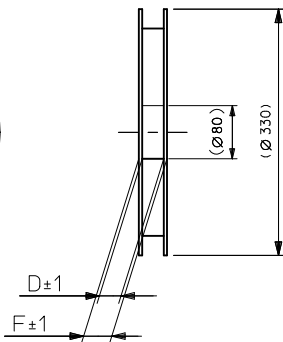
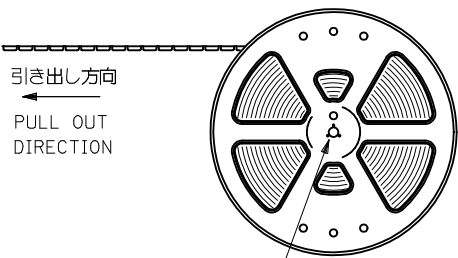
FPC/FFCについて:

抜き方向は、導体側から補強板側を推奨致します。
尚、接着剤の接点部への付着は導通不良の原因になりますので、
染み出しが無い様お願い致します。

ABOUT FPC/FFC:
RECOMMENDED PUNCHER DIRECTION:
FROM CONDUCTOR SIDE TO STIFFNER SIDE
PLEASE PUT APPROPRIATE AMOUNT OF ADHESIVE ON ADHEREND
BECAUSE THERE IS A POSSIBILITY THAT THE EXTRA ADHESIVE
CAUSES THE DEFECT IN ELECTRICAL CONTINUITY.

| GENERAL TOLERANCES (UNLESS SPECIFIED) | |
|--|--------|
| 10 UNDER | ± 0.2 |
| 10 OVER 30 UNDER | ± 0.25 |
| 30 OVER | ± 0.3 |
| ANGULAR | ± 3 ° |
| DRAFT WHERE APPLICABLE MUST REMAIN WITHIN DIMENSIONS | |

| | | | |
|---|--------|--|----------------------------|
| THIS DRAWING CONTAINS INFORMATION THAT IS PROPRIETARY TO MOLEX ELECTRONIC TECHNOLOGIES, LLC AND SHOULD NOT BE USED WITHOUT WRITTEN PERMISSION | | CURRENT REV DESC: REVISED | |
| DIMENSION UNITS | SCALE | molex | |
| mm | 10:1 | 1.0 FPC CONN ZIF SMT (BOTTOM CONTACT) - LEAD FREE- | |
| GENERAL TOLERANCES (UNLESS SPECIFIED) | | PRODUCT CUSTOMER DRAWING | |
| ANGULAR TOL | ± 30 ° | DOCUMENT NUMBER | DOC TYPE DOC PART REVISION |
| 4 PLACES | ± 0.2 | SD-52271-038 | PSD 001 G |
| 3 PLACES | ± 0.25 | SEE TABLE GENERAL MARKET | |
| 2 PLACES | ± 0.3 | SHEET NUMBER 2 OF 2 | |
| 1 PLACE | ± | | |
| 0 PLACES | ± | | |
| DRAFT WHERE APPLICABLE MUST REMAIN WITHIN DIMENSIONS | | | |
| THIRD ANGLE PROJECTION | | | |
| DRAWING | SERIES | | |
| A3-SIZE | 52271 | | |



NOTES

1. 製品番号 52271-**29 の梱包状態はアクチュエータがロックした状態とする。
詳細寸法については 図面 SD-52271-038 を参照下さい。
IN THE PACKAGE, ACTUATOR OF PART NO. 52271-**29 SHOULD BE LOCKED
RE DETAILED DIMENSIONS, SEE SD-52271-038.

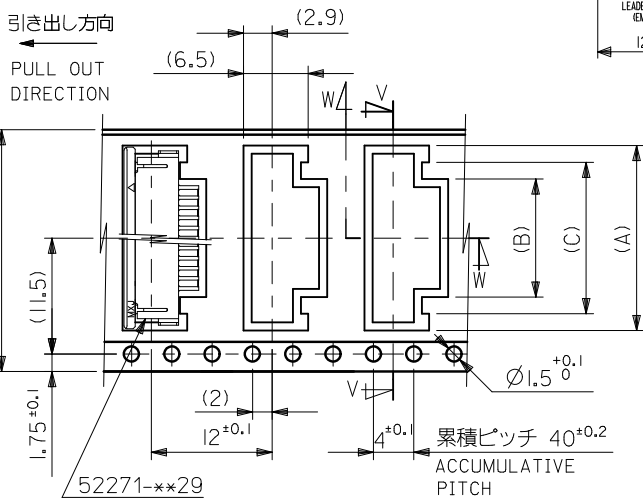
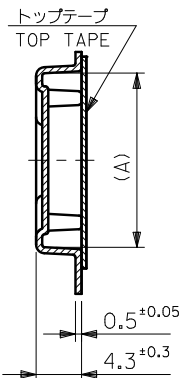
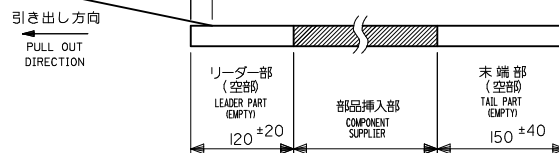
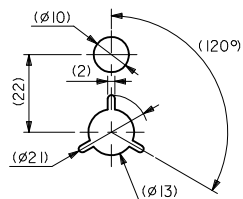
2. 梱包数量：1000個/リール
NUMBER OF CONNECTORS：1000 PCS/REEL

3. リードテープ長さ LEAD TAPE LENGTH
トップテープ リーダー部 TOP TAPE LEADER PART 175 ±25
トップテープ 未接層部 TOP TAPE NON-BONDED PART 25 ±5

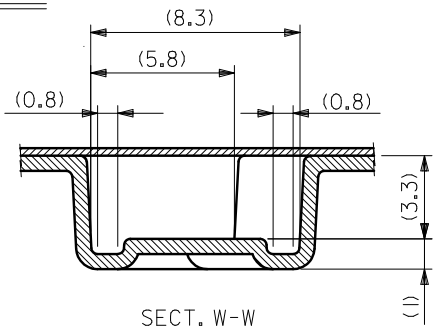
4. カバーテープの剥離強度については、IEC60286-3に準拠
COVER TAPE PEEL FORCE IS DEFINED BY IEC60286-3

5. 材料 (MATERIAL)
キャリアテープ (CARRIER TAPE)：ポリプロピレン (POLYPROPYLENE)
トップテープ (TOP TAPE)：PET, PE, PEF
リール (REEL)：ポリスチレン (PS) <リサイクル材を含む>
POLYSTYREN (PS) <RECYCLE MATERIAL CONTAINED>

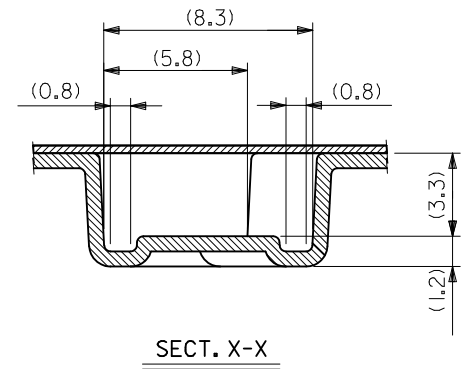
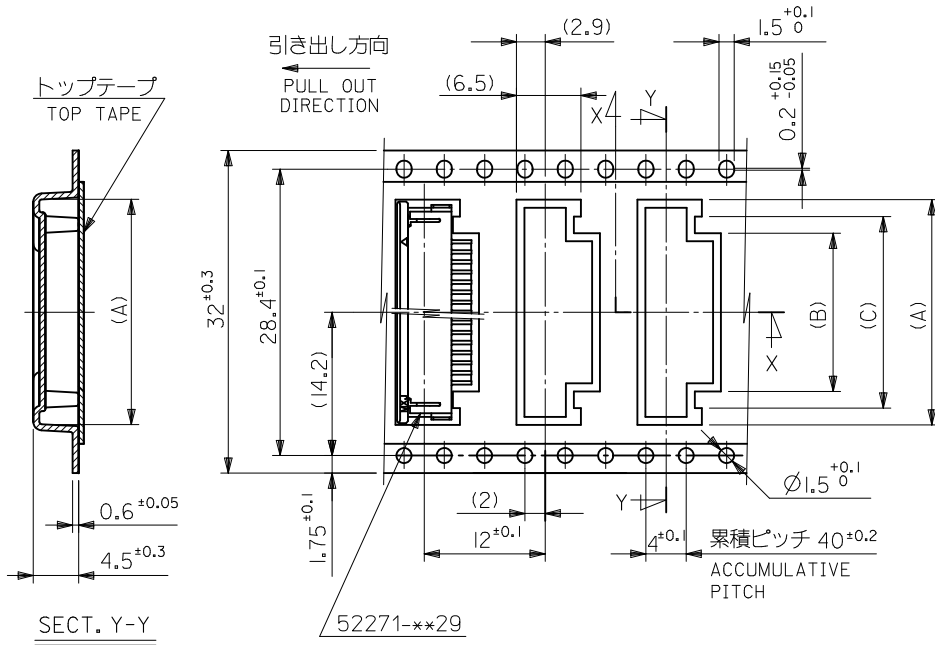
6. 本製品は乾燥剤入り、ハイバリア梱包仕様である。
THIS PRODUCT IS HIGH BARRIER PACKAGE WITH DESICCANT.



| | | | | | | | |
|----|------|------|-----------------------------|------|------|------------|----|
| 24 | 29.4 | 25.4 | 15 | 11.4 | 18.3 | 52271-1169 | 11 |
| | | | 14 | 10.4 | 17.3 | 52271-1069 | 10 |
| | | | 12 | 8.4 | 15.3 | 52271-0869 | 8 |
| | | | 11 | 7.4 | 14.3 | 52271-0769 | 7 |
| | | | 10 | 6.4 | 13.3 | 52271-0669 | 6 |
| | | | 9 | 5.4 | 12.3 | 52271-0569 | 5 |
| | | | 8 | 4.4 | 11.3 | 52271-0469 | 4 |
| | | | キャリアテープ幅 CARRIER TAPE WIDTH | | | F | D |

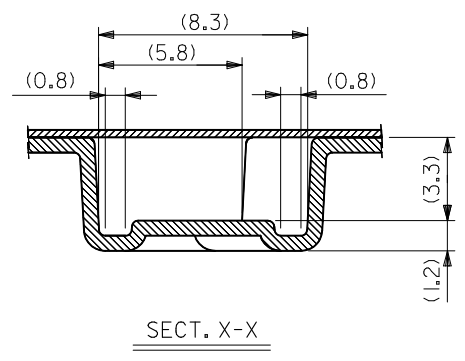
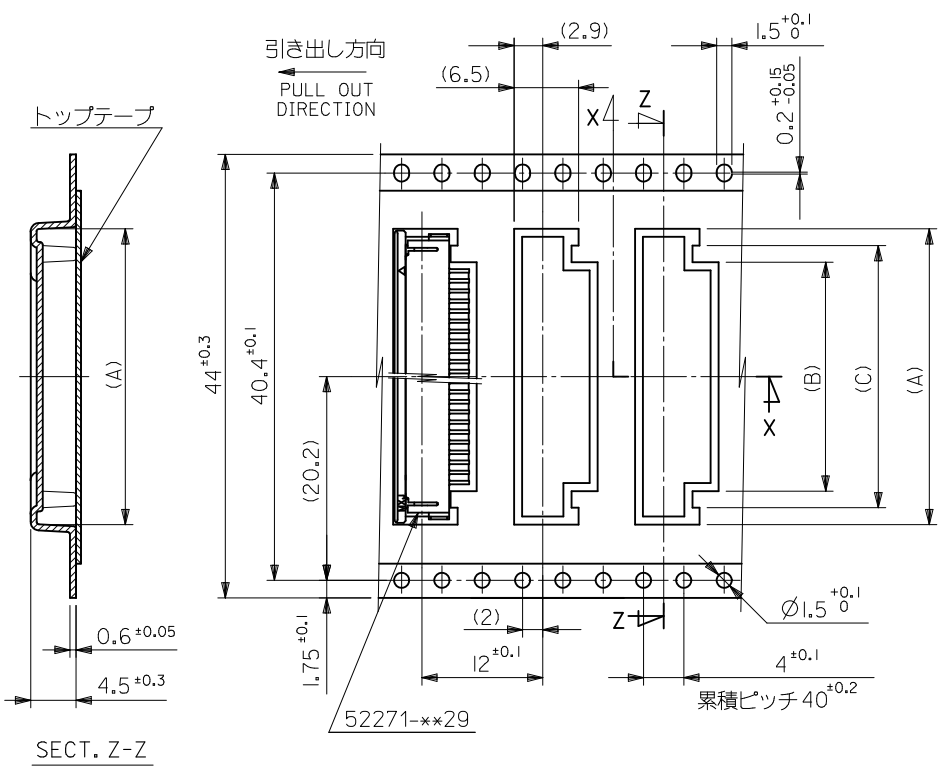


| | | | | | | | | | | | |
|--|--------------------|--|-------|----------------------------|--------------------|---|--|------------------------|--|-------------------------|--|
| REVISED EC NO: J2010-2474 DRWN: YUHASEGAWA 2010/06/08 CHKD: K. TOYODA 2010/06/08 APPR: KMORI KAWA 2010/06/09 | DESCRIPTION REV | GENERAL TOLERANCES (UNLESS SPECIFIED) | | DIMENSION STYLE MM ONLY | | SCALE --- | | DESIGN UNITS METRIC | | MODEL NO. 52271-**69 | |
| | | 10 UNDER | ±0.2 | DRAWN BY M. UEDA | DATE 2005/03/08 | TITLE EMBOSSED TAPE PACKAGE FOR 52271-**29 -LEAD FREE- | | | | | |
| | | 10 OVER 30 UNDER | ±0.25 | CHECKED BY K. TOYODA | DATE 2005/03/08 | MOLEX INCORPORATED DOCUMENT NO. SD-52271-039 SHEET NO. 1 OF 4 | | | | | |
| | | 30 OVER | ±0.3 | APPROVED BY N. UKITA | DATE 2005/03/08 | | | | | | |
| ANGULAR ±3 ° | | DRAFT WHERE APPLICABLE MUST REMAIN WITHIN DIMENSIONS | | MATERIAL NO. SEE TABLE | | THIS DRAWING CONTAINS INFORMATION THAT IS PROPRIETARY TO MOLEX INCORPORATED AND SHOULD NOT BE USED WITHOUT WRITTEN PERMISSION | | | | | |



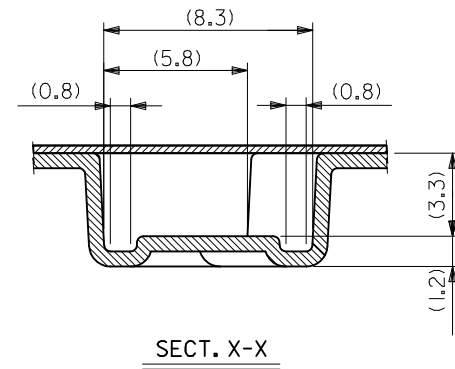
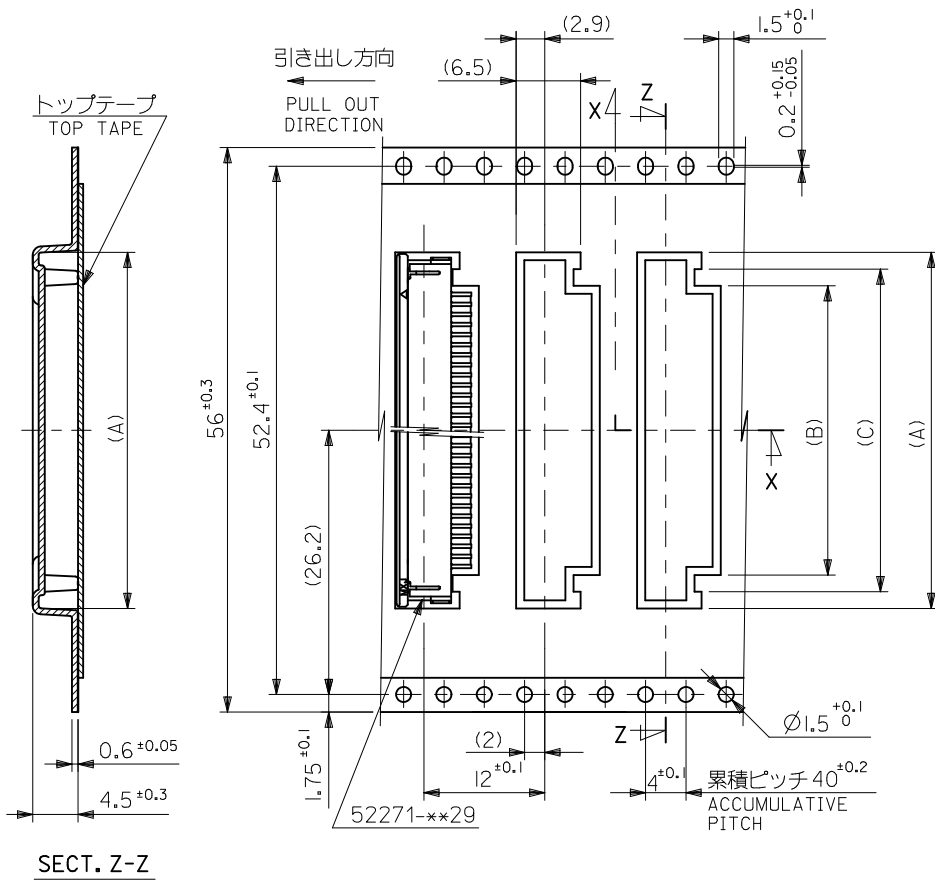
| | | | | | | | | | |
|--------------------------------|------|------|----|------|-------|------------|-----|--------------|------------|
| 32 | 37.4 | 33.4 | 20 | 16.4 | 23.35 | 52271-1669 | 16 | | |
| | | | 19 | 15.4 | 22.35 | 52271-1569 | 15 | | |
| | | | 18 | 14.4 | 21.35 | 52271-1469 | 14 | | |
| | | | 17 | 13.4 | 20.35 | 52271-1369 | 13 | | |
| | | | 16 | 12.4 | 19.35 | 52271-1269 | 12 | | |
| キャリアテープ幅 CARRIER TAPE WIDTH | | | F | D | (C) | (B) | (A) | MATERIAL NO. | 種数 CKT. |

| | | | | | | | | | | | | |
|---|--------------------|---|-------|--|------|---|--|------------------------|--|------------------------|--|--|
| REVISED EC NO: J2010-2474 DRWN: YUHASEGAWA 2010/06/08 CHKD: K. TOYODA 2010/06/08 APPR: KMORIKAWA 2010/06/09 | DESCRIPTION REV | GENERAL TOLERANCES (UNLESS SPECIFIED) | | DIMENSION STYLE MM ONLY | | SCALE --- | | DESIGN UNITS METRIC | | THIRD ANGLE PROJECTION | | |
| | | 10 UNDER | ±0.2 | DRAWN BY | DATE | TITLE EMBOSSD TAPE PACKAGE FOR 52271-**-29 -LEAD FREE- | | | | | | |
| | | 10 OVER 30 UNDER | ±0.25 | CHECKED BY | DATE | MOLEX INCORPORATED | | | | | | |
| | | 30 OVER | ±0.3 | APPROVED BY | DATE | MATERIAL NO. | | DOCUMENT NO. | | SHEET NO. | | |
| | | ANGULAR ±3 ° | | DRAFT WHERE APPLICABLE MUST REMAIN WITHIN DIMENSIONS | | SEE TABLE | | SD-52271-039 | | 2 OF 4 | | |
| SIZE A3 | | THIS DRAWING CONTAINS INFORMATION THAT IS PROPRIETARY TO MOLEX INCORPORATED AND SHOULD NOT BE USED WITHOUT WRITTEN PERMISSION | | | | | | | | | | |



| | | | | | | | | | |
|----------|------|------|----|------|-------|------------|-----|--------------|----|
| 44 | 49.4 | 45.4 | 31 | 27.4 | 34.35 | 52271-2769 | 27 | | |
| | | | 29 | 25.4 | 32.35 | 52271-2569 | 25 | | |
| | | | 28 | 24.4 | 31.35 | 52271-2469 | 24 | | |
| | | | 26 | 22.4 | 29.35 | 52271-2269 | 22 | | |
| | | | 25 | 21.4 | 28.35 | 52271-2169 | 21 | | |
| | | | 24 | 20.4 | 27.35 | 52271-2069 | 20 | | |
| | | | 23 | 19.4 | 26.35 | 52271-1969 | 19 | | |
| | | | 22 | 18.4 | 25.35 | 52271-1869 | 18 | | |
| | | | 21 | 17.4 | 24.35 | 52271-1769 | 17 | | |
| キャリアテープ幅 | | | F | D | (C) | (B) | (A) | MATERIAL NO. | 極数 |

| | | | | | | | | | | |
|---|--------------------|--|-------|----------------------------|--------------------|---|------------------------|---|--|--|
| REVISED EC NO: J2010-2474 DRWN: YUHASEGAWA 2010/06/08 CHKD: K. TOYODA 2010/06/08 APPR: KMORIKAWA 2010/06/09 | DESCRIPTION REV | GENERAL TOLERANCES (UNLESS SPECIFIED) | | DIMENSION STYLE MM ONLY | | SCALE --- | DESIGN UNITS METRIC | THIRD ANGLE PROJECTION | | |
| | | 10 UNDER | ±0.2 | DRAWN BY M. UMEDA | DATE 2005/03/08 | TITLE EMBOSSD TAPE PACKAGE FOR 52271-**-29 -LEAD FREE- | | | | |
| | | 10 OVER 30 UNDER | ±0.25 | CHECKED BY K. TOYODA | DATE 2005/03/08 | MOLEX INCORPORATED | | | | |
| | | 30 OVER | ±0.3 | APPROVED BY N. UKITA | DATE 2005/03/08 | DOCUMENT NO. SD-52271-039 | | | | |
| ANGULAR ±3 ° | | DRAFT WHERE APPLICABLE MUST REMAIN WITHIN DIMENSIONS | | MATERIAL NO. SEE TABLE | | SHEET NO. 3 OF 4 | | THIS DRAWING CONTAINS INFORMATION THAT IS PROPRIETARY TO MOLEX INCORPORATED AND SHOULD NOT BE USED WITHOUT WRITTEN PERMISSION | | |



SECT. Z-Z

SECT. X-X

| | | | | | | | |
|--------------------------------|------|------|----|------|-------|--------------|------------|
| 56 | 61.4 | 57.4 | 34 | 30.4 | 37.35 | 52271-3069 | 30 |
| | | | 32 | 28.4 | 35.35 | 52271-2869 | 28 |
| キャリアテープ幅 CARRIER TAPE WIDTH | | | F | D | (C) | (B) | (A) |
| | | | | | | MATERIAL NO. | 極数 CKT. |

| | | | | | | | | | | | |
|--|--|--|--|----------------------------|--|--|--|------------------------|--|---------------------------|--|
| REVISED EC NO: J2010-2474 DRWN: YUHASEGAWA 2010/06/08 CHK'D: K. TOYODA 2010/06/08 APPR: KMORIKAWA 2010/06/09 | DESCRIPTION 10 UNDER ±0.2 10 OVER 30 UNDER ±0.25 30 OVER ±0.3 ANGULAR ±3 ° DRAFT WHERE APPLICABLE MUST REMAIN WITHIN DIMENSIONS | GENERAL TOLERANCES (UNLESS SPECIFIED) | | DIMENSION STYLE MM ONLY | | SCALE --- | | DESIGN UNITS METRIC | | THIRD ANGLE PROJECTION | |
| | | DRAWN BY | | DATE | | TITLE | | | | | |
| | | M.UMEDA | | 2005/03/08 | | EMBOSSED TAPE PACKAGE FOR 52271-**29 -LEAD FREE- | | | | | |
| | | CHECKED BY | | DATE | | APPROVED BY | | | | | |
| | | K.TOYODA | | 2005/03/08 | | N.UKITA | | 2005/03/08 | | MATERIAL NO. | |
| SEE TABLE | | SD-52271-039 | | SHEET NO. | | 4 OF 4 | | | | | |
| THIS DRAWING CONTAINS INFORMATION THAT IS PROPRIETARY TO MOLEX INCORPORATED AND SHOULD NOT BE USED WITHOUT WRITTEN PERMISSION | | | | | | | | | | | |