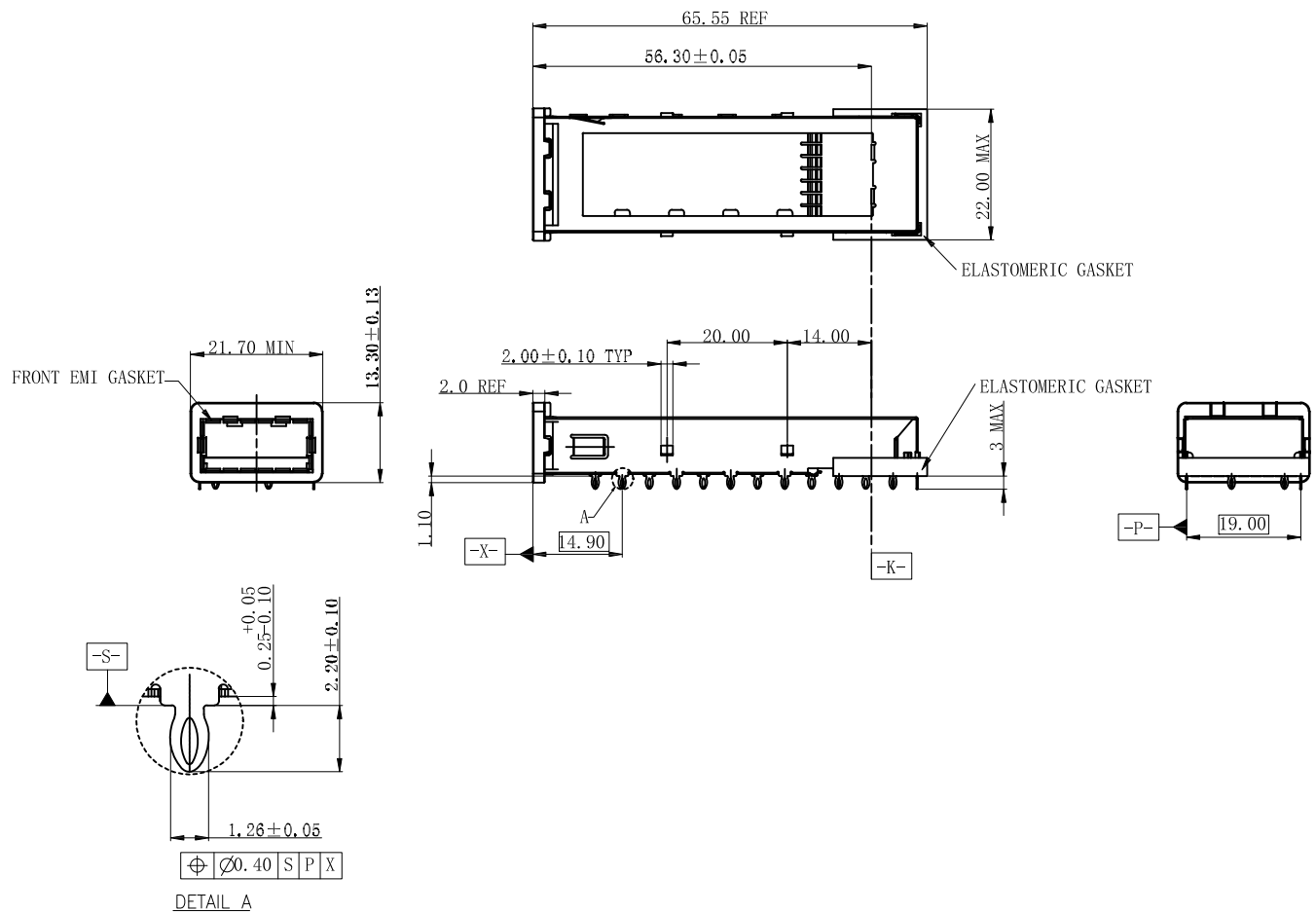


APPROVED: _____
 DATE: _____ TITLE: _____

Rev	AWO #	Description	Date	Appr
-		RELEASED	6/8/21	



SPECIFICATIONS:
 Material:
 Cage: Copper Alloy
 Electrometric Gasket: Conductive Rubber
 Cage Rear EMI Gasket: Conductive Foam
 Front Flange: Zinc Alloy, Nickel plated
 Front EMI Gasket: Copper Alloy, Tin over Nickel underplate overall
 Temperature Rating:
 Operating temperature: -40°C to +85°C
 Environmental:
 Lead free, RoHS compliant



UNLESS OTHERWISE SPECIFIED ALL DIMENSIONS ARE MILLIMETERS. TOLERANCES: EXCEPT AS NOTED

mm	Angles
.X ± .25	± 2°
.XX ± .13	
.XXX ± .10	

DRAWN	WX	6/8/21
CHECKED	RC	6/8/21
APPROVED		

THIS DRAWING CONTAINS INFORMATION THAT IS PROPRIETARY AND SHOULD NOT BE USED WITHOUT PRIOR WRITTEN PERMISSION FROM ADAM TECH

ADAM TECH 909 Rahway Avenue, Union, NJ 07083
 Phone: 908-687-5000 Fax: 908-687-5710

TITLE 10 GIGABIT SMALL FORM FACTOR CAGE, 1PORT DIP TYPE, EMI CLIP W/ GASKET		
SIZE X	PART NO. XFC-1-CS1-EMI	REV. -
REF: S00005C	SCALE: NTS	SHEET 1 OF 2

6

5

4

3

2

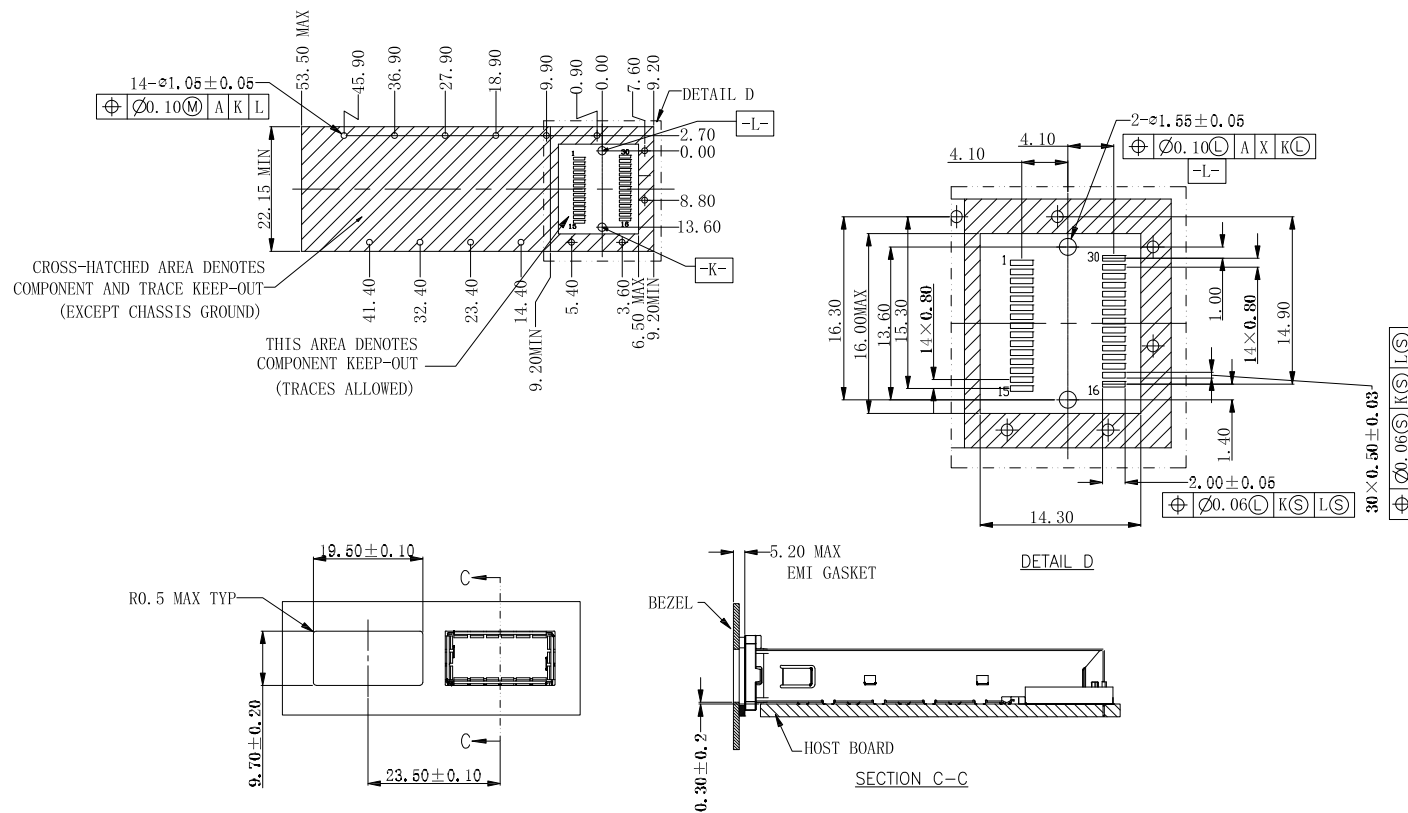
1

APPROVED: _____

DATE: _____ TITLE: _____

Rev	AWO #	Description	Date	Appr
-----	-------	-------------	------	------

SEE SHT 1 OF 2 FOR REVISION



D

D

C

C

B

B

A

A

UNLESS OTHERWISE SPECIFIED ALL DIMENSIONS ARE MILLIMETERS. TOLERANCES: EXCEPT AS NOTED

mm	Angles
.X ± .25	±2'
.XX ± .13	
.XXX ± .10	

DRAWN	WX	6/8/21
CHECKED	RC	6/8/21
APPROVED		

THIS DRAWING CONTAINS INFORMATION THAT IS PROPRIETARY AND SHOULD NOT BE USED WITHOUT PRIOR WRITTEN PERMISSION FROM ADAM TECH

ADAM TECH 909 Rahway Avenue, Union, NJ 07083
 Phone: 908-687-5000 Fax: 908-687-5710

TITLE		
10 GIGABIT SMALL FORM FACTOR CAGE, 1PORT DIP TYPE, EMI CLIP W/ GASKET		
SIZE	PART NO.	REV.
X	XFC-1-CS1-EMI	-
REF: S00005C	SCALE: NTS	SHEET 2 OF 2

6

5

4

3

2

1