

## X93154

Low Noise, Low Power, 32 Taps Digitally Controlled Potentiometer (XDCP™)

FN8180  
 Rev 4.00  
 July 18, 2014

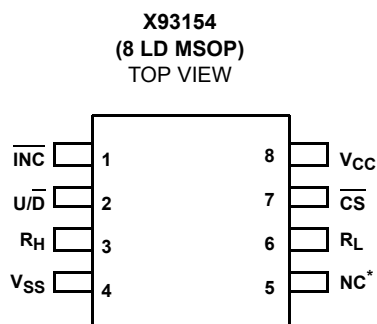
The Intersil X93154 is a digitally controlled potentiometer (XDCP). The device consists of a resistor array, wiper switches, a control section, and nonvolatile memory. The wiper position is controlled by a 3-wire interface.

The potentiometer is implemented by a resistor array composed of 31 resistive elements and a wiper switching network. The position of the wiper element is controlled by the  $\overline{CS}$ ,  $U/\overline{D}$ , and  $\overline{INC}$  inputs. The position of the wiper can be stored in nonvolatile memory and then be recalled upon during a subsequent power-up operation.

The device is connected as a two-terminal variable resistor and can be used in a wide variety of applications including:

- Bias and Gain Control
- LCD Contrast Adjustment

### Pinout



\*NC can be left unconnected, or connected to any voltage between  $V_{SS}$  and  $V_{CC}$

### Features

- Solid-State Potentiometer
- 3-Wire Serial Interface
- 32 Wiper Tap Points
  - Wiper Position Stored in Nonvolatile Memory and Recalled on Power-up
- 31 Resistive Elements
  - Temperature Compensated
  - Maximum Resistance Tolerance of  $\pm 30\%$
  - Terminal Voltage, 0 to  $V_{CC}$
- Low Power CMOS
  - $V_{CC} = 3V \pm 10\%$
  - Active Current, 250 $\mu$ A max.
  - Standby Current, 1 $\mu$ A max.
- High Reliability
  - Endurance 200,000 Data Changes per Bit
  - Register Data Retention, 100 years
- $R_{TOTAL}$  Value = 50k $\Omega$
- Package
  - 8 Ld MSOP
- Pb-free (RoHS Compliant)

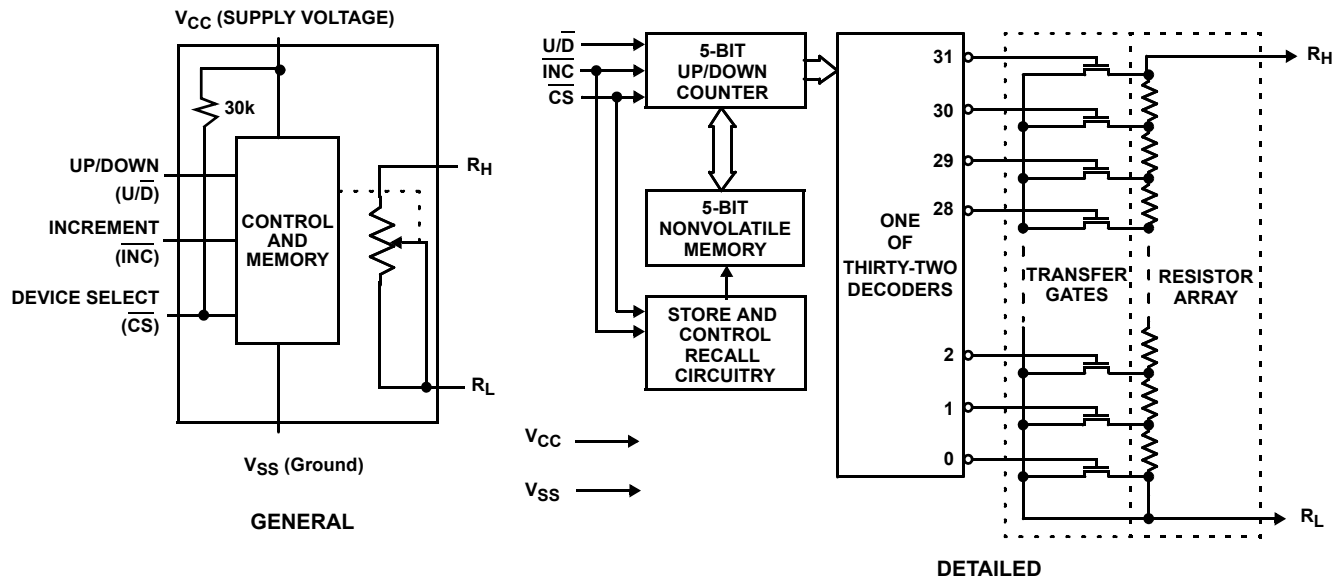
## Ordering Information

PART NUMBER (Notes 1, 2, 3)	PART MARKING	V <sub>CC</sub> LIMITS (V)	R <sub>TOTAL</sub> (kΩ)	TEMP RANGE (°C)	PACKAGE (Pb-free)	PKG. DWG. #
X93154UM8IZ-3	AIW	3 ±10%	50	-40 to +85	8 Ld MSOP	M8.118

NOTES:

1. Add "T1" suffix for tape and reel. Please refer to [TB347](#) for details on reel specifications.
2. These Intersil Pb-free plastic packaged products employ special Pb-free material sets, molding compounds/die attach materials, and 100% matte tin plate plus anneal (e3 termination finish, which is RoHS compliant and compatible with both SnPb and Pb-free soldering operations). Intersil Pb-free products are MSL classified at Pb-free peak reflow temperatures that meet or exceed the Pb-free requirements of IPC/JEDEC J STD-020.
3. For Moisture Sensitivity Level (MSL), please see product information page for [X93154](#). For more information on MSL, please see tech brief [TB363](#).

## Block Diagram



## Pin Descriptions

MSOP	SYMBOL	BRIEF DESCRIPTION
1	$\overline{\text{INC}}$	<b>Increment (INC).</b> The $\overline{\text{INC}}$ input is negative-edge triggered. Toggling $\overline{\text{INC}}$ will move the wiper and either increment or decrement the counter in the direction indicated by the logic level on the U/D input.
2	$\text{U}/\overline{\text{D}}$	<b>Up/Down (U/D).</b> The $\text{U}/\overline{\text{D}}$ input controls the direction of the wiper movement and whether the counter is incremented or decremented.
3	R <sub>H</sub>	<b>R<sub>H</sub>.</b> The R <sub>H</sub> and R <sub>L</sub> pins of the X93154 are equivalent to the fixed terminals of a mechanical potentiometer. The minimum voltage is V <sub>SS</sub> and the maximum is V <sub>CC</sub> . The terminology of R <sub>H</sub> and R <sub>L</sub> references the relative position of the terminal in relation to wiper movement direction selected by the U/D input.
4	V <sub>SS</sub>	Ground.
5	NC	<b>No Connection</b> (or can be connected to any voltage between V <sub>SS</sub> and V <sub>CC</sub> ).
6	R <sub>L</sub>	<b>R<sub>L</sub>.</b> The R <sub>H</sub> and R <sub>L</sub> pins of the X93154 are equivalent to the fixed terminals of a mechanical potentiometer. The minimum voltage is V <sub>SS</sub> and the maximum is V <sub>CC</sub> . The terminology of R <sub>H</sub> and R <sub>L</sub> references the relative position of the terminal in relation to wiper movement direction selected by the U/D input.
7	$\overline{\text{CS}}$	<b>Chip Select (CS).</b> The device is selected when the $\overline{\text{CS}}$ input is LOW. The current counter value is stored in nonvolatile memory when $\overline{\text{CS}}$ is returned HIGH while the INC input is also HIGH. After the store operation is complete, the X93154 will be placed in the low power standby mode until the device is selected once again.
8	V <sub>CC</sub>	Supply Voltage.

**Absolute Maximum Ratings**

Voltage on  $\overline{CS}$ ,  $\overline{INC}$ ,  $U/\overline{D}$ ,  $R_H$ ,  $R_L$  and  $V_{CC}$   
with Respect to  $V_{SS}$  ..... -1V to +6.5V  
Maximum Resistor Current ..... 2mA

**Thermal Information**

Storage Temperature ..... -65°C to +150°C  
Temperature Under Bias ..... -65°C to +135°C  
Pb-Free Reflow Profile ..... see [TB493](#)

**Recommended Operating Conditions**

Temperature Range, Industrial ..... -40°C to +85°C  
Supply Voltage,  $V_{CC}$  ..... 3V  $\pm$ 10% ([Note 4](#))

*CAUTION: Do not operate at or near the maximum ratings listed for extended periods of time. Exposure to such conditions may adversely impact product reliability and result in failures not covered by warranty.*

## NOTE:

4. When performing multiple write operations,  $V_{CC}$  must not decrease by more than 150mV from its initial value.

**Potentiometer Specifications** Across recommended operating conditions unless otherwise stated.

SYMBOL	PARAMETER	TEST CONDITIONS/NOTES	MIN ( <a href="#">Note 10</a> )	TYP ( <a href="#">Note 8</a> )	MAX ( <a href="#">Note 10</a> )	UNIT
$R_{TOT}$	End-to-End Resistance		35	50	65	k $\Omega$
$V_R$	$R_H$ , $R_L$ Terminal Voltages		0		$V_{CC}$	V
	Power Rating	$R_{TOTAL} = 50k\Omega$			1	mW ( <a href="#">Note 9</a> )
	Noise	Ref: 1kHz		-120		dBV ( <a href="#">Note 9</a> )
$R_W$	Wiper Resistance	( <a href="#">Note 9</a> )			1000	$\Omega$
$I_W$	Wiper Current	( <a href="#">Note 9</a> )			0.6	mA
	Resolution			3		%
	Absolute Linearity ( <a href="#">Note 5</a> )	$V_{H(n)(actual)} - V_{H(n)(expected)}$			$\pm 1$	MI ( <a href="#">Note 7</a> )
	Relative Linearity ( <a href="#">Note 6</a> )	$V_{H(n+1)} - [V_{H(n)} + MI]$			$\pm 0.5$	MI ( <a href="#">Note 7</a> )
	$R_{TOTAL}$ Temperature Coefficient	( <a href="#">Note 9</a> )		$\pm 35$		ppm/ $^{\circ}C$
$C_H/C_L/C_W$	Potentiometer Capacitances	See " <a href="#">Circuit #2 SPICE Macro Model</a> " on page 4		10/10/25		pF ( <a href="#">Note 9</a> )

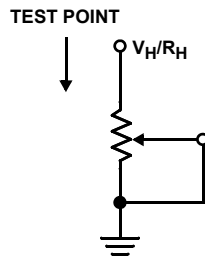
**DC Electrical Specifications** Across recommended operating conditions, unless otherwise specified.

SYMBOL	PARAMETER	TEST CONDITIONS	MIN ( <a href="#">Note 10</a> )	TYP ( <a href="#">Note 8</a> )	MAX ( <a href="#">Note 10</a> )	UNIT
$I_{CC1}$	$V_{CC}$ Active Current (Increment)	$\overline{CS} = V_{IL}$ , $U/\overline{D} = V_{IL}$ or $V_{IH}$ and $\overline{INC} = 0.4V$ at max. $t_{CYC}$		50	250	$\mu A$
$I_{CC2}$	$V_{CC}$ Active Current (Store) (EEPROM Store)	$\overline{CS} = V_{IH}$ , $U/\overline{D} = V_{IL}$ or $V_{IH}$ and $\overline{INC} = V_{IH}$ at max. $t_{WR}$			600	$\mu A$
$I_{SB}$	Standby Supply Current	$\overline{CS} = V_{CC} - 0.3V$ , $U/\overline{D}$ and $\overline{INC} = V_{SS}$ or $V_{CC} - 0.3V$			1	$\mu A$
$I_{LI}$	CS	$V_{IN} = V_{CC}$			$\pm 1$	$\mu A$
$I_{LI}$	CS	$V_{CC} = 3V$ , $\overline{CS} = 0$	60	100	150	$\mu A$
$I_{LI}$	$\overline{INC}$ , $U/\overline{D}$ Input Leakage Current	$V_{IN} = V_{SS}$ to $V_{CC}$			$\pm 1$	$\mu A$
$V_{IH}$	$\overline{CS}$ , $\overline{INC}$ , $U/\overline{D}$ Input HIGH Voltage		$V_{CC} \times 0.7$		$V_{CC} + 0.5$	V
$V_{IL}$	$\overline{CS}$ , $\overline{INC}$ , $U/\overline{D}$ Input LOW Voltage		-0.5		$V_{CC} \times 0.1$	V
$C_{IN}$ ( <a href="#">Note 9</a> )	$\overline{CS}$ , $\overline{INC}$ , $U/\overline{D}$ Input Capacitance	$V_{CC} = 3V$ , $V_{IN} = V_{SS}$ , $T_A = +25^{\circ}C$ , $f = 1MHz$			10	pF

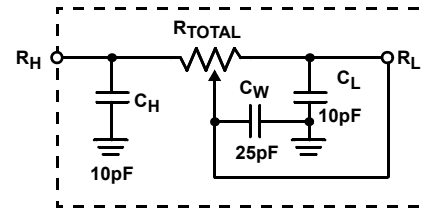
## Endurance and Data Retention

PARAMETER	MIN	UNIT
Minimum endurance	200,000	Data changes per bit
Data retention	100	Years

### Test Circuit #1



### Circuit #2 SPICE Macro Model



### AC Conditions of Test

Input pulse levels	0V to 3V
Input rise and fall times	10ns
Input reference levels	1.5V

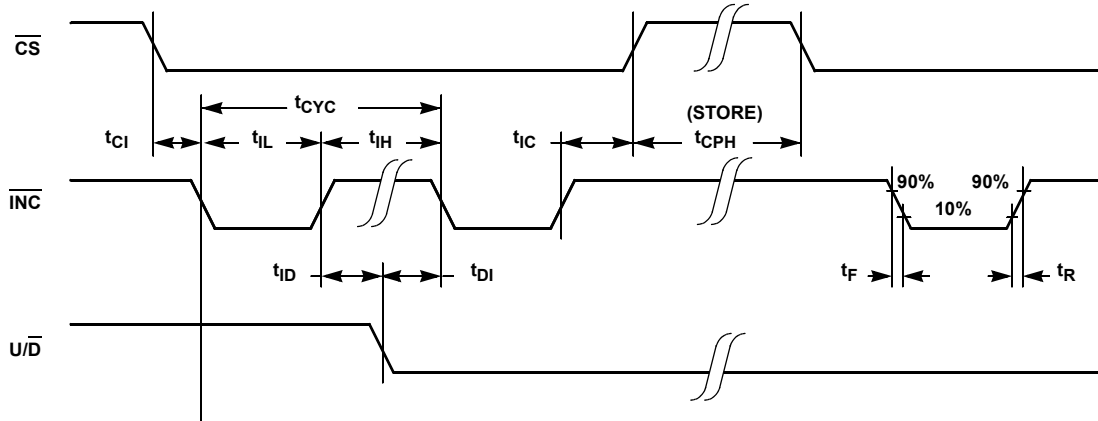
## AC Electrical Specifications Across recommended operating conditions unless otherwise specified.

SYMBOL	PARAMETER	MIN (Note 10)	TYP (Note 8)	MAX (Note 10)	UNIT
$t_{CI}$	$\overline{CS}$ to $\overline{INC}$ Setup	100			ns
$t_{ID}$	$\overline{INC}$ HIGH to $U/\overline{D}$ Change	100			ns
$t_{DI}$	$U/\overline{D}$ to $\overline{INC}$ Setup	100			ns
$t_{IL}$	$\overline{INC}$ LOW Period	1			$\mu$ s
$t_{IH}$	$\overline{INC}$ HIGH Period	1			$\mu$ s
$t_{IC}$	$\overline{INC}$ Inactive to $\overline{CS}$ Inactive	1			$\mu$ s
$t_{CPH}$	$\overline{CS}$ Deselect Time (No Store)	250			ns
$t_{CPH}$	$\overline{CS}$ Deselect Time (Store)	10			ms
$t_{CYC}$	$\overline{INC}$ Cycle Time	2			$\mu$ s
$t_R, t_F$ (Note 9)	$\overline{INC}$ Input Rise and Fall Time			500	$\mu$ s
$t_R V_{CC}$ (Note 9)	$V_{CC}$ Power-up Rate	1.0		50	V/ms
$t_{WR}$	Store Cycle		5	10	ms

#### NOTES:

- Absolute linearity is utilized to determine actual wiper voltage versus expected voltage =  $(V_{H(n)}(\text{actual}) - V_{H(n)}(\text{expected})) = \pm 1 \text{ MI}$  Maximum.  $n = 1 \dots 29$  only.
- Relative linearity is a measure of the error in step size between taps =  $V_{H(n+1)} - [V_{H(n)} + \text{MI}] = \pm 0.5 \text{ MI}$ ,  $n = 1 \dots 29$  only.
- 1 MI = Minimum Increment =  $R_{TOT}/31$ .
- Typical values are for  $T_A = +25^\circ\text{C}$  and nominal supply voltage.
- Limits established by characterization and are not production tested.
- Parts are 100% tested at  $+25^\circ\text{C}$ . Over-temperature limits established by characterization and are not production tested.

## AC Timing



### Power-Up and Power-Down Requirements

There are no restrictions on the power-up or power-down conditions of  $V_{CC}$  and the voltages applied to the potentiometer pins provided that  $V_{CC}$  is always more positive than or equal to  $V_H$  and  $V_L$ , i.e.,  $V_{CC} \geq V_H, V_L$ . The  $V_{CC}$  ramp rate specification is always in effect.

### Pin Descriptions

#### $R_H$ and $R_L$

The  $R_H$  and  $R_L$  pins of the X93154 are equivalent to the fixed terminals of a mechanical potentiometer. The minimum voltage is  $V_{SS}$  and the maximum is  $V_{CC}$ . The terminology of  $R_H$  and  $R_L$  references the relative position of the terminal in relation to wiper movement direction selected by the  $U/\bar{D}$  input.

#### Up/Down ( $U/\bar{D}$ )

The  $U/\bar{D}$  input controls the direction of the wiper movement and whether the counter is incremented or decremented.

#### Increment ( $\bar{INC}$ )

The  $\bar{INC}$  input is negative-edge triggered. Toggling  $\bar{INC}$  will move the wiper and either increment or decrement the counter in the direction indicated by the logic level on the  $U/\bar{D}$  input.

#### Chip Select ( $\bar{CS}$ )

The device is selected when the  $\bar{CS}$  input is LOW. The current counter value is stored in nonvolatile memory when  $\bar{CS}$  is returned HIGH while the  $\bar{INC}$  input is also HIGH. After the store operation is complete the X93154 will be placed in the low power standby mode until the device is selected once again.

### Pin Names

SYMBOL	DESCRIPTION
$R_H$	High terminal
$R_L$	Low terminal
$V_{SS}$	Ground
$V_{CC}$	Supply voltage
$U/\bar{D}$	Up/Down control input
$\bar{INC}$	Increment control input
$\bar{CS}$	Chip Select control input

### Principles of Operation

There are three sections of the X93154: the input control, counter and decode section; the nonvolatile memory; and the resistor array. The input control section operates just like an up/down counter. The output of this counter is decoded to turn on a single electronic switch connecting a point on the resistor array to the wiper output. Under the proper conditions the contents of the counter can be stored in nonvolatile memory and retained for future use. The resistor array is comprised of 31 individual resistors connected in series. At either end of the array and between each resistor is an electronic switch that transfers the connection at that point to the wiper.

The wiper, when at either fixed terminal, acts like its mechanical equivalent and does not move beyond the last position. That is, the counter does not wrap around when clocked to either extreme.

If the wiper is moved several positions, multiple taps are connected to the wiper for  $t_{1W}$  (INC to  $V_{WW}$  change). The 2-terminal resistance value for the device can temporarily change by a significant amount if the wiper is moved several positions.

When the device is powered down, the last wiper position stored will be maintained in the nonvolatile memory. When power is restored, the contents of the memory are recalled and the wiper is set to the value last stored.

### Instructions and Programming

The  $\overline{INC}$ ,  $\overline{U/D}$  and  $\overline{CS}$  inputs control the movement of the wiper along the resistor array. With  $\overline{CS}$  set LOW, the device is selected and enabled to respond to the  $\overline{U/D}$  and  $\overline{INC}$  inputs. HIGH-to-LOW transitions on  $\overline{INC}$  will increment or decrement (depending on the state of the  $\overline{U/D}$  input) a 5-bit counter. The output of this counter is decoded to select one of thirty-two wiper positions along the resistive array.

The value of the counter is stored in nonvolatile memory whenever  $\overline{CS}$  transitions HIGH while the  $\overline{INC}$  input is also HIGH. In order to avoid an accidental store during power-up,  $\overline{CS}$  must go HIGH with  $V_{CC}$  during initial power-up. When performing multiple write operations,  $V_{CC}$  must not decrease by more than 150mV from its initial value. When left open, the  $\overline{CS}$  pin is internally pulled up to  $V_{CC}$  by an internal 30k resistor.

The system may select the X93154, move the wiper and deselect the device without having to store the latest wiper position in nonvolatile memory. After the wiper movement is performed as previously described and once the new position is reached, the system must keep  $\overline{INC}$  LOW while taking  $\overline{CS}$  HIGH. The new wiper position will be maintained until changed by the system or until a power-up/down cycle recalled the previously stored data. In order to recall the stored position of the wiper on power-up, the  $\overline{CS}$  pin must be held HIGH.

This procedure allows the system to always power-up to a preset value stored in nonvolatile memory; then during system operation minor adjustments could be made. The adjustments might be based on user preference, system parameter changes due to temperature drift, or other system trim requirements.

The state of  $\overline{U/D}$  may be changed while  $\overline{CS}$  remains LOW. This allows the host system to enable the device and then move the wiper up and down until the proper trim is attained.

### Mode Selection

$\overline{CS}$	$\overline{INC}$	$\overline{U/D}$	MODE
L		H	Wiper Up

### Mode Selection

$\overline{CS}$	$\overline{INC}$	$\overline{U/D}$	MODE
L		L	Wiper Down
	H	X	Store Wiper Position
H	X	X	Standby Current
	L	X	No Store, Return to Standby
	L	H	Wiper Up (not recommended)
	L	L	Wiper Down (not recommended)

### Symbol Table

WAVEFORM	INPUTS	OUTPUTS
	Must be steady	Will be steady
	May change from Low to High	Will change from Low to High
	May change from High to Low	Will change from High to Low
	Don't Care: Changes Allowed	Changing: State Not Known
	N/A	Center Line is High Impedance

### Applications Information

Electronic digitally controlled (XDCP) potentiometers provide three powerful application advantages:

1. The variability and reliability of a solid-state potentiometer
2. The flexibility of computer-based digital controls
3. The retentivity of nonvolatile memory used for the storage of multiple potentiometer settings or data

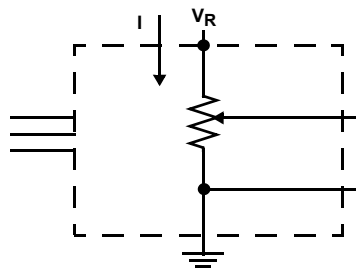
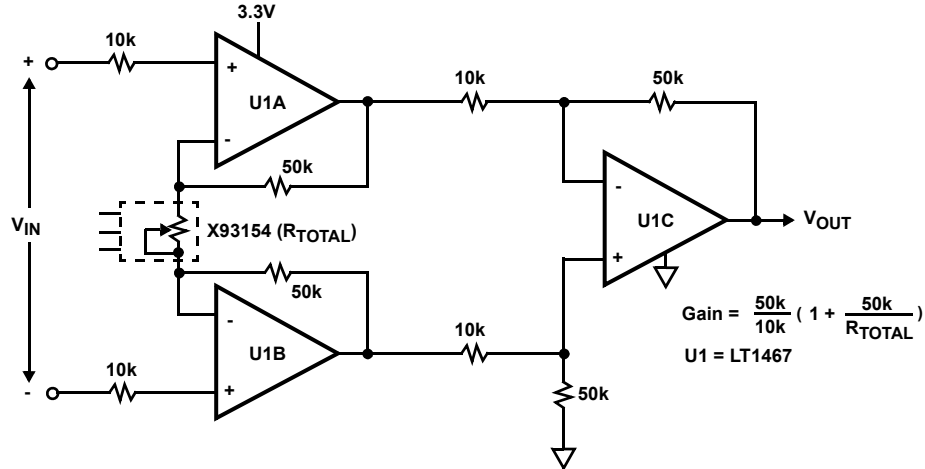
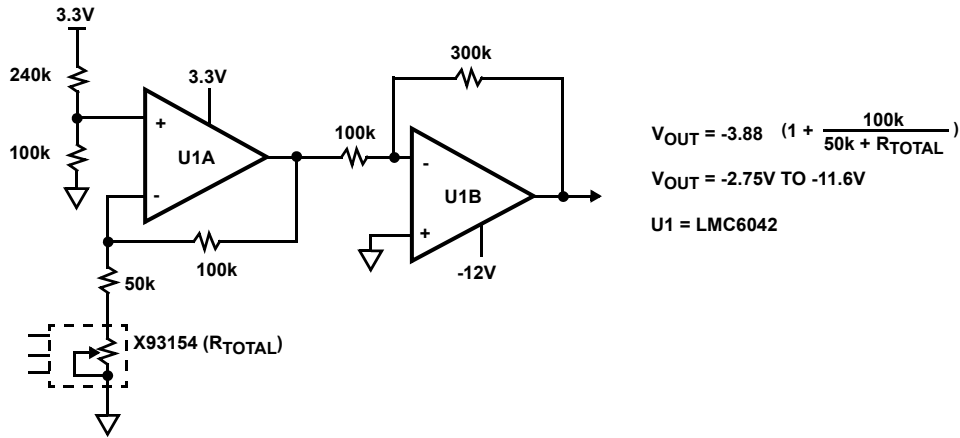


FIGURE 1. TWO TERMINAL VARIABLE RESISTOR. VARIABLE CURRENT

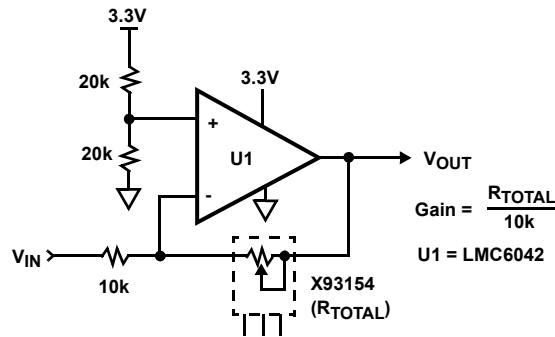
**Low Voltage High Impedance Instrumentation Amplifier**



**Micro-Power LCD Contrast Control**



**Single Supply Variable Gain Amplifier**



© Copyright Intersil Americas LLC 2004-2014. All Rights Reserved.  
 All trademarks and registered trademarks are the property of their respective owners.

For additional products, see [www.intersil.com/en/products.html](http://www.intersil.com/en/products.html)

Intersil products are manufactured, assembled and tested utilizing ISO9001 quality systems as noted in the quality certifications found at [www.intersil.com/en/support/qualandreliability.html](http://www.intersil.com/en/support/qualandreliability.html)

*Intersil products are sold by description only. Intersil may modify the circuit design and/or specifications of products at any time without notice, provided that such modification does not, in Intersil's sole judgment, affect the form, fit or function of the product. Accordingly, the reader is cautioned to verify that datasheets are current before placing orders. Information furnished by Intersil is believed to be accurate and reliable. However, no responsibility is assumed by Intersil or its subsidiaries for its use; nor for any infringements of patents or other rights of third parties which may result from its use. No license is granted by implication or otherwise under any patent or patent rights of Intersil or its subsidiaries.*

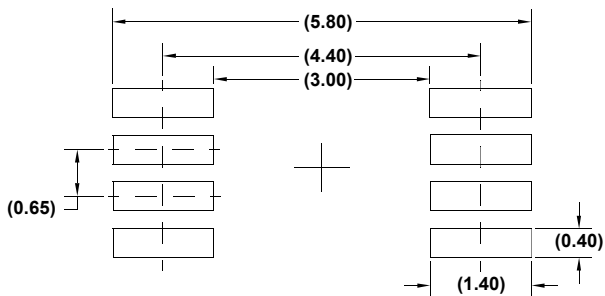
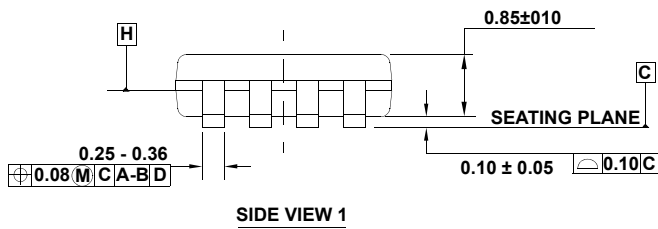
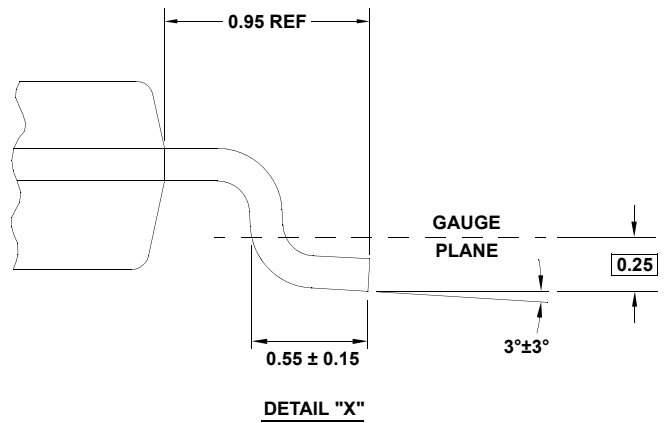
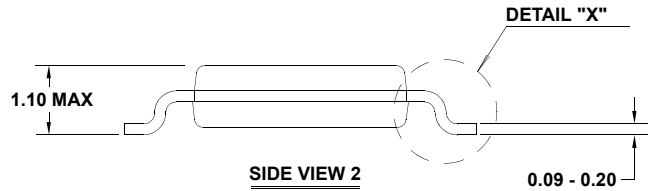
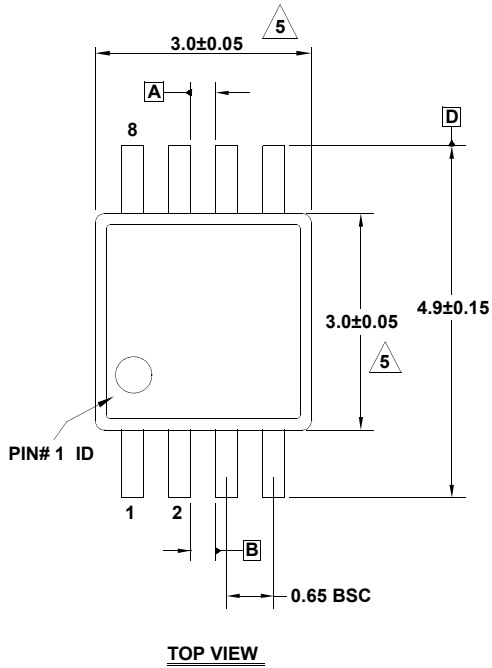
For information regarding Intersil Corporation and its products, see [www.intersil.com](http://www.intersil.com)

# Package Outline Drawing

## M8.118

8 LEAD MINI SMALL OUTLINE PLASTIC PACKAGE

Rev 4, 7/11



**NOTES:**

1. Dimensions are in millimeters.
2. Dimensioning and tolerancing conform to JEDEC MO-187-AA and AMSEY14.5m-1994.
3. Plastic or metal protrusions of 0.15mm max per side are not included.
4. Plastic interlead protrusions of 0.15mm max per side are not included.

5. Dimensions are measured at Datum Plane "H".

6. Dimensions in ( ) are for reference only.