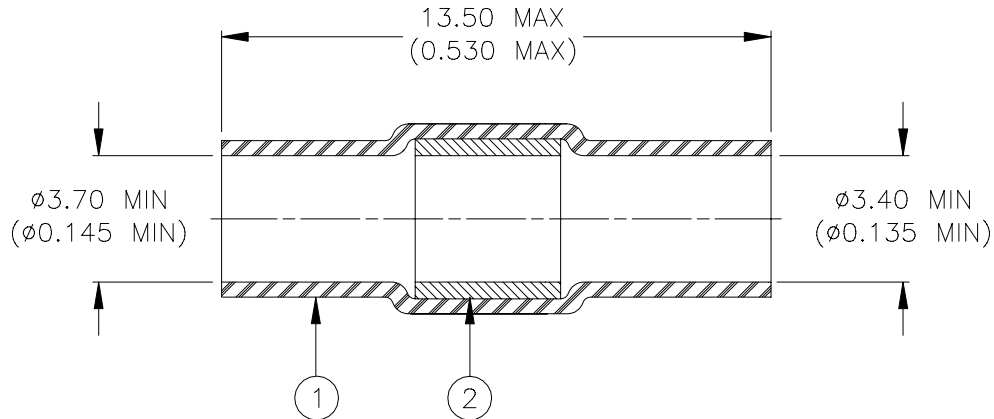


SPECIFICATION CONTROL DRAWING




MATERIALS

1. INSULATION SLEEVE: Heat-shrinkable, transparent blue, radiation cross-linked polyvinylidene fluoride.
2. SOLDER PREFORM WITH FLUX:
 - SOLDER: TYPE Sn63 Pb37 per ANSI/J-STD-006.
 - FLUX: TYPE ROM1 per ANSI/J-STD-004.

APPLICATION

1. This part is designed for use in attaching a wire onto a post. They may be used on cables rated for at least 125°C .
2. Parts will meet the requirements of Raychem Specification RT-1404 when installed properly.
3. Temperature Rating: -55°C to $+125^{\circ}\text{C}$.

		Raychem Products 305 Constitution Drive Menlo Park, CA 94025, USA		TITLE : SOLDERSLEEVE DEVICE			
Unless otherwise specified dimensions are in millimeters. Inches dimensions are in between brackets.				DOCUMENT NO.: D-110-0056			
TOLERANCES: 0.00 N/A 0.0 N/A 0 N/A	ANGLES: N/A ROUGHNESS IN MICRON	Tyco Electronics reserves the right to amend this drawing at any time. Users should evaluate the suitability of the product for their application.		DCR NUMBER: D020228	REPLACES: D980609		
DRAWN BY: mforonda	DATE: 08-July-02	PROD. REV. C	DOC ISSUE: 2	SCALE: None	SIZE: A	SHEET: 1 of 1	

If this document is printed it becomes uncontrolled. Check for the latest revision.