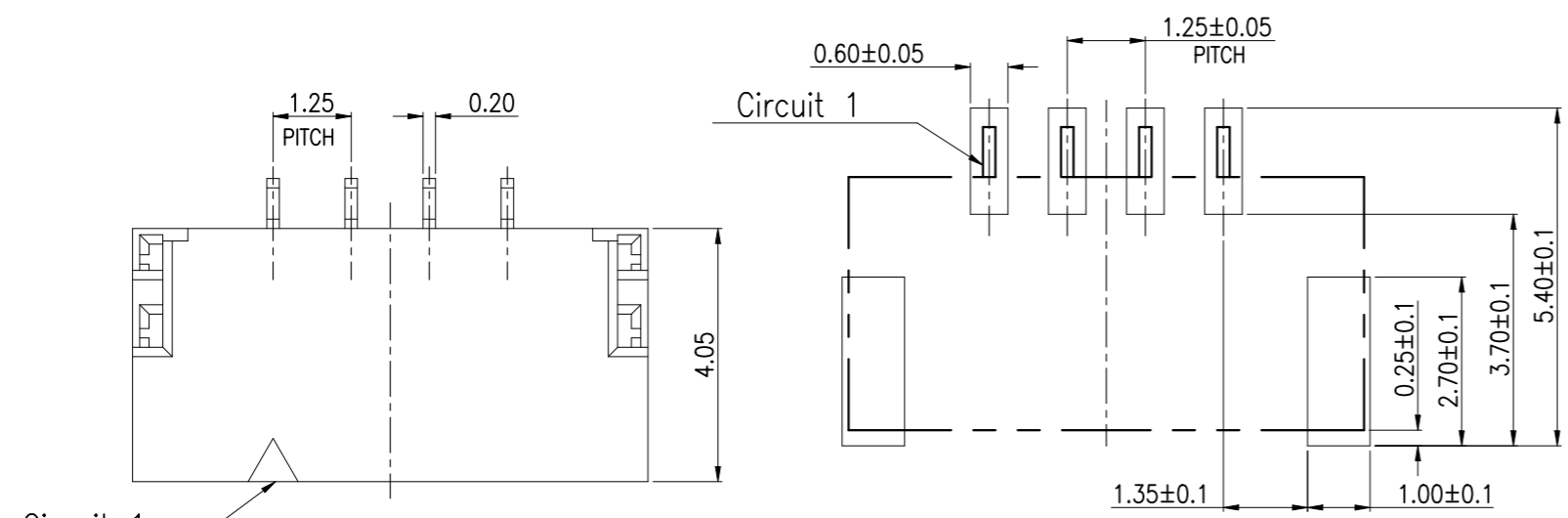
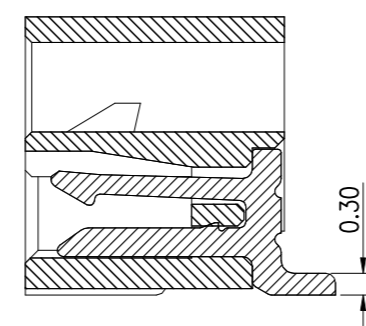
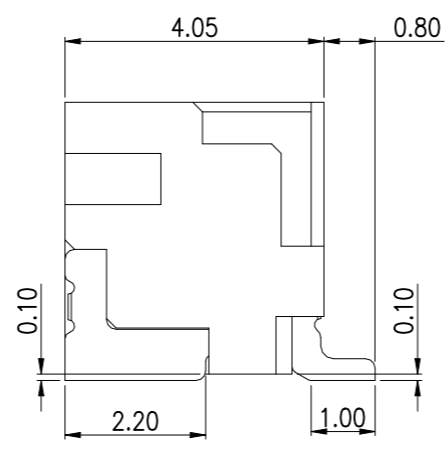
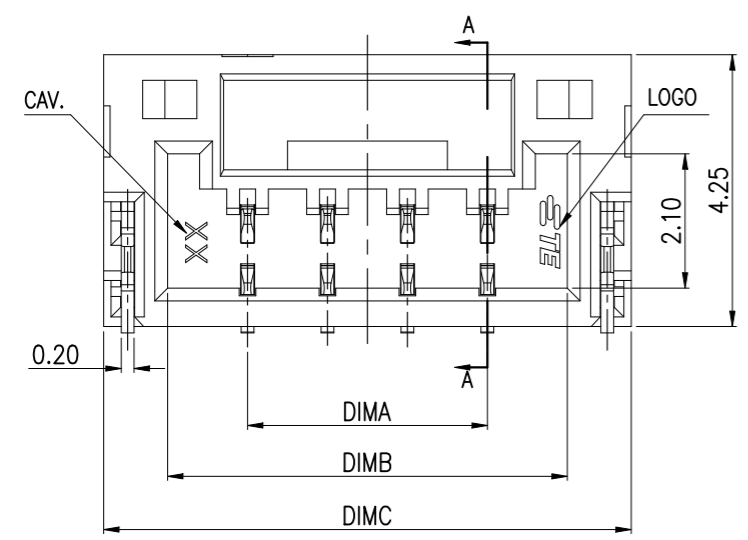


| REVISIONS | | | | | |
|-----------|-----|---------------|-----------|-----|------|
| P | LTR | DESCRIPTION | DATE | DWN | APVD |
| | A | ECR-21-104664 | 12APR2021 | T.Q | W.H |

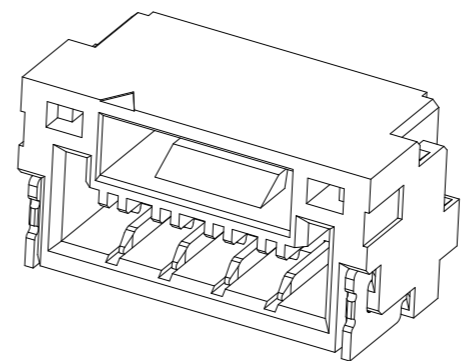


RECOMMENDED PCB LAYOUT
GENERAL TOLERANCE ±0.05

- NOTES:
- MATERIAL:
 - HOUSING: THERMOPLASTIC, HIGH TEMP.,UL94V-0,LCP
 - CONTACT: COPPER ALLOY.
 - FITTING NAIL: COPPER ALLOY.
 - FINISH:
 - CONTACT: 50u" MIN. NICKEL UNDERPLATING OVERALL.
TYPE A:80~150u" MATT TIN PLATING ON CONTACT AND SOLDER AREA
TYPE B:0.5u" MIN GOLD FLASH ON CONTACT AND SOLDER AREA
 - FITTING NAIL: 50u" MIN. NICKEL UNDERPLATING OVERALL.
N:80u" MIN. MATTE TIN PLATING
 - MATING PARTS: X-2390144-X.



SECTION A-A

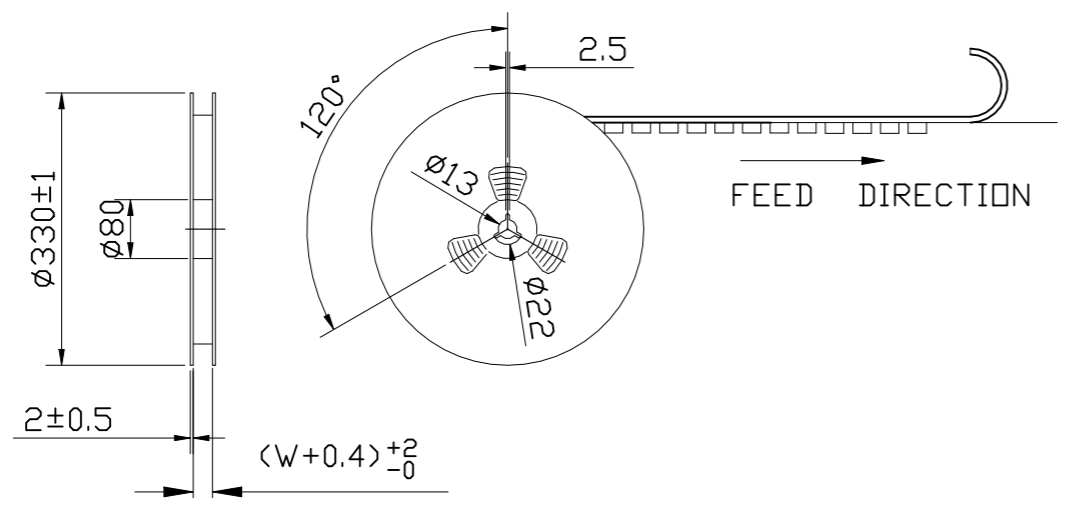
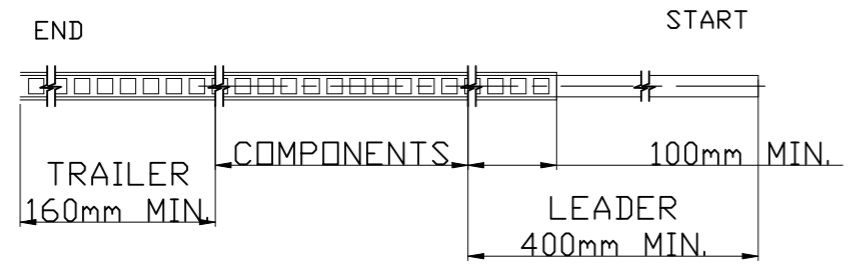


| | | | | | | |
|---------|------------|-------------|----------|-----|--------------|-------------|
| BLACK | 22.00 | 20.00 | 17.50 | 15P | 7-2390136-5 | 5-2390136-5 |
| | 20.75 | 18.75 | 16.25 | 14P | 7-2390136-4 | 5-2390136-4 |
| | 19.50 | 17.50 | 15.00 | 13P | 7-2390136-3 | 5-2390136-3 |
| | 18.25 | 16.25 | 13.75 | 12P | 7-2390136-2 | 5-2390136-2 |
| | 17.00 | 15.00 | 12.50 | 11P | 7-2390136-1 | 5-2390136-1 |
| | 15.75 | 13.75 | 11.25 | 10P | 7-2390136-0 | 5-2390136-0 |
| | 14.50 | 12.50 | 10.00 | 9P | 6-2390136-9 | 4-2390136-9 |
| | 13.25 | 11.25 | 8.75 | 8P | 6-2390136-8 | 4-2390136-8 |
| | 12.00 | 10.00 | 7.50 | 7P | 6-2390136-7 | 4-2390136-7 |
| | 10.75 | 8.75 | 6.25 | 6P | 6-2390136-6 | 4-2390136-6 |
| NATURAL | 9.50 | 7.50 | 5.00 | 5P | 6-2390136-5 | 4-2390136-5 |
| | 8.25 | 6.25 | 3.75 | 4P | 6-2390136-4 | 4-2390136-4 |
| | 7.00 | 5.00 | 2.50 | 3P | 6-2390136-3 | 4-2390136-3 |
| | 5.75 | 3.75 | 1.25 | 2P | 6-2390136-2 | 4-2390136-2 |
| | 22.00 | 20.00 | 17.50 | 15P | 3-2390136-5 | 1-2390136-5 |
| | 20.75 | 18.75 | 16.25 | 14P | 3-2390136-4 | 1-2390136-4 |
| | 19.50 | 17.50 | 15.00 | 13P | 3-2390136-3 | 1-2390136-3 |
| | 18.25 | 16.25 | 13.75 | 12P | 3-2390136-2 | 1-2390136-2 |
| | 17.00 | 15.00 | 12.50 | 11P | 3-2390136-1 | 1-2390136-1 |
| | 15.75 | 13.75 | 11.25 | 10P | 3-2390136-0 | 1-2390136-0 |
| COLOR | 14.50 | 12.50 | 10.00 | 9P | 2-2390136-9 | 2390136-9 |
| | 13.25 | 11.25 | 8.75 | 8P | 2-2390136-8 | 2390136-8 |
| | 12.00 | 10.00 | 7.50 | 7P | 2-2390136-7 | 2390136-7 |
| | 10.75 | 8.75 | 6.25 | 6P | 2-2390136-6 | 2390136-6 |
| | 9.50 | 7.50 | 5.00 | 5P | 2-2390136-5 | 2390136-5 |
| | 8.25 | 6.25 | 3.75 | 4P | 2-2390136-4 | 2390136-4 |
| | 7.00 | 5.00 | 2.50 | 3P | 2-2390136-3 | 2390136-3 |
| | 5.75 | 3.75 | 1.25 | 2P | 2-2390136-2 | 2390136-2 |
| | GOLD FLASH | | MATT TIN | | PLATING SPEC | |
| | DIM C | | DIM B | | DIM A | |
| POS | | PART NUMBER | | | | |

| | | | | | | | | | | | |
|----------------------------------------------------------------------------------------|--|------------------|------------|-----------|------------------------------------------------------|--------------------|------------|---------------|--------|-----|---|
| THIS DRAWING IS A CONTROLLED DOCUMENT. | | DWN | Tommy Qian | 12APR2021 | TE Connectivity 1.25mm PITCH WTB Conn. SMT R/A | | | | | | |
| DIMENSIONS: mm | | CHK | Niki Shi | 12APR2021 | | | | | | | |
| TOLERANCES UNLESS OTHERWISE SPECIFIED: | | APVD | Niki Shi | 12APR2021 | | | | | | | |
| 0 PLC ± 0.5 1 PLC ± 0.25 2 PLC ± 0.15 3 PLC ± 0.1 4 PLC ± - ANGLES ± 2° | | PRODUCT SPEC | 108-115184 | | | | | | | | |
| MATERIAL | | APPLICATION SPEC | - | | SIZE | CAGE CODE | DRAWING NO | RESTRICTED TO | | | |
| NOTE 1 | | FINISH | NOTE 2 | | WEIGHT | A3 00779 C-2390136 | | | | | |
| CUSTOMER DRAWING | | | | | SCALE | N/A | | SHEET | 1 OF 4 | REV | A |

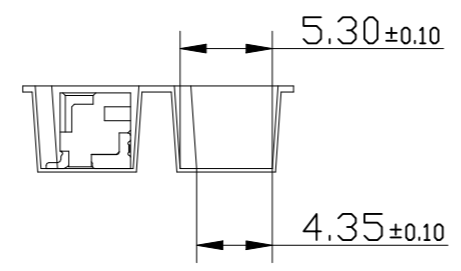
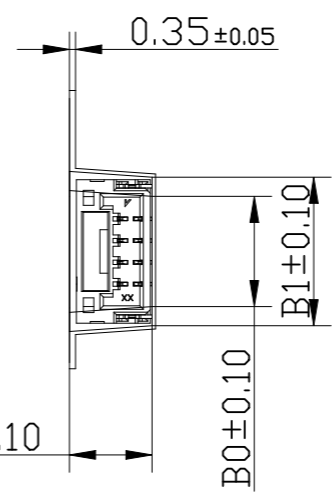
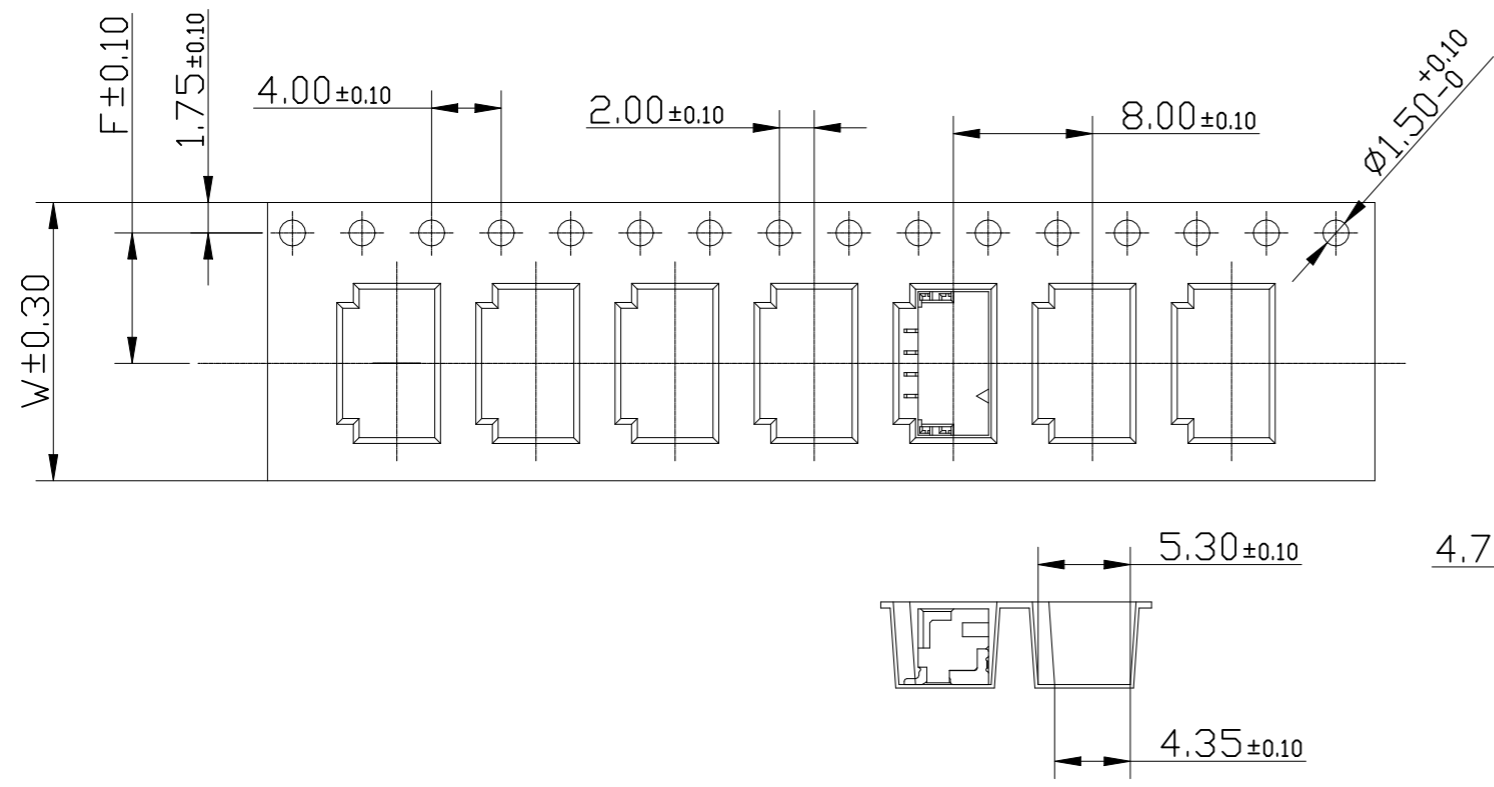
REVISIONS

| P | LTR | DESCRIPTION | DATE | DWN | APVD |
|---|-----|-------------|------|-----|------|
| - | - | SEE SHEET 1 | - | - | - |



NOTES:

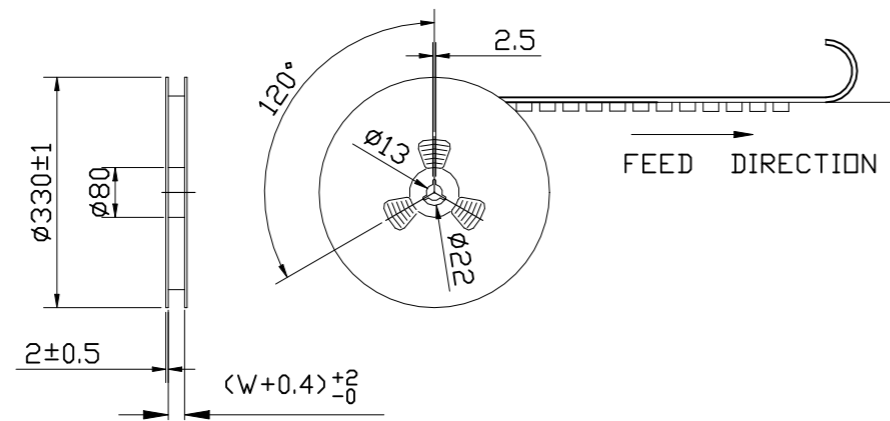
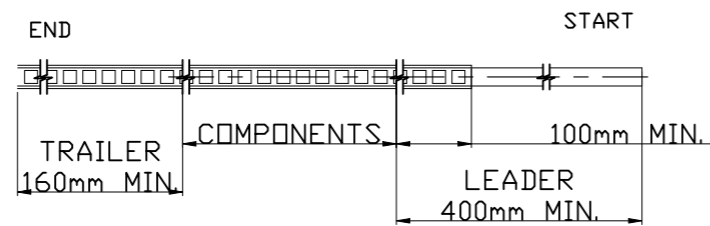
- 10 SPROCKET HOLE PITCH CUMULATIVE TOLERANCE.±0.20mm
- CARRIER CAMBER NOT TO EXCEED 1mm IN 100mm.
- ALL DIMENSIONS MEET EIA-481-B REQUIREMENTS.
- MATERIAL: WHITE ANTI-STATIC POLYSTYRENE.
- THICKNESS: 0.35 ± 0.05 mm.
- PACKING LENGTH PER 13" REEL : 13.0 METERS.
- COMPONENT LOAD PER 13" REEL : 1500 PCS.



| | | | | | | |
|--------|--------|-------|-------|-----|----------------------------------------------------|-------------|
| 17.29 | 15.09 | | | 11P | 7-2390136-1 | 5-2390136-1 |
| 16.04 | 13.84 | | | 10P | 7-2390136-0 | 5-2390136-0 |
| 14.79 | 12.59 | | | 9P | 6-2390136-9 | 4-2390136-9 |
| 13.54 | 11.34 | 11.50 | 24.00 | 8P | 6-2390136-8 | 4-2390136-8 |
| 12.29 | 10.09 | | | 7P | 6-2390136-7 | 4-2390136-7 |
| 11.04 | 8.84 | | | 6P | 6-2390136-6 | 4-2390136-6 |
| 9.79 | 7.59 | | | 5P | 6-2390136-5 | 4-2390136-5 |
| 8.54 | 6.34 | 7.50 | 16.00 | 4P | 6-2390136-4 | 4-2390136-4 |
| 7.29 | 5.09 | | | 3P | 6-2390136-3 | 4-2390136-3 |
| 6.04 | 3.84 | | | 2P | 6-2390136-2 | 4-2390136-2 |
| 17.29 | 15.09 | | | 11P | 3-2390136-1 | 1-2390136-1 |
| 16.04 | 13.84 | | | 10P | 3-2390136-0 | 1-2390136-0 |
| 14.79 | 12.59 | | | 9P | 2-2390136-9 | 2390136-9 |
| 13.54 | 11.34 | 11.50 | 24.00 | 8P | 2-2390136-8 | 2390136-8 |
| 12.29 | 10.09 | | | 7P | 2-2390136-7 | 2390136-7 |
| 11.04 | 8.84 | | | 6P | 2-2390136-6 | 2390136-6 |
| 9.79 | 7.59 | | | 5P | 2-2390136-5 | 2390136-5 |
| 8.54 | 6.34 | 7.50 | 16.00 | 4P | 2-2390136-4 | 2390136-4 |
| 7.29 | 5.09 | | | 3P | 2-2390136-3 | 2390136-3 |
| 6.04 | 3.84 | | | 2P | 2-2390136-2 | 2390136-2 |
| DIM B1 | DIM B0 | DIM F | DIM W | POS | GOLD FLASH MATT TIN PLATING SPEC PART NUMBER | |

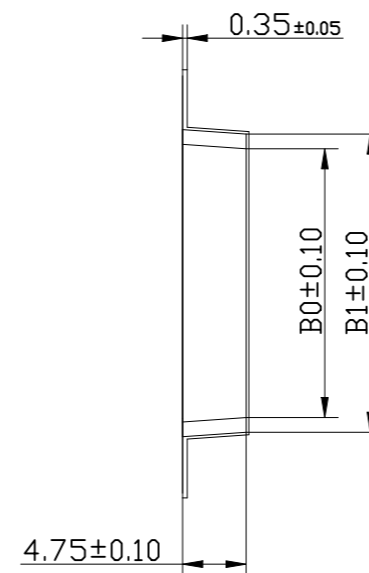
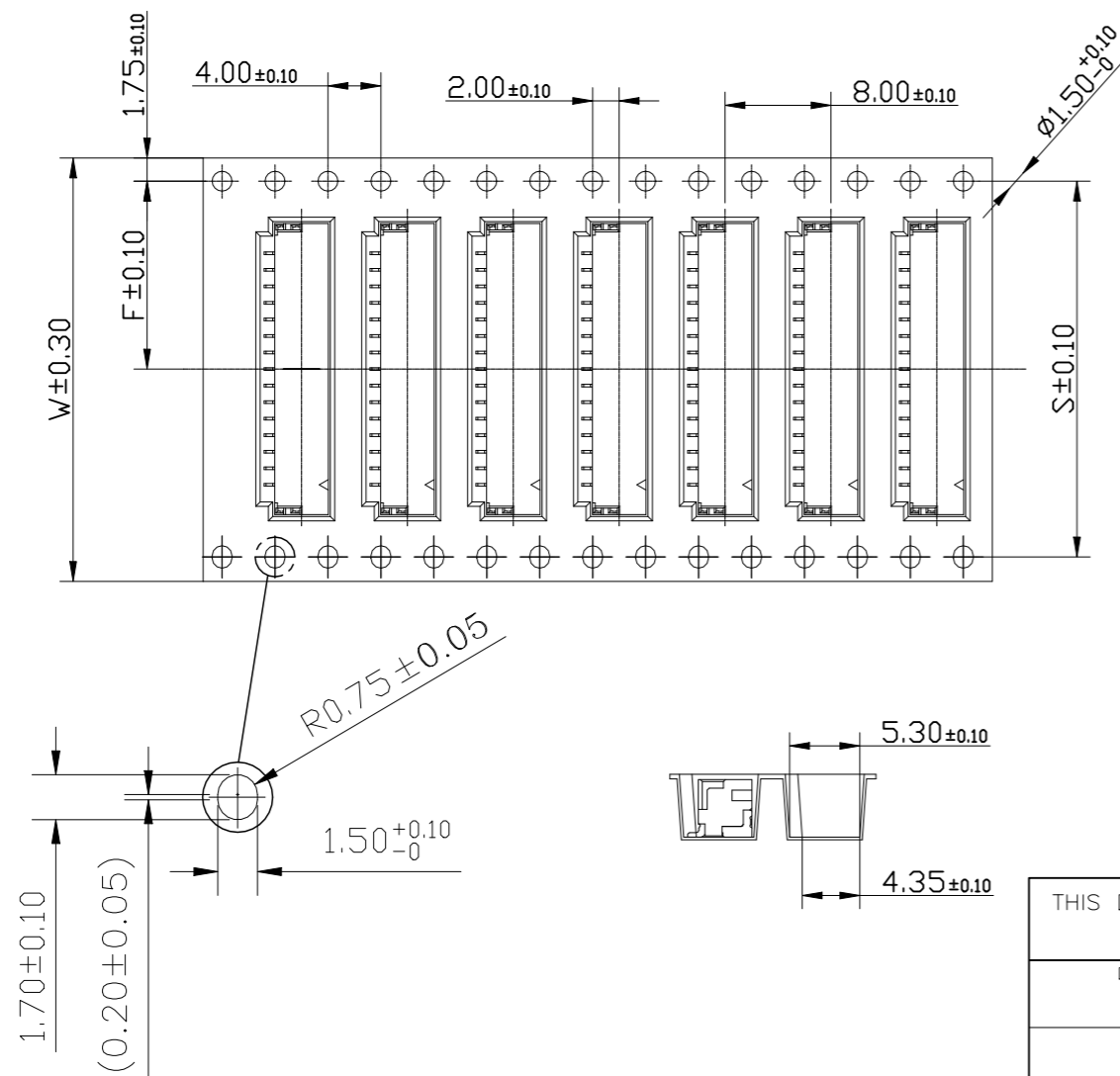
| | | | | | | | |
|----------------------------------------|--|----------------------------------------|------------|-----------|----------------------------|--|--|
| THIS DRAWING IS A CONTROLLED DOCUMENT. | | DWN | Tommy Qian | 12APR2021 | STE TE Connectivity | | |
| | | CHK | Niki Shi | 12APR2021 | | | |
| DIMENSIONS: mm | | TOLERANCES UNLESS OTHERWISE SPECIFIED: | | | NAME | | |
| | | 0 PLC ± 0.5 | | | 1.25mm PITCH WTB Conn. | | |
| | | 1 PLC ± 0.25 | | | SMT R/A | | |
| | | 2 PLC ± 0.15 | | | - | | |
| | | 3 PLC ± 0.1 | | | APPLICATION SPEC | | |
| | | 4 PLC ± - | | | - | | |
| | | ANGLES ± 2° | | | SIZE | | |
| MATERIAL | | FINISH | | | CAGE CODE | | |
| NOTE 1 | | NOTE 2 | | | DRAWING NO | | |
| | | | | | RESTRICTED TO | | |
| | | | | | A3 00779 C-2390136 | | |
| | | | | | SCALE | | |
| | | | | | N/A | | |
| | | | | | SHEET | | |
| | | | | | 2 OF 4 | | |
| | | | | | REV | | |
| | | | | | A | | |
| | | | | | CUSTOMER DRAWING | | |

| P | LTR | DESCRIPTION | DATE | DWN | APVD |
|---|-----|-------------|------|-----|------|
| - | - | SEE SHEET 1 | - | - | - |



NOTES:

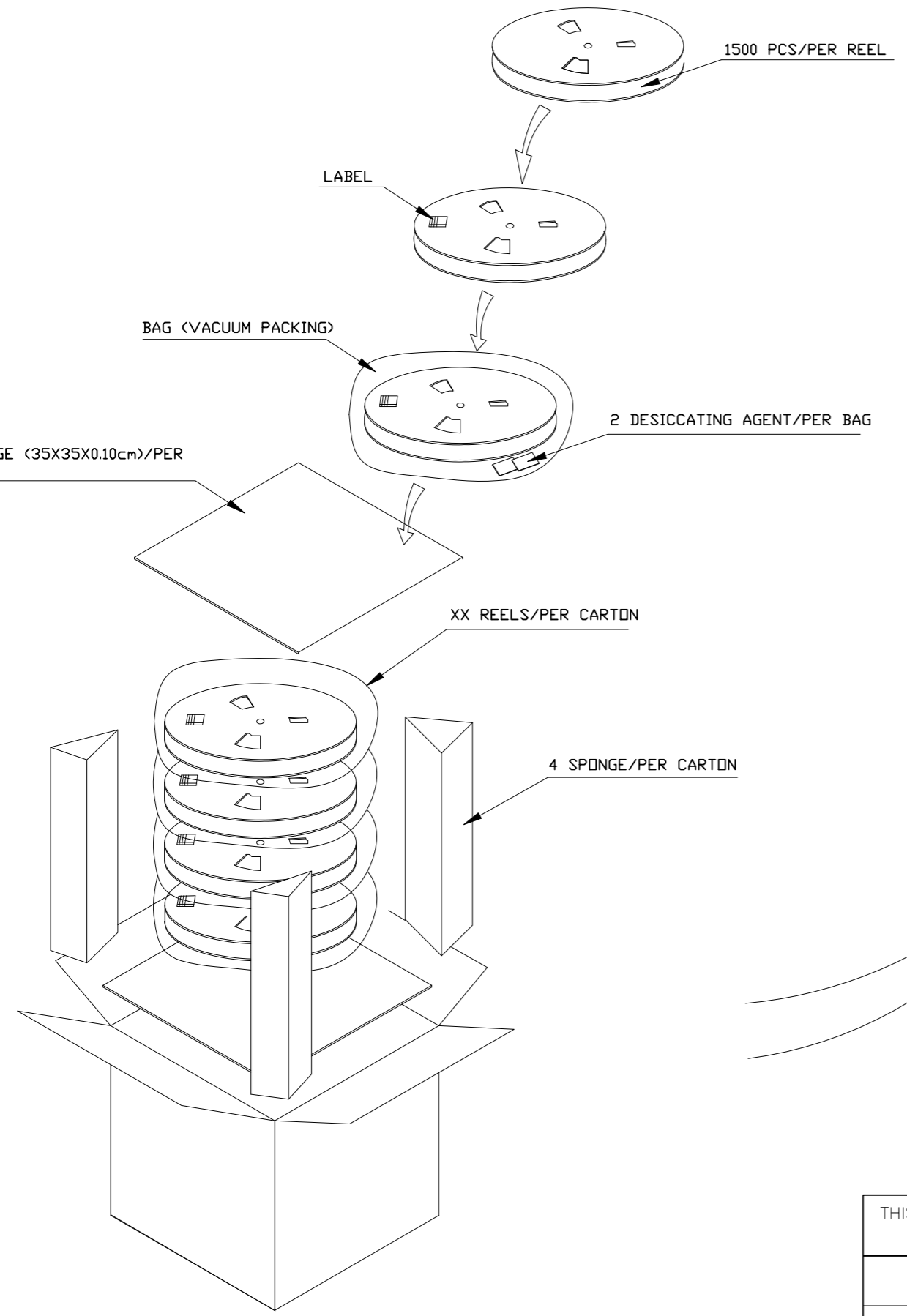
- 10 SPROCKET HOLE PITCH CUMULATIVE TOLERANCE: ±0.20mm
- CARRIER CAMBER NOT TO EXCEED 1mm IN 100mm.
- ALL DIMENSIONS MEET EIA-481-B REQUIREMENTS.
- MATERIAL: WHITE ANTI-STATIC POLYSTYRENE.
- THICKNESS: 0.35 ± 0.05 mm.
- PACKING LENGTH PER 13" REEL : 13.0 METERS.
- COMPONENT LOAD PER 13" REEL : 1500 PCS.



| | | | | | | | |
|--------|--------|-------|-------|-------|-----|---------------------|-------------|
| 22.29 | 20.09 | | | | 15P | 7-2390136-5 | 5-2390136-5 |
| 21.04 | 18.84 | 28.40 | 14.20 | 32.00 | 14P | 7-2390136-4 | 5-2390136-4 |
| 19.79 | 17.59 | | | | 13P | 7-2390136-3 | 5-2390136-3 |
| 18.54 | 16.34 | | | | 12P | 7-2390136-2 | 5-2390136-2 |
| 22.29 | 20.09 | | | | 15P | 3-2390136-5 | 1-2390136-5 |
| 21.04 | 18.84 | 28.40 | 14.20 | 32.00 | 14P | 3-2390136-4 | 1-2390136-4 |
| 19.79 | 17.59 | | | | 13P | 3-2390136-3 | 1-2390136-3 |
| 18.54 | 16.34 | | | | 12P | 3-2390136-2 | 1-2390136-2 |
| DIM B1 | DIM B0 | DIM S | DIM F | DIM W | POS | GOLD FLASH MATT TIN | |
| | | | | | | PLATING SPEC | |
| | | | | | | PART NUMBER | |

| | | | | | | |
|----------------------------------------|--|--------------------------|--------------------------------|-----------------|----------------------|---------------|
| THIS DRAWING IS A CONTROLLED DOCUMENT. | | DWN Tommy Qian 12APR2021 | TE Connectivity | | | |
| | | CHK Niki Shi 12APR2021 | | | | |
| | | APVD Niki Shi 12APR2021 | NAME | | | |
| | | PRODUCT SPEC | 1.25mm PITCH WTB Conn. SMT R/A | | | |
| | | APPLICATION SPEC | - | | | |
| | | WEIGHT | SIZE A3 | CAGE CODE 00779 | DRAWING NO C-2390136 | RESTRICTED TO |
| MATERIAL NOTE 1 | | FINISH NOTE 2 | CUSTOMER DRAWING | | SCALE N/A | SHEET 3 OF 4 |
| | | | | | REV A | |

| REVISIONS | | | | | |
|-----------|-----|-------------|------|-----|------|
| P | LTR | DESCRIPTION | DATE | DWN | APVD |
| | - | SEE SHEET 1 | - | - | - |



- NOTE:
1. STAPLES SHOULD ONLY BE USED TO SET UP CARTON
ALL CARTONS CLOSURES MUST BE DONE WITH TAPE.
 2. FILL PACKAGING REEL WITH THE QUANTITIES AS INDICATED

| 7500(PCS) | 1500(PCS) | 5 | 15P | 7-2390136-5 | 5-2390136-5 |
|------------------|----------------|------------------|-----|-------------------------|----------------------|
| 7500(PCS) | 1500(PCS) | 5 | 14P | 7-2390136-4 | 5-2390136-4 |
| 7500(PCS) | 1500(PCS) | 5 | 13P | 7-2390136-3 | 5-2390136-3 |
| 7500(PCS) | 1500(PCS) | 5 | 12P | 7-2390136-2 | 5-2390136-2 |
| 7500(PCS) | 1500(PCS) | 5 | 11P | 7-2390136-1 | 5-2390136-1 |
| 7500(PCS) | 1500(PCS) | 5 | 10P | 7-2390136-0 | 5-2390136-0 |
| 7500(PCS) | 1500(PCS) | 5 | 9P | 6-2390136-9 | 4-2390136-9 |
| 7500(PCS) | 1500(PCS) | 5 | 8P | 6-2390136-8 | 4-2390136-8 |
| 7500(PCS) | 1500(PCS) | 5 | 7P | 6-2390136-7 | 4-2390136-7 |
| 7500(PCS) | 1500(PCS) | 5 | 6P | 6-2390136-6 | 4-2390136-6 |
| 15000(PCS) | 1500(PCS) | 10 | 5P | 6-2390136-5 | 4-2390136-5 |
| 15000(PCS) | 1500(PCS) | 10 | 4P | 6-2390136-4 | 4-2390136-4 |
| 15000(PCS) | 1500(PCS) | 10 | 3P | 6-2390136-3 | 4-2390136-3 |
| 15000(PCS) | 1500(PCS) | 10 | 2P | 6-2390136-2 | 4-2390136-2 |
| 7500(PCS) | 1500(PCS) | 5 | 15P | 3-2390136-5 | 1-2390136-5 |
| 7500(PCS) | 1500(PCS) | 5 | 14P | 3-2390136-4 | 1-2390136-4 |
| 7500(PCS) | 1500(PCS) | 5 | 13P | 3-2390136-3 | 1-2390136-3 |
| 7500(PCS) | 1500(PCS) | 5 | 12P | 3-2390136-2 | 1-2390136-2 |
| 7500(PCS) | 1500(PCS) | 5 | 11P | 3-2390136-1 | 1-2390136-1 |
| 7500(PCS) | 1500(PCS) | 5 | 10P | 3-2390136-0 | 1-2390136-0 |
| 7500(PCS) | 1500(PCS) | 5 | 9P | 2-2390136-9 | 2390136-9 |
| 7500(PCS) | 1500(PCS) | 5 | 8P | 2-2390136-8 | 2390136-8 |
| 7500(PCS) | 1500(PCS) | 5 | 7P | 2-2390136-7 | 2390136-7 |
| 7500(PCS) | 1500(PCS) | 5 | 6P | 2-2390136-6 | 2390136-6 |
| 15000(PCS) | 1500(PCS) | 10 | 5P | 2-2390136-5 | 2390136-5 |
| 15000(PCS) | 1500(PCS) | 10 | 4P | 2-2390136-4 | 2390136-4 |
| 15000(PCS) | 1500(PCS) | 10 | 3P | 2-2390136-3 | 2390136-3 |
| 15000(PCS) | 1500(PCS) | 10 | 2P | 2-2390136-2 | 2390136-2 |
| PARTS PER CARTON | PARTS PER REEL | REELS PER CARTON | POS | GOLD FLASH PLATING SPEC | MATT TIN PART NUMBER |

| | | | | | | | | | | | | | | | | | |
|-----------------------------------------------------------------------------------------------------------------------------------------------------------------------------------------------------------------------------------------------------------------|---------------|--------------------------|--------------------------------|-----------|--------------|-------|--------|-------|-------|-------|-----|--------|------|--------|---------|-----------------|----------------------|
| THIS DRAWING IS A CONTROLLED DOCUMENT. | | DWN Tommy Qian 12APR2021 | TE Connectivity | | | | | | | | | | | | | | |
| | | CHK Niki Shi 12APR2021 | | | | | | | | | | | | | | | |
| | | APVD Niki Shi 12APR2021 | NAME | | | | | | | | | | | | | | |
| DIMENSIONS: mm | | PRODUCT SPEC | 1.25mm PITCH WTB Conn. SMT R/A | | | | | | | | | | | | | | |
| TOLERANCES UNLESS OTHERWISE SPECIFIED: | | APPLICATION SPEC | - | | | | | | | | | | | | | | |
| <table border="1"> <tr><td>0 PLC</td><td>± 0.5</td></tr> <tr><td>1 PLC</td><td>± 0.25</td></tr> <tr><td>2 PLC</td><td>± 0.15</td></tr> <tr><td>3 PLC</td><td>± 0.1</td></tr> <tr><td>4 PLC</td><td>± -</td></tr> <tr><td>ANGLES</td><td>± 2'</td></tr> </table> | | 0 PLC | ± 0.5 | 1 PLC | ± 0.25 | 2 PLC | ± 0.15 | 3 PLC | ± 0.1 | 4 PLC | ± - | ANGLES | ± 2' | WEIGHT | SIZE A3 | CAGE CODE 00779 | DRAWING NO C-2390136 |
| 0 PLC | ± 0.5 | | | | | | | | | | | | | | | | |
| 1 PLC | ± 0.25 | | | | | | | | | | | | | | | | |
| 2 PLC | ± 0.15 | | | | | | | | | | | | | | | | |
| 3 PLC | ± 0.1 | | | | | | | | | | | | | | | | |
| 4 PLC | ± - | | | | | | | | | | | | | | | | |
| ANGLES | ± 2' | | | | | | | | | | | | | | | | |
| MATERIAL NOTE 1 | FINISH NOTE 2 | CUSTOMER DRAWING | RESTRICTED TO | SCALE N/A | SHEET 4 OF 4 | | | | | | | | | | | | |
| | | | | REV A | | | | | | | | | | | | | |