

A 120 -40 - Ferrule

1090640

<https://www.phoenixcontact.com/us/products/1090640>



Please be informed that the data shown in this PDF document is generated from our online catalog. Please find the complete data in the user documentation. Our general terms of use for downloads are valid.

Ferrule, length: 40 mm, color: silver



Commercial data

Item number	1090640
Packing unit	1 pc
Minimum order quantity	50 pc
Sales key	BH34
Product key	BH3412
Catalog page	Page 480 (C-3-2019)
GTIN	4055626901091
Weight per piece (including packing)	9.68 g
Weight per piece (excluding packing)	8.9 g
Customs tariff number	85369010
Country of origin	DE

A 120 -40 - Ferrule

1090640

<https://www.phoenixcontact.com/us/products/1090640>



Technical data

Notes

General	These ferrules are not included in DIN 46228-1: 1992-08
---------	---

Product properties

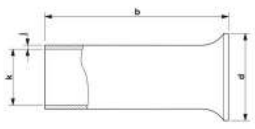
Product type	Cable end sleeve
Conductor category	stranded conductors, class 2, 5, 6 / B, C, K, M

Connection data

Conductor connection

Conductor cross section flexible max.	120 mm ²
Conductor cross section AWG max.	4/0
Stripping length	40 mm

Dimensions

Dimensional drawing	
Length	40 mm
Maximum stripping length	40 mm
Ferrule diameter	17.7 mm
Sleeve wall thickness	0.5 mm
Inner dimensions of the insulating collar	19 mm

Material specifications

Color	silver
Material	CU-DHP
Coating	tin-plated (galvanic)

Environmental and real-life conditions

Ambient conditions

Permanent temperature	105 °C
Short-term temperature	120 °C

A 120 -40 - Ferrule

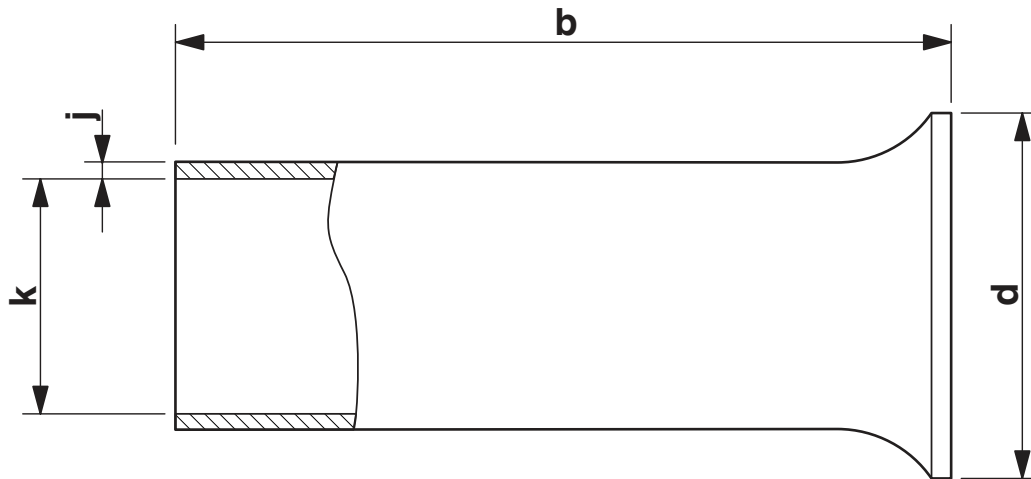
1090640

<https://www.phoenixcontact.com/us/products/1090640>



Drawings

Dimensional drawing



Sleeve length (b), insulating collar inner dimension (d), sleeve diameter (k), sleeve wall thickness (j)

A 120 -40 - Ferrule

1090640

<https://www.phoenixcontact.com/us/products/1090640>



Classifications

ECLASS

ECLASS-11.0	27400201
ECLASS-12.0	27400201
ECLASS-13.0	27400201

ETIM

ETIM 8.0	EC000005
----------	----------

UNSPSC

UNSPSC 21.0	27121700
-------------	----------

A 120 -40 - Ferrule

1090640

<https://www.phoenixcontact.com/us/products/1090640>



Environmental product compliance

China RoHS	Environmentally friendly use period: unlimited = EFUP-e
	No hazardous substances above threshold values

A 120 -40 - Ferrule

1090640

<https://www.phoenixcontact.com/us/products/1090640>



Accessories

CRIMPFOX-C120 - Crimping pliers

1212318

<https://www.phoenixcontact.com/us/products/1212318>



Basic pliers, for accommodating dies for a wide range of type of contacts up to 120 mm²

CRIMPFOX-C120 AI 120/DIE - Crimp insert

1209910

<https://www.phoenixcontact.com/us/products/1209910>



Die (pair), for CRIMPFOX-C120, for ferrules (DIN 46228) 120 mm², trapezoid crimp

Phoenix Contact 2023 © - all rights reserved

<https://www.phoenixcontact.com>

Phoenix Contact USA

586 Fulling Mill Road

Middletown, PA 17057, United States

(+717) 944-1300

info@phoenixcon.com