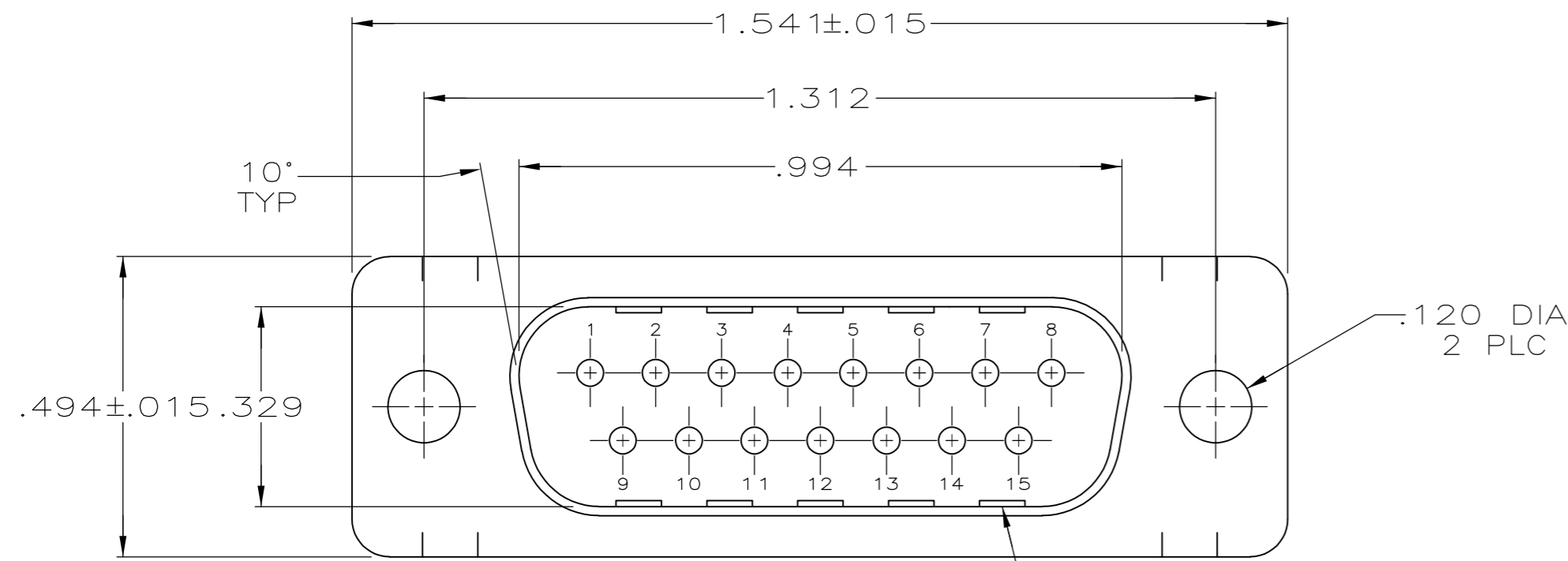
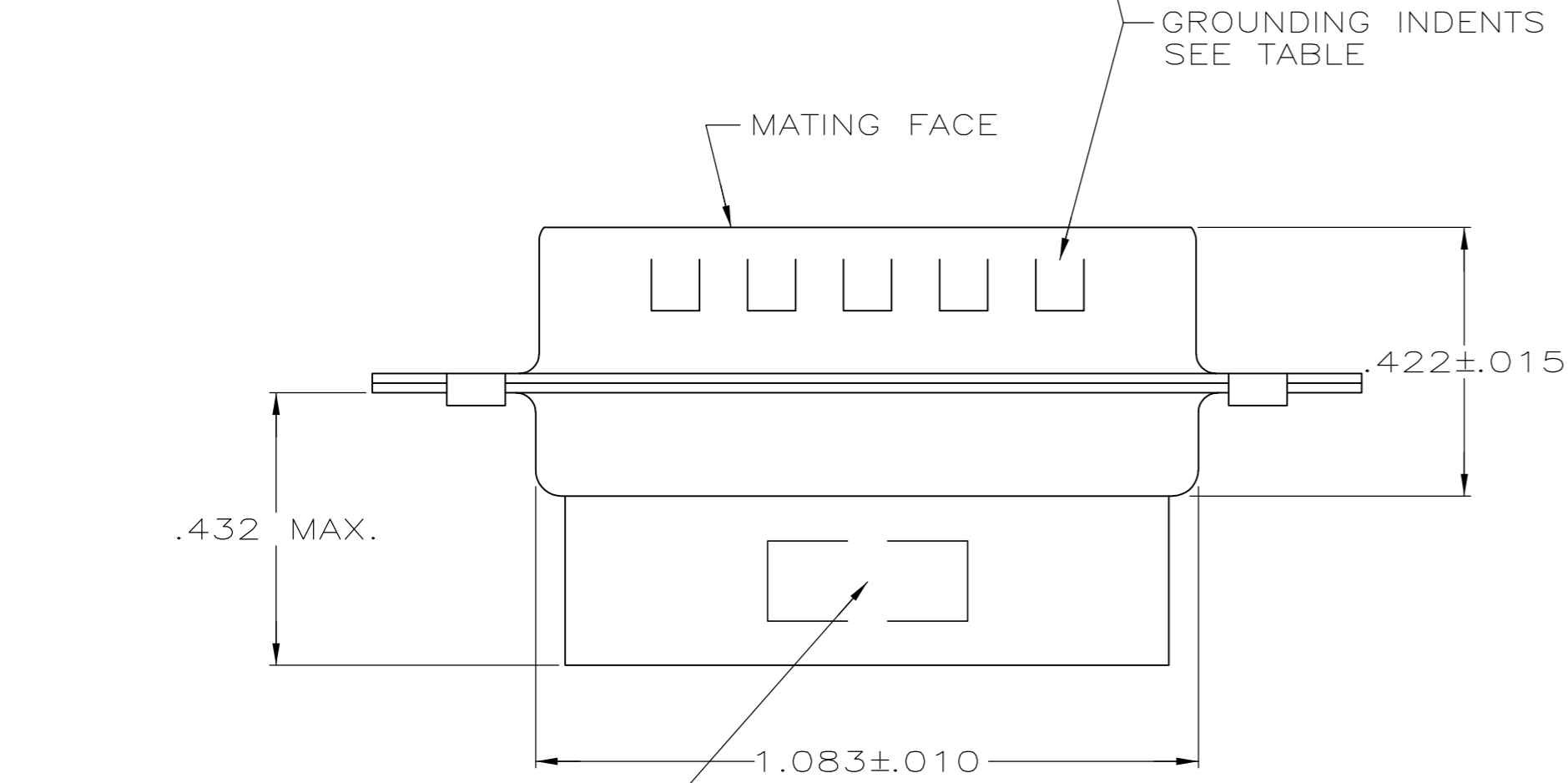


THIS DRAWING IS UNPUBLISHED. RELEASED FOR PUBLICATION
 © COPYRIGHT - By - ALL RIGHTS RESERVED.

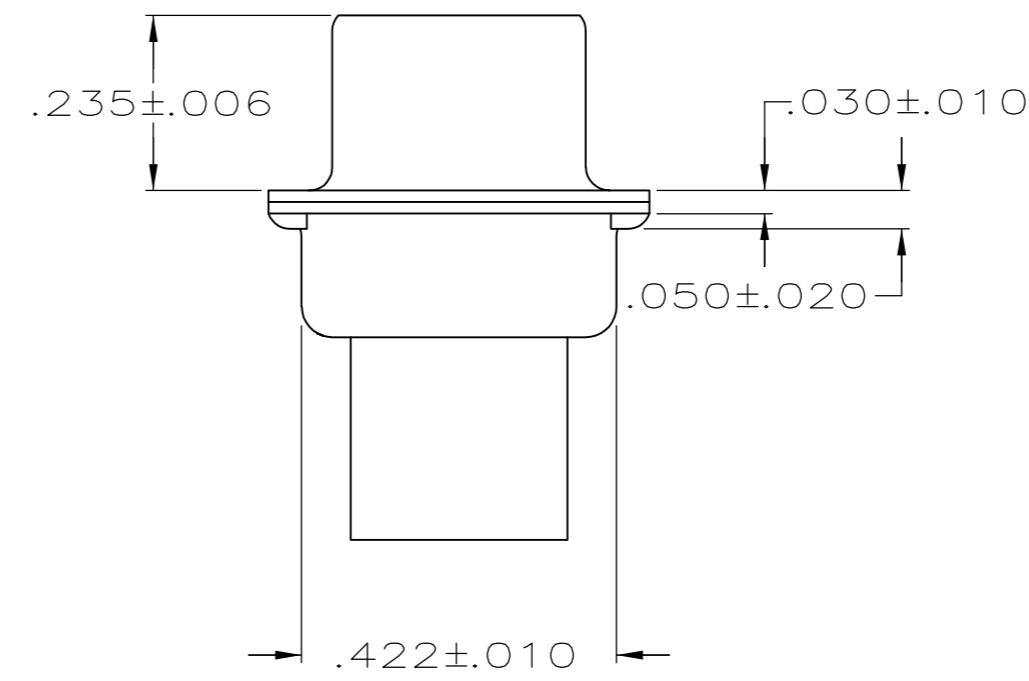
LOC		DIST		REVISIONS			
P	LTR	DESCRIPTION		DATE	DWN	APVD	
GP	00	L		REVISED PER ECO-14-011808	09AUG2014	AP	SB



- CONNECTOR ACCEPTS SIZE 20 DF PIN CONTACTS, RETENTION TINES ARE AN INTEGRAL PART OF INSERT.
- CONNECTOR COMPLIES WITH 108-40005 WHERE APPLICABLE.
- GLASS-FILLED PBT OR GLASS-FILLED NYLON, UL94V-0 RATED. COLOR: BLACK
- STEEL PER ASTM A109.
- ZINC PLATED PER ASTM B633; TYPE II; CLASS SC1; YELLOW CHROMATE.
- TIN OR TIN-LEAD PLATED OVER COPPER UNDERPLATE.
- TIN PLATED OVER COPPER UNDERPLATE.
- ZINC PLATED .000200-.000400 THICK, YELLOW TRIVALENT CHROMIUM CHROMATE COATING.



"AMP", PART NO. & DATE CODE, MARKED IN AREA INDICATED, ON FAR SIDE



PACKAGING TYPE	SHELL FINISH	GROUNDING INDENTS	PART NUMBER
STANDARD	8	NO	205206-9
STANDARD	7	NO	205206-8
OBSOLETE SMALL PACK	5	NO	205206-6
STANDARD	7	YES	205206-3
OBSOLETE STANDARD	6	NO	205206-2
OBSOLETE STANDARD	5	NO	205206-1

THIS DRAWING IS A CONTROLLED DOCUMENT.		DWN	7-19-85	TE TE Connectivity	
DIMENSIONS: INCHES		CHK	7-29-85		
TOLERANCES UNLESS OTHERWISE SPECIFIED:		APVD	7-31-85	NAME	
0 PLC ± -	1 PLC ± -	V.KUMAR		PLUG CONNECTOR, SIZE 2, 15 POSITION, AMPLIMITE HDP	
2 PLC ± -	3 PLC ± .005	PRODUCT SPEC		SIZE	CAGE CODE
4 PLC ± -	ANGLES ± 2°	APPLICATION SPEC		A2	00779
MATERIAL FINISH	SHELLS: SEE TABLE	WEIGHT		DRAWING NO	RESTRICTED TO
MOLDED PARTS: 3	SHELLS: 4	-		C=205206	-
CUSTOMER DRAWING				SCALE	SHEET
				NTS	1 of 1