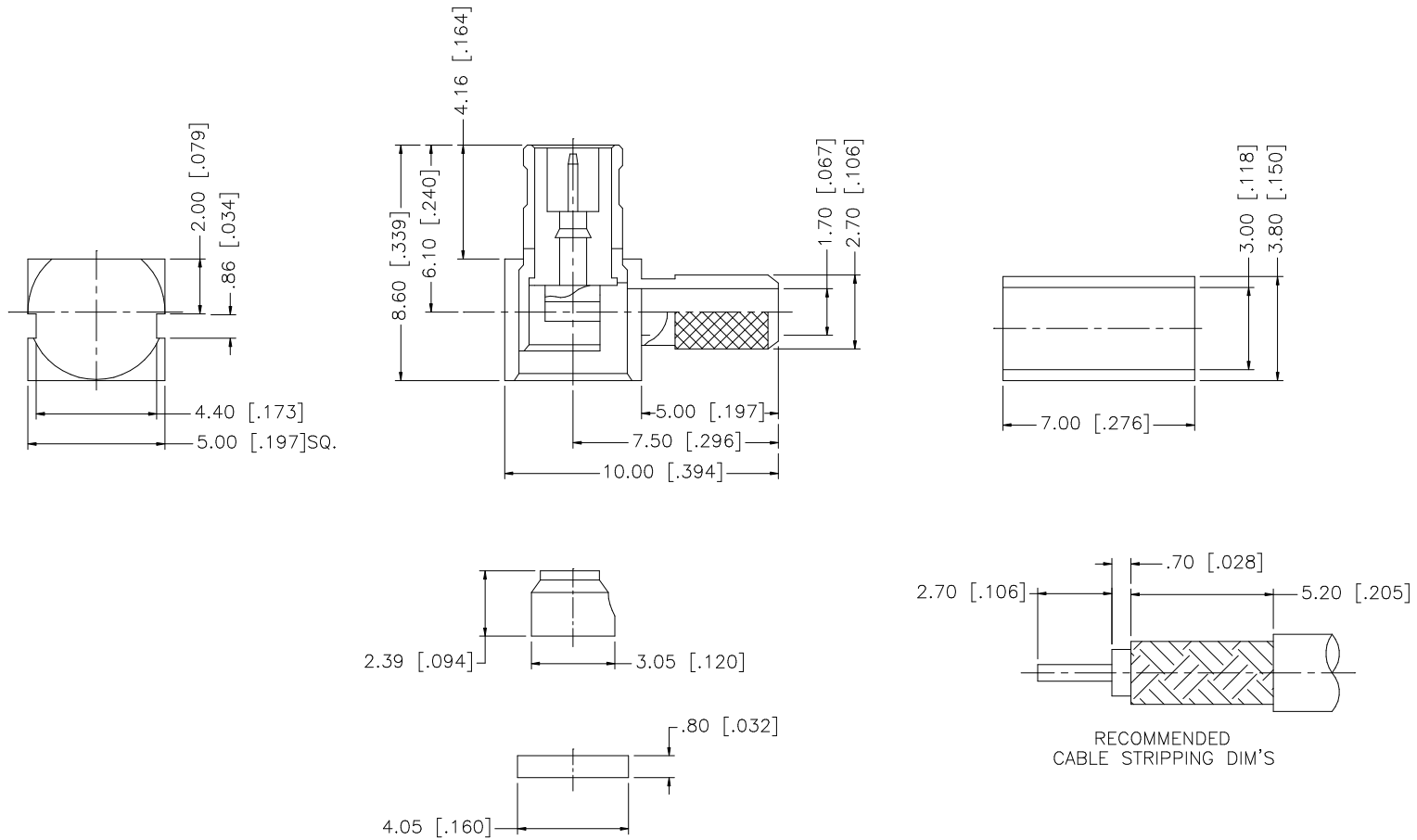


REV.	DATE	DESCRIPTION
A	06/05/03	UPDATE DRAWING FORMAT
B	11/13/06	MODIFY BARREL O.D. TO 2.7mm



NOTE:

1. CRIMPED FERRULE HEX CRIMP SIZE .128"
2. CONTACT PIN TO SOLDER

REV.	DATE	DESCRIPTION
8		
7		
6	FERRULE	COPPER
5	COVER	BRASS
4	INSULATOR	DELTRIN
3	CONTACT PIN	BRASS
2	INSULATOR	TEFLON
1	BODY	BER. COPPER
DESCRIPTION	MATERIAL	FINISH
		QTY

UNLESS OTHERWISE SPECIFIED DIMENSIONS ARE IN MILLIMETERS. DIMENSIONS IN [] ARE IN INCHES AND FOR CUSTOMER REFERENCE ONLY.		APPROVALS	DATE
UNLESS OTHERWISE SPECIFIED TOLERANCES FOR MILLIMETERS ARE: 0.5 - 8mm ± 0.20mm 8 - 30mm ± 0.40mm 30 - 120mm ± 0.50mm		DRAWN G.R.S.	11/13/06
UNLESS OTHERWISE SPECIFIED TOLERANCES FOR INCHES ARE: .020 - .315 = ± 0.007" .315 - 1.180 = ± 0.015" 1.180 - 4.724 = ± 0.020"		CHECKED	
DO NOT SCALE DRAWING		ISSUED	
		SHEET 1 OF 1	
		CAD FILE C:/252/252102.DWG	

Amphenol Connex			
PART DESCRIPTION			
MCX R/A CRIMP PLUG RG 174/u, 188/u, 316/u CABLE			
PART NO. 252102			
DWG. NO.	252102.DWG	REV. B	SIZE A
		SCALE	NA