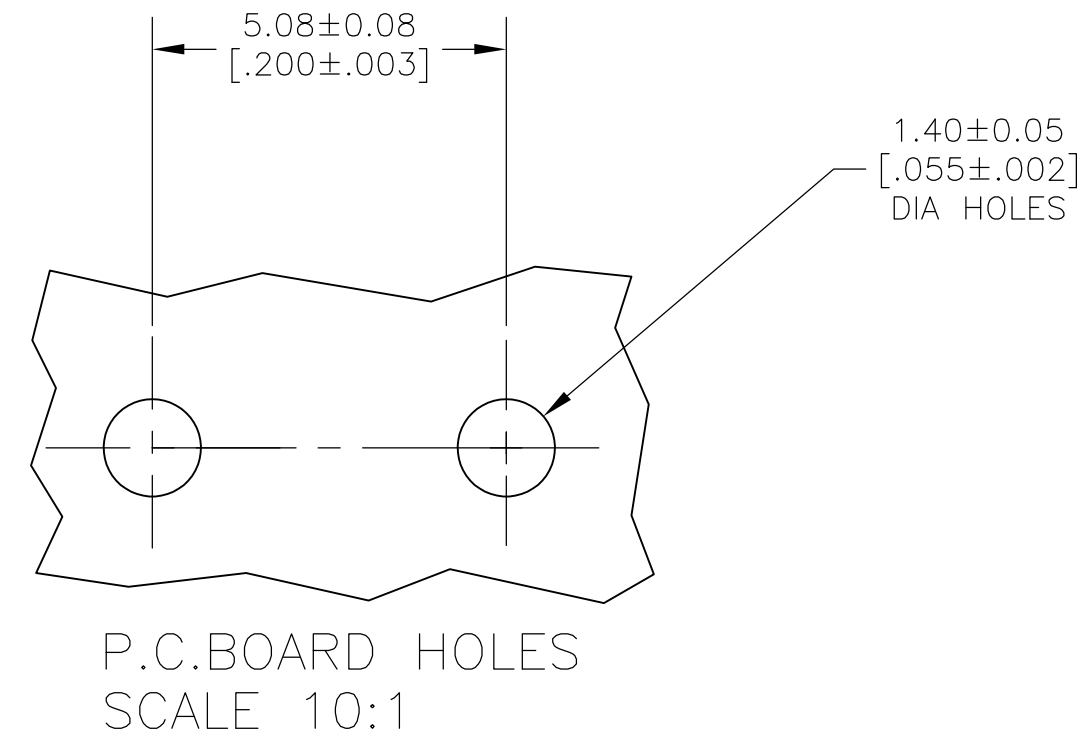
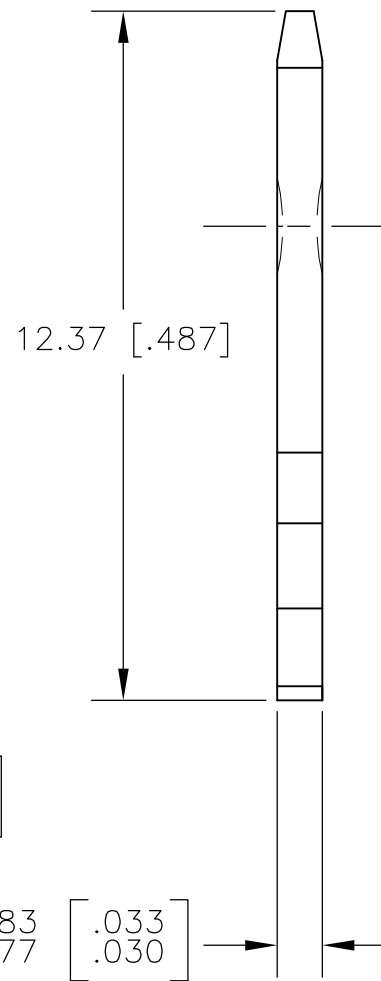
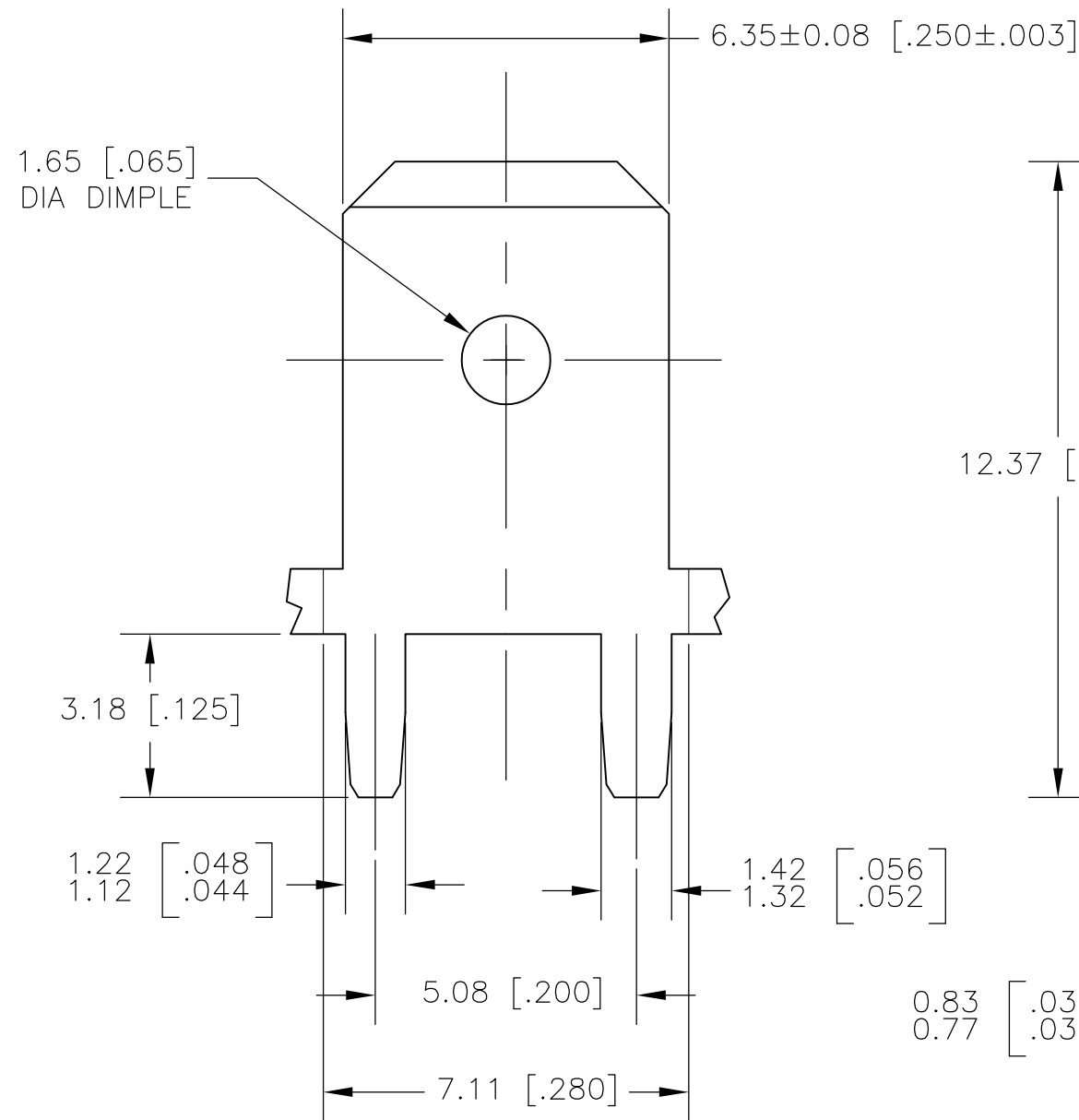



THIS DRAWING IS UNPUBLISHED. RELEASED FOR PUBLICATION - , - .
 © COPYRIGHT - By - ALL RIGHTS RESERVED.

LOC	DIST	REVISIONS			
P	LTR	DESCRIPTION	DATE	DWN	APVD
AF	50				
	J	REVISED PER ECR-13-001204	04JUN13	KH	PD



1 CONTINUOUS STRIP ON REELS.
 2 0.00381 [.000150] MIN TIN OVER
 0.00254 [.000100] MIN THK COPPER.

62650-1
 PART NUMBER

THIS DRAWING IS A CONTROLLED DOCUMENT.		DWN JR RUTH 30NOV00	 TE Connectivity		
DIMENSIONS: MM [INCHES]		CHK MS FEHER 30NOV00			
TOLERANCES UNLESS OTHERWISE SPECIFIED:		APVD G PORTA 30NOV00	NAME TAB, FASTON, PC BOARD, 6.35 [.250] SERIES		
0 PLC ± - 1 PLC ± - 2 PLC ± 0.38 [.015] 3 PLC ± - 4 PLC ± - ANGLES ± -		PRODUCT SPEC -	APPLICATION SPEC 114-2112		
MATERIAL BRASS	FINISH TIN OVER COPPER	WEIGHT -	SIZE A3	CAGE CODE 00779	DRAWING NO C-62650
CUSTOMER DRAWING			RESTRICTED TO -	SCALE 8:1	SHEET 1 OF 1
			REV J		