

## MM54HC237/MM74HC237 3-to-8 Line Decoder With Address Latches

### General Description

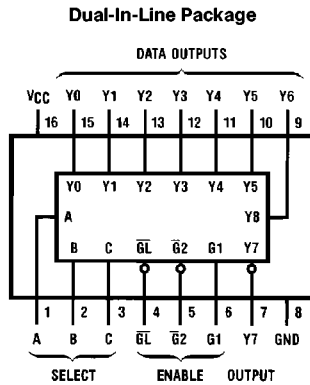
These devices utilize advanced silicon-gate CMOS technology, to implement a three-to-eight line decoder with latches on the three address inputs. When  $\overline{GL}$  goes from low to high, the address present at the select inputs (A, B and C) is stored in the latches. As long as  $\overline{GL}$  remains high no address changes will be recognized. Output enable controls, G1 and  $\overline{G2}$ , control the state of the outputs independently of the select or latch-enable inputs. All of the outputs are low unless G1 is high and  $\overline{G2}$  is low. The 'HC237 is ideally suited for the implementation of glitch-free decoders in stored-address applications in bus oriented systems.

The 54HC/74HC logic family is speed, function and pin-out compatible with the standard 54LS/74LS logic family. All inputs are protected from damage due to static discharge by diodes to  $V_{CC}$  and ground.

### Features

- Typical propagation delay: 20 ns
- Wide supply range: 2–6V
- Latched inputs for easy interfacing
- Fanout of 10 LS-TTL loads

### Connection Diagram



TL/F/5326-1

Order Number MM54HC237 or MM74HC237

### Truth Table

INPUTS			OUTPUTS										
ENABLE			SELECT			Y0	Y1	Y2	Y3	Y4	Y5	Y6	Y7
$\overline{GL}$	G1	$\overline{G2}$	C	B	A								
X	X	H	X	X	X	L	L	L	L	L	L	L	L
X	L	X	X	X	X	L	L	L	L	L	L	L	L
L	H	L	L	L	L	H	L	L	L	L	L	L	L
L	H	L	L	L	H	L	H	L	L	L	L	L	L
L	H	L	L	H	L	L	L	H	L	L	L	L	L
L	H	L	L	H	H	L	L	L	L	L	L	L	L
L	H	L	L	H	H	L	L	L	L	L	L	L	L
L	H	L	L	H	H	H	L	L	L	L	L	L	H
H	H	L	X	X	X	Output corresponding to stored address, L; all others, H							

H = high level, L = low level, X = irrelevant

## Absolute Maximum Ratings (Notes 1 & 2)

If Military/Aerospace specified devices are required, please contact the National Semiconductor Sales Office/Distributors for availability and specifications.

Supply Voltage ( $V_{CC}$ )	-0.5 to +7.0V
DC Input Voltage ( $V_{IN}$ )	-1.5 to $V_{CC}$ + 1.5V
DC Output Voltage ( $V_{OUT}$ )	-0.5 to $V_{CC}$ + 0.5V
Clamp Diode Current ( $I_{IK}, I_{OK}$ )	±20 mA
DC Output Current, per pin ( $I_{OUT}$ )	±25 mA
DC $V_{CC}$ or GND Current, per pin ( $I_{CC}$ )	±50 mA
Storage Temperature Range ( $T_{STG}$ )	-65°C to +150°C
Power Dissipation ( $P_D$ )	
(Note 3)	600 mW
S.O. Package only	500 mW
Lead Temperature	
( $T_L$ ) (Soldering 10 seconds)	260°C

## Operating Conditions

	Min	Max	Units
Supply Voltage ( $V_{CC}$ )	2	6	V
DC Input or Output Voltage ( $V_{IN}, V_{OUT}$ )	0	$V_{CC}$	V
Operating Temp. Range ( $T_A$ )			
MM74HC	-40	+85	°C
MM54HC	-55	+125	°C
Input Rise or Fall Times ( $t_r, t_f$ )			
$V_{CC} = 2.0V$		1000	ns
$V_{CC} = 4.5V$		500	ns
$V_{CC} = 6.0V$		400	ns

## DC Electrical Characteristics (Note 4)

Symbol	Parameter	Conditions	$V_{CC}$	$T_A = 25^\circ C$		74HC $T_A = -40$ to $85^\circ C$		54HC $T_A = -55$ to $125^\circ C$		Units
				Typ	Guaranteed Limits					
$V_{IH}$	Minimum High Level Input Voltage		2.0V		1.5	1.5	1.5		V	
			4.5V		3.15	3.15	3.15		V	
			6.0V		4.2	4.2	4.2		V	
$V_{IL}$	Maximum Low Level Input Voltage**		2.0V		0.5	0.5	0.5		V	
			4.5V		1.35	1.35	1.35		V	
			6.0V		1.8	1.8	1.8		V	
$V_{OH}$	Minimum High Level Output Voltage	$V_{IN} = V_{IH}$ or $V_{IL}$ $ I_{OUT}  \leq 20 \mu A$	2.0V	2.0	1.9	1.9	1.9		V	
			4.5V	4.5	4.4	4.4	4.4		V	
			6.0V	6.0	5.9	5.9	5.9		V	
		$V_{IN} = V_{IH}$ or $V_{IL}$ $ I_{OUT}  \leq 4.0$ mA $ I_{OUT}  \leq 5.2$ mA	4.5V	4.2	3.98	3.84	3.7		V	
			6.0V	5.7	5.48	5.34	5.2		V	
$V_{OL}$	Maximum Low Level Output Voltage	$V_{IN} = V_{IH}$ or $V_{IL}$ $ I_{OUT}  \leq 20 \mu A$	2.0V	0	0.1	0.1	0.1		V	
			4.5V	0	0.1	0.1	0.1		V	
			6.0V	0	0.1	0.1	0.1		V	
		$V_{IN} = V_{IH}$ or $V_{IL}$ $ I_{OUT}  \leq 4.0$ mA $ I_{OUT}  \leq 5.2$ mA	4.5V	0.2	0.26	0.33	0.4		V	
			6.0V	0.2	0.26	0.33	0.4		V	
$I_{IN}$	Maximum Input Current	$V_{IN} = V_{CC}$ or GND	6.0V		±0.1	±1.0	±1.0		μA	
$I_{CC}$	Maximum Quiescent Supply Current	$V_{IN} = V_{CC}$ or GND $I_{OUT} = 0 \mu A$	6.0V		8.0	80	160		μA	

**Note 1:** Absolute Maximum Ratings are those values beyond which damage to the device may occur.

**Note 2:** Unless otherwise specified all voltages are referenced to ground.

**Note 3:** Power Dissipation temperature derating — plastic "N" package: -12 mW/°C from 65°C to 85°C; ceramic "J" package: -12 mW/°C from 100°C to 125°C.

**Note 4:** For a power supply of 5V ±10% the worst case output voltages ( $V_{OH}$  and  $V_{OL}$ ) occur for HC at 4.5V. Thus the 4.5V values should be used when designing with this supply. Worst case  $V_{IH}$  and  $V_{IL}$  occur at  $V_{CC} = 5.5V$  and 4.5V respectively. (The  $V_{IH}$  value at 5.5V is 3.85V.) The worst case leakage current ( $I_{IN}$ ,  $I_{CC}$ , and  $I_{OZ}$ ) occur for CMOS at the higher voltage and so the 6.0V values should be used.

\*\* $V_{IL}$  limits are currently tested at 20% of  $V_{CC}$ . The above  $V_{IL}$  specification (30% of  $V_{CC}$ ) will be implemented no later than Q1, CY'89.

**AC Electrical Characteristics**  $V_{CC}=5V$ ,  $T_A=25^\circ C$ ,  $C_L=15\text{ pF}$ ,  $t_r=t_f=6\text{ ns}$

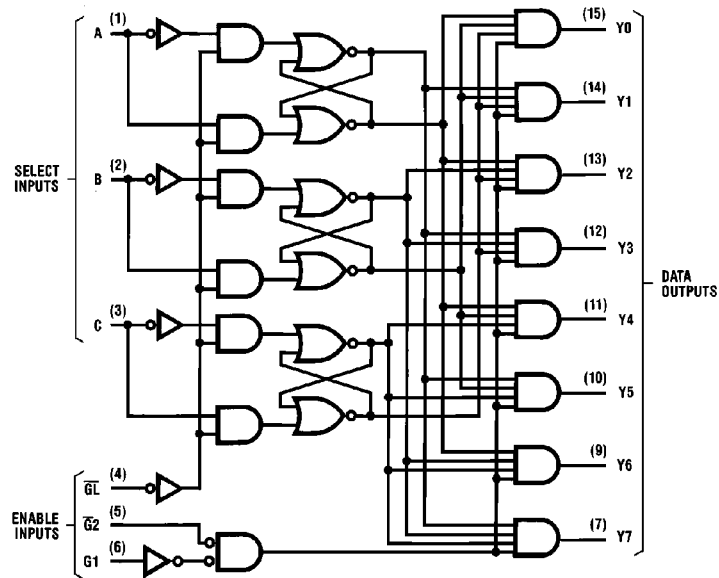
Symbol	Parameter	Conditions	Typ	Guaranteed Limit	Units
$t_{PLH}$	Maximum Propagation Delay A, B or C to any Y Output		20	41	ns
$t_{PLH}$	Maximum Propagation Delay A, B or C to any Y Output		16	32	ns
$t_{PLH}$	Maximum Propagation $\overline{GL}$ to any Y Output		22	44	ns
$t_{PHL}$	Maximum Propagation Delay $\overline{GL}$ to any Y Output		17	33	ns
$t_{PLH}$	Maximum Propagation Delay G1 or $\overline{G2}$ to Output		16	35	ns
$t_{PHL}$	Maximum Propagation Delay G1 or $\overline{G2}$ to Output		14	25	ns
$t_S$	Minimum Set Up Time at A, B and C Inputs		10	20	ns
$t_H$	Minimum Hold Time at A, B and C Inputs		-3	0	ns
$t_W$	Minimum Pulse Width of Enabling Pulse at $\overline{GL}$		9	16	ns

**AC Electrical Characteristics**  $C_L=50\text{ pF}$ ,  $t_r=t_f=6\text{ ns}$  (unless otherwise specified)

Symbol	Parameter	Conditions	$V_{CC}$	$T_A=25^\circ C$		74HC	54HC	Units
						$T_A=-40\text{ to }85^\circ C$	$T_A=-55\text{ to }125^\circ C$	
				Typ	Guaranteed Limits			
$t_{PLH}$	Maximum Propagation Delay, A, B or C to any Y Output		2.0V	100	235	296	350	ns
			4.5V	24	47	59	70	ns
			6.0V	20	40	50	60	ns
$t_{PLH}$	Maximum Propagation Delay, A, B or C to any Y Output		2.0V	80	185	233	276	ns
			4.5V	19	37	47	55	ns
			6.0V	17	31	40	47	ns
$t_{PLH}$	Maximum Propagation $\overline{GL}$ to any Y Output		2.0V	125	250	315	373	ns
			4.5V	25	50	63	75	ns
			6.0V	20	43	54	63	ns
$t_{PHL}$	Maximum Propagation Delay $\overline{GL}$ to any Y Output		2.0V	95	190	239	283	ns
			4.5V	19	38	48	75	ns
			6.0V	16	32	41	48	ns
$t_{PLH}$	Maximum Propagation Delay, G1 or $\overline{G2}$ to Output		2.0V	100	200	252	298	ns
			4.5V	20	40	50	60	ns
			6.0V	17	34	43	51	ns
$t_{PHL}$	Maximum Propagation Delay G1 or $\overline{G2}$ to Output		2.0V	73	145	183	216	ns
			4.5V	15	29	37	43	ns
			6.0V	12	25	31	37	ns
$t_S$	Minimum Set Up Time at A, B and C Inputs		2.0V		100	125	150	ns
			4.5V		20	25	30	ns
			6.0V		17	21	25	ns
$t_H$	Minimum Hold Time at A, B and C Inputs		2.0V		0	0	0	ns
			4.5V		0	0	0	ns
			6.0V		0	0	0	ns
$t_W$	Minimum Pulse Width of Enabling Pulse at $\overline{GL}$		2.0V	30	80	100	120	ns
			4.5V	10	16	20	24	ns
			6.0V	9	14	18	20	ns
$t_{TLH}, t_{THL}$	Maximum Output Rise and Fall Time		2.0V	30	75	95	110	ns
			4.5V	8	15	19	22	ns
			6.0V	7	13	16	19	ns
$C_{PD}$	Power Dissipation Capacitance (Note 5)		75				pF	
$C_{IN}$	Maximum Input Capacitance		5	10	10	10	pF	

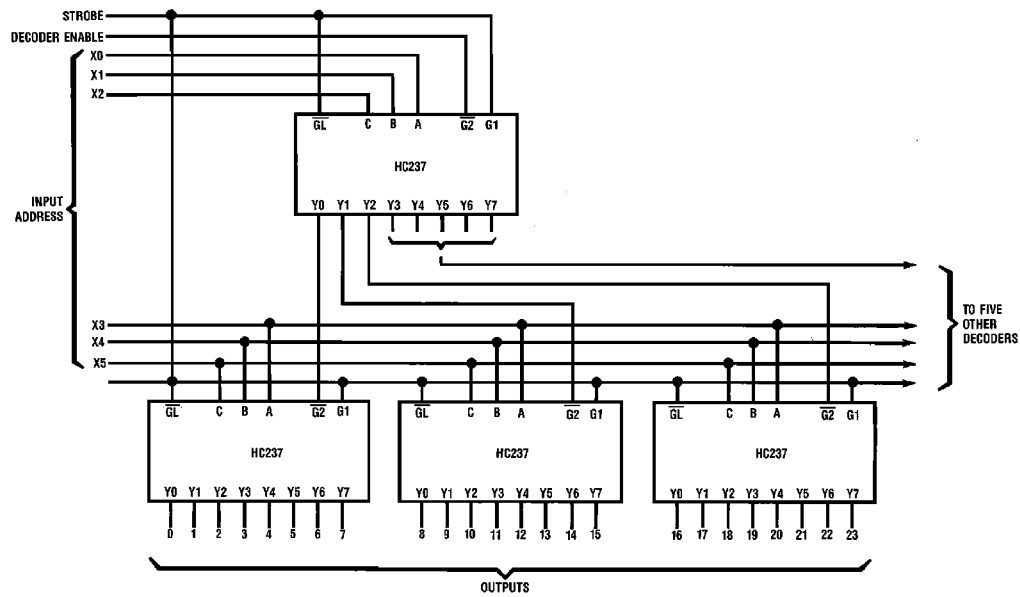
**Note 5:**  $C_{PD}$  determines the no load dynamic power consumption,  $P_D=C_{PD} V_{CC}^2 f+I_{CC} V_{CC}$ , and the no load dynamic current consumption,  $I_S=C_{PD} V_{CC} f+I_{CC}$ .

## Functional Block Diagram



TL/F/5326-2

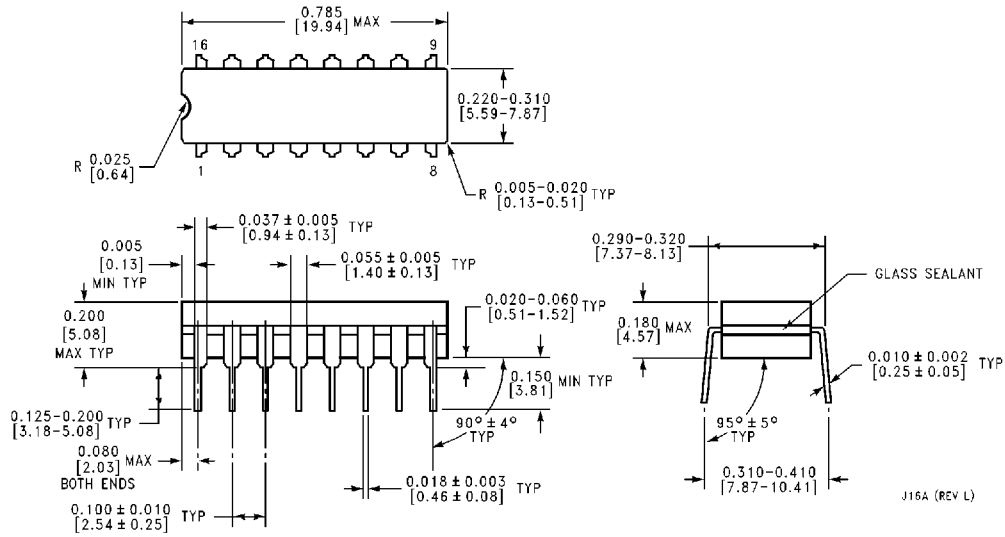
## Typical Application



6-Line to 64-Line Decoder with Input Address Storage

TL/F/5326-3

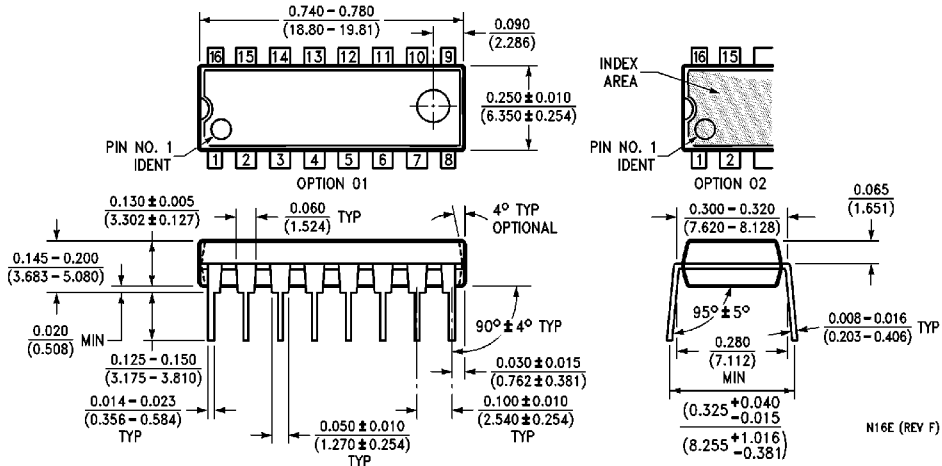
**Physical Dimensions** inches (millimeters)



**Ceramic Dual-In-Line Package (J)**  
**Order Number MM54HC237J or MM74HC237J**  
**NS Package Number J16A**

J16A (REV L)

**Physical Dimensions** inches (millimeters) (Continued)



**Molded Dual-In-Line Package (N)**  
**Order Number MM74HC237N**  
**NS Package Number N16E**

**LIFE SUPPORT POLICY**

NATIONAL'S PRODUCTS ARE NOT AUTHORIZED FOR USE AS CRITICAL COMPONENTS IN LIFE SUPPORT DEVICES OR SYSTEMS WITHOUT THE EXPRESS WRITTEN APPROVAL OF THE PRESIDENT OF NATIONAL SEMICONDUCTOR CORPORATION. As used herein:

1. Life support devices or systems are devices or systems which, (a) are intended for surgical implant into the body, or (b) support or sustain life, and whose failure to perform, when properly used in accordance with instructions for use provided in the labeling, can be reasonably expected to result in a significant injury to the user.
2. A critical component is any component of a life support device or system whose failure to perform can be reasonably expected to cause the failure of the life support device or system, or to affect its safety or effectiveness.



**National Semiconductor Corporation**  
 1111 West Bardin Road  
 Arlington, TX 76017  
 Tel: 1(800) 272-9959  
 Fax: 1(800) 737-7018

**National Semiconductor Europe**  
 Fax: (+49) 0-180-530 85 86  
 Email: onjwge@tevm2.nsc.com  
 Deutsch Tel: (+49) 0-180-530 85 85  
 English Tel: (+49) 0-180-532 78 32  
 Français Tel: (+49) 0-180-532 93 58  
 Italiano Tel: (+49) 0-180-534 16 80

**National Semiconductor Hong Kong Ltd.**  
 13th Floor, Straight Block,  
 Ocean Centre, 5 Canton Rd.  
 Tsimshatsui, Kowloon  
 Hong Kong  
 Tel: (852) 2737-1600  
 Fax: (852) 2736-9960

**National Semiconductor Japan Ltd.**  
 Tel: 81-043-299-2309  
 Fax: 81-043-299-2408

National does not assume any responsibility for use of any circuitry described, no circuit patent licenses are implied and National reserves the right at any time without notice to change said circuitry and specifications.