

π (f)N<sub>pr</sub> Lsk`cp8 J @4000+0. B J V?+?

π (f)Q<sub>psars</sub>pc8 Rfc J CB jgef r `p knsl rcb J CB bgac &`\_pc afgn' nh qs`qrp\_rc `w\_pp\_w  
©0qcp<sub>g\_j</sub> On\_p\_jj<sub>cj</sub> Oan<sub>j</sub>np©

⌚ (f)?nnj ga<sub>rgn</sub>h8 J gef rgl e qns<sub>pac</sub>

⌚ (f)K<sub>vgksk</sub> An<sub>h</sub>bgr<sub>gn</sub>h © | ■ r π ⌚ J ©

Grck	Q <sub>ak`n</sub> j	An <sub>h</sub> bgr <sub>gn</sub> h	Sl gr
?bkgqag`gj grw bgagn <sub>rgn</sub> h π /	Nm	0,66	⌚
D <sub>npu</sub> _pb Asp <sub>pcl</sub> r π /	G <sub>b</sub>	.,2	~
M <sub>ncp</sub> _rgn <sub>h</sub> Rck <sub>ncp</sub> _r <sub>spc</sub>	R <sub>rm</sub>	+1. (h) 63	J
N <sub>pcqcp</sub> t_rgn <sub>h</sub> Rck <sub>ncp</sub> _r <sub>spc</sub>	R <sub>qre</sub>	+2. (h) /..	J
H <sub>sl</sub> argn <sub>h</sub> Rck <sub>ncp</sub> _r <sub>spc</sub>	Rh	/03	J

π / (h)nhc an<sub>j</sub>np© B943..I - J905..I ©

⌚ (f)C<sub>j</sub> car<sub>pga\_j</sub> \_l b n<sub>mrga\_j</sub> Af\_p\_ar<sub>cpqrgaq</sub> © | ■ r π ⌚ J ©

Grck	Q <sub>ak`n</sub> j	K <sub>gl</sub> ,	R <sub>wn</sub> ,	K <sub>v</sub> ,	Sl gr	An <sub>h</sub> bgr <sub>gn</sub> h
D <sub>npu</sub> _pb T <sub>njr</sub> _ec π 0	<sub>D</sub>	3,1	3,6	4,1	T	G <sub>b</sub> /3. k?
J skgl nsq Dj sv &B' π 1	≠ <sub>t</sub>	//2,7	//6,3	+	jk	G <sub>b</sub> /3. k?
J skgl nsq Dj sv &J' π 1	≠ <sub>t</sub>	76,1	/.,2	+	jk	G <sub>b</sub> /3. k?
An <sub>j</sub> np Rck <sub>ncp</sub> _r <sub>spc</sub> ©B©	R <sub>an</sub>	4.03	42.4	4565	I	G <sub>b</sub> /3. k?
An <sub>j</sub> np Rck <sub>ncp</sub> _r <sub>spc</sub> ©J©	R <sub>an</sub>	04/1	0517	0643	I	G <sub>b</sub> /3. k?
Bct <sub>g</sub> _rgn <sub>h</sub> An <sub>j</sub> np©B©	bst	)...7	)...26	)...64	+	G <sub>b</sub> /3. k?
Bct <sub>g</sub> _rgn <sub>h</sub> An <sub>j</sub> np©J©	bst	+,...12	)...2	)...2/	+	G <sub>b</sub> /3. k?
Ecl <sub>cp_j</sub> An <sub>j</sub> np Pcl bc <sub>pgl</sub> e G <sub>bcv</sub>	■ _	53	6.	+	+	G <sub>b</sub> /3. k?

π / (h)kc<sub>qspckcl</sub> r r<sub>nj</sub>cp\_l ac(h) | 1 |

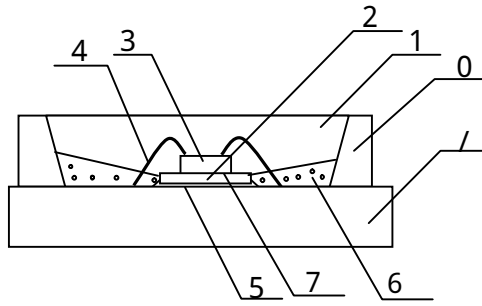
π 0(h)kc<sub>qspckcl</sub> r r<sub>nj</sub>cp\_l ac(h) | 5 |

π Rfcqc b\_r\_ \_pc kc<sub>qspcb</sub> `w\_ kc<sub>qspgl</sub> e cosgn<sub>kl</sub> r an<sub>knj</sub>v<sub>gl</sub> e ugrf AGC/03 An<sub>h</sub>bgr<sub>gn</sub>h ©

BCQ&L	AFCAI	?NNPMT?J	DATE: 2012/9/6	SPECIFICATION No.: R_pecr QNCA
			REV. A	<b>ROHM Co.,Ltd.</b>



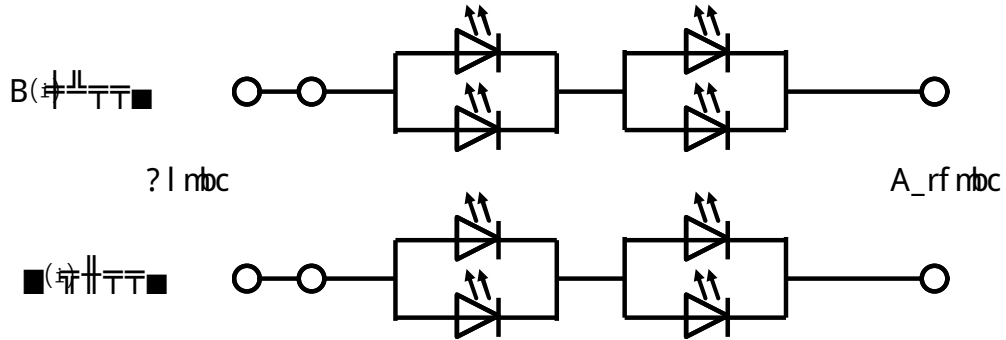
† , Qpsarspc



Lm	N_prq L_kc	K_rcpg_j
/	Qs`qrp_rc	ACK+1 Qs`qrp_rc
0	Ufgrc Pcqgl	Qj gamh c Pcqgl
1	Pcqgl	Qj gamh c Pcqgl
2	Qs`Knslr Qs`qrp_rc	Qg
3	J CB Bgc	Gl E_L mh Q nnf gpc
4	@mh bgl e Ugpc	?s
5	Bgc @mh b	?e
6	Ufgrc Pcqgl	Qj gamh c Pcqgl ⊕ RgM⊕
7	Bgc @mh b	Qj gamh c Pcqgl

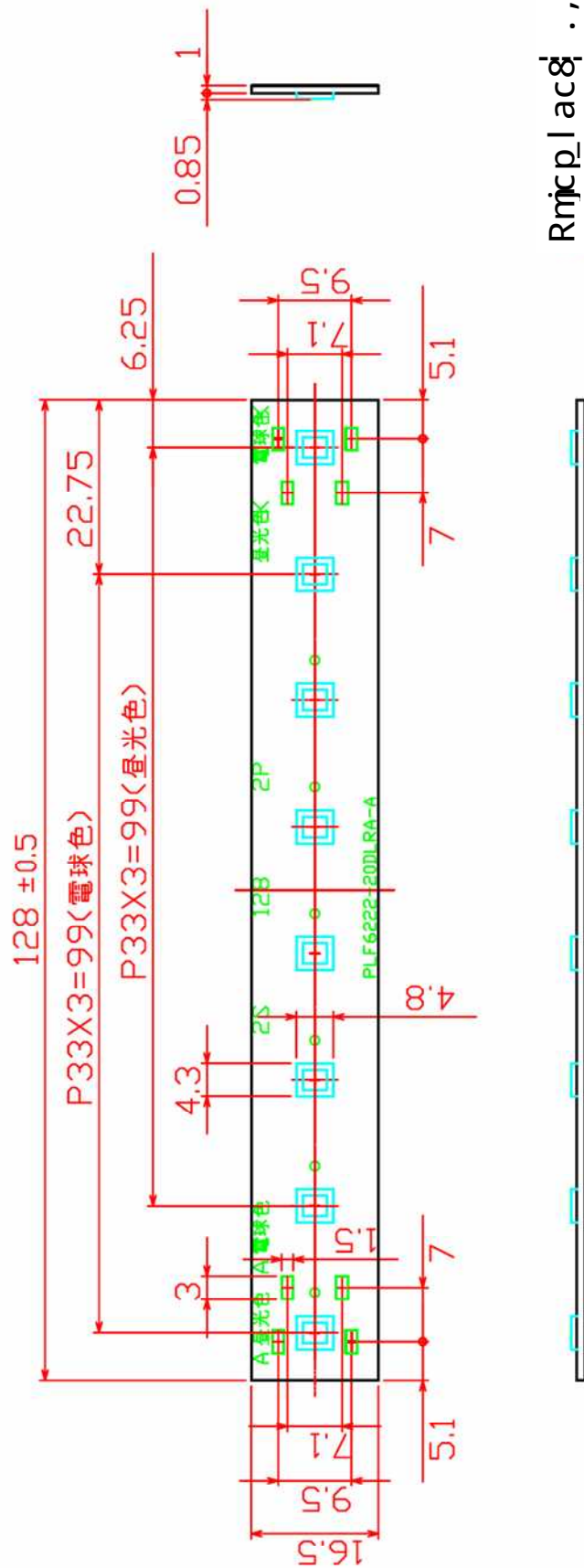
† (f) Agpasgr Bg\_ep\_k

0 qcpj 0 n\_p\_jj cj

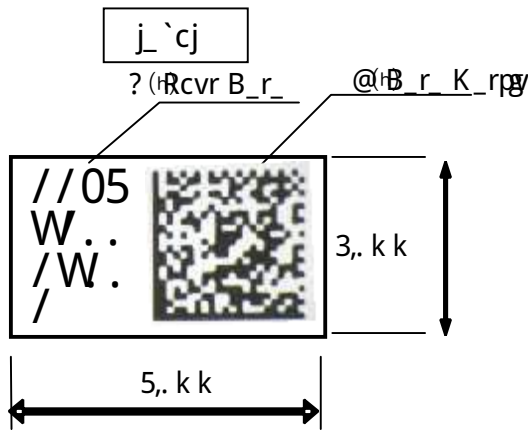
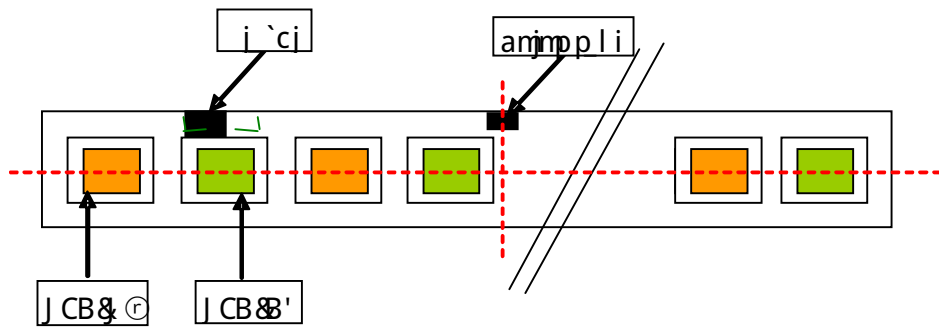


(f) Bgkcl qgnh

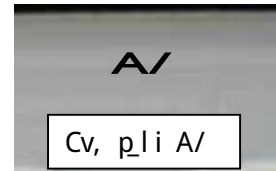
(Unit: mm)



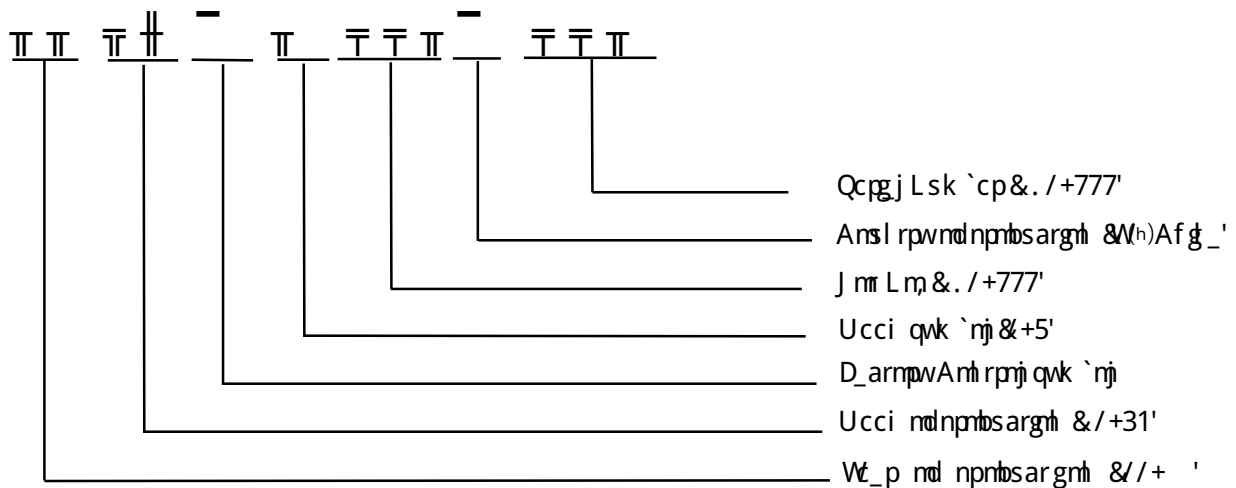
Π T , Npmsar J \_ `cj



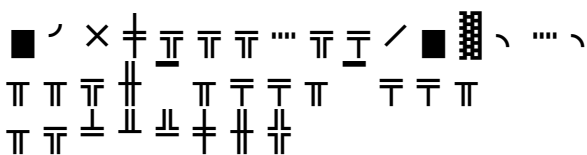
Anjpp li & /j 0A/ A0F/ F0'



[A] Text Data



[B] Data Matrix

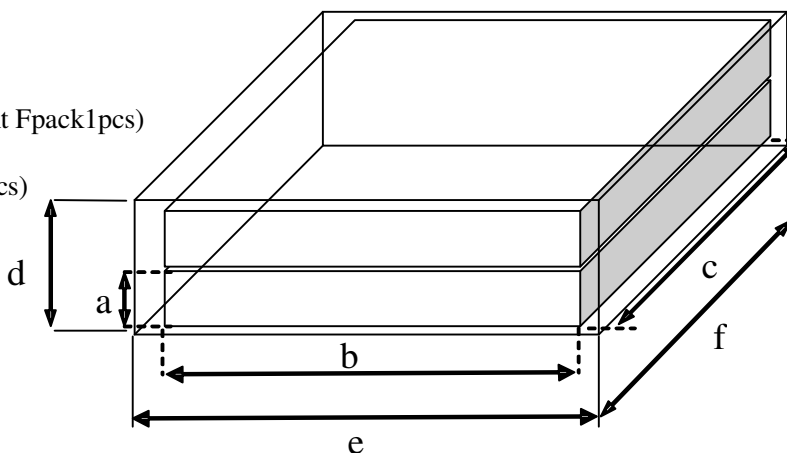


(16grids) Part Number  
(13grids) Lot Number  
( 8grids) Factory Control Part

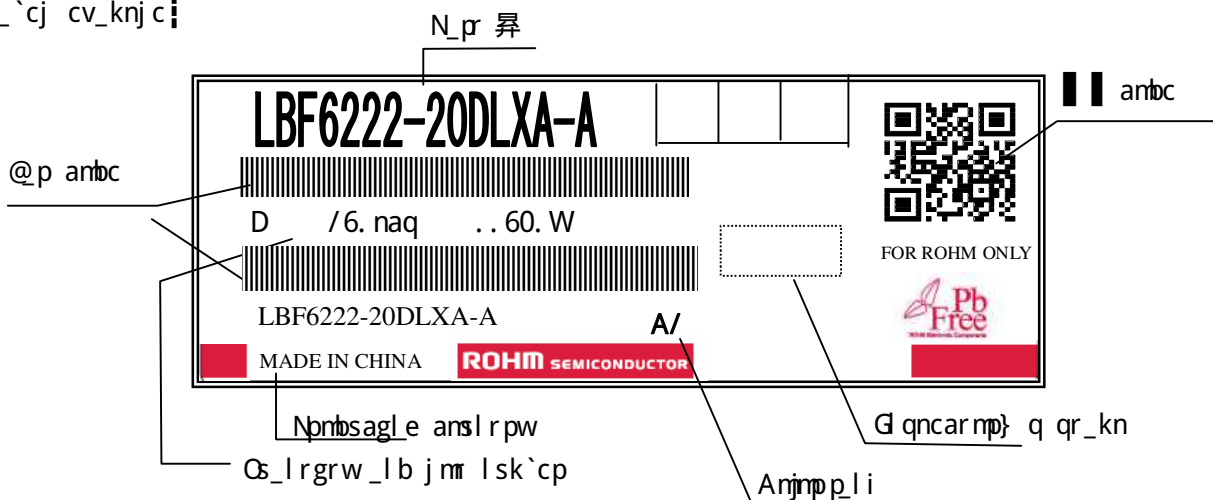
π π (f)N<sub>ai</sub> gl e

|| N<sub>ai</sub>\_ec ||

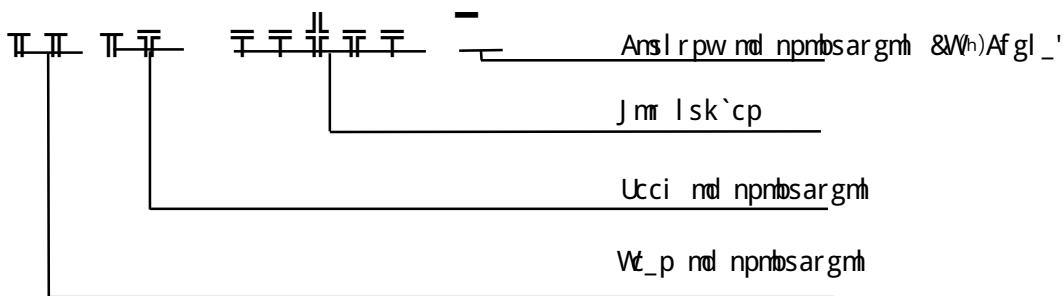
- (1) 18 Bars are on one film tray.
- (2) Inner package size (Fpack10pcs+vacant Fpack1pcs)  
(a)60 x (b)300 x (c)343 (Unit: mm)
- (3) Outer package size(inner package || 2pcs)  
(d)155 x (e)313 x (f)353 (Unit: mm)



|| J\_`cj cv\_knj c ||



|| J m r l sk`cp cv\_knj c ||



|| K\_l sd\_arspgl e d\_arnpw &ans l rpw n d mpgegl' ||

(g)PMFK QCKGAMLBSARMP AFGL? AM \*J RB, © Af gl \_ ①