

Notes :

- * Body : High Temperature plastic UL 94V-0, Color Nature
- * Slider : High Temperature plastic UL 94V-0, Color Black
- * Contact : Copper Alloy with Matte Tin plated
- * Fixed tab : Copper Alloy with Matte Tin plated
- * For Lead-Free IR Reflow process

Ordering Code

CF07 ** * D 0 * 0 -NH
 ① ② ③ ④ ⑤ ⑥ ⑦ ⑧

① Series No.

② No. of Circuits

③ Plating code:

1= Matte Tin plated over Nickel

2= Gold flash plated over Nickel

④ Contact style: D= Downside Contact

⑤ Color: 0= Nature

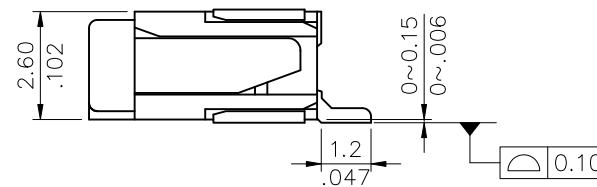
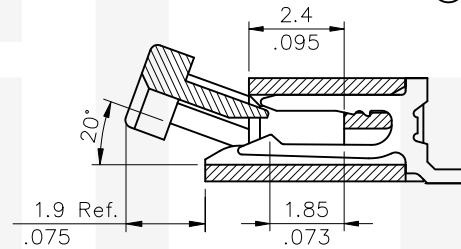
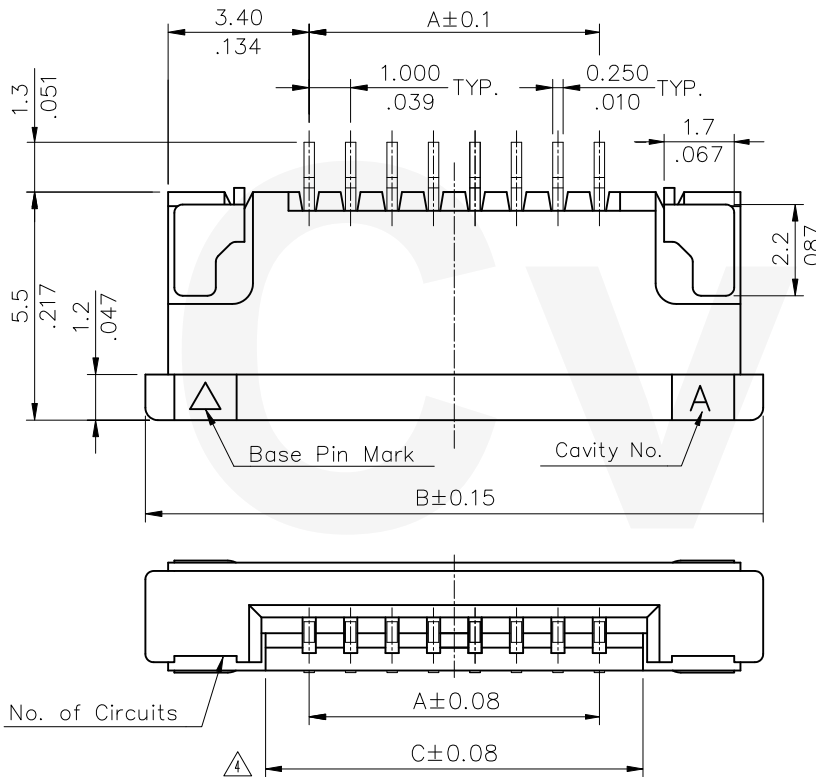
⑥ Packing options: R= Tape & Reel

T= Tube Packing

⑦ Other options: 0= Standard

⑧ Process options:

-NH= For Lead Free IR Processes and Halogen-Free



A = 1.00 * No. of Spaces

B = A + 8.0

C = A + 2.1

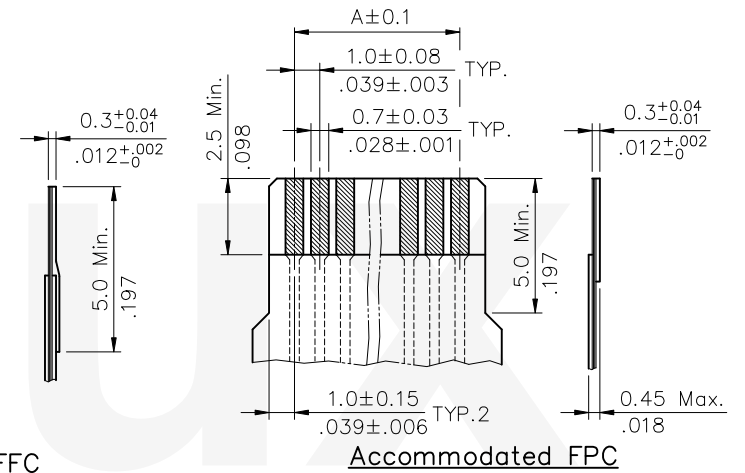
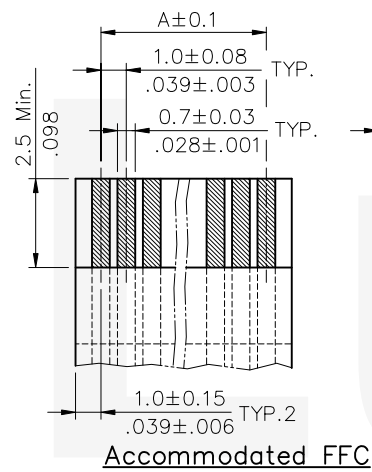
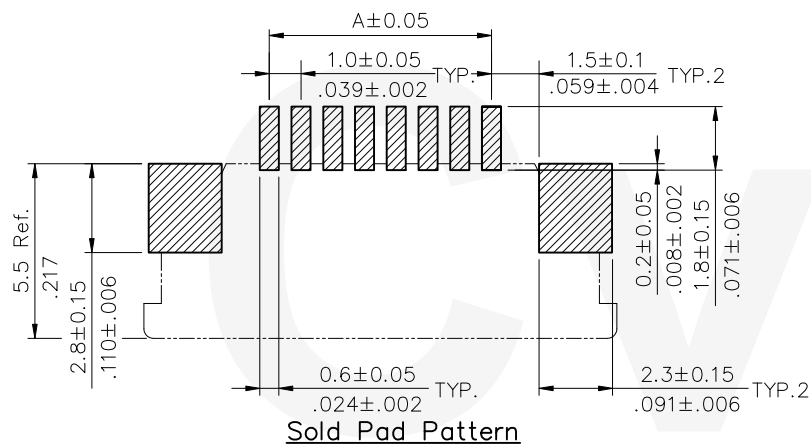
△ * Available in 4 through 32 circuits

Halogen-Free

Lead Free Process

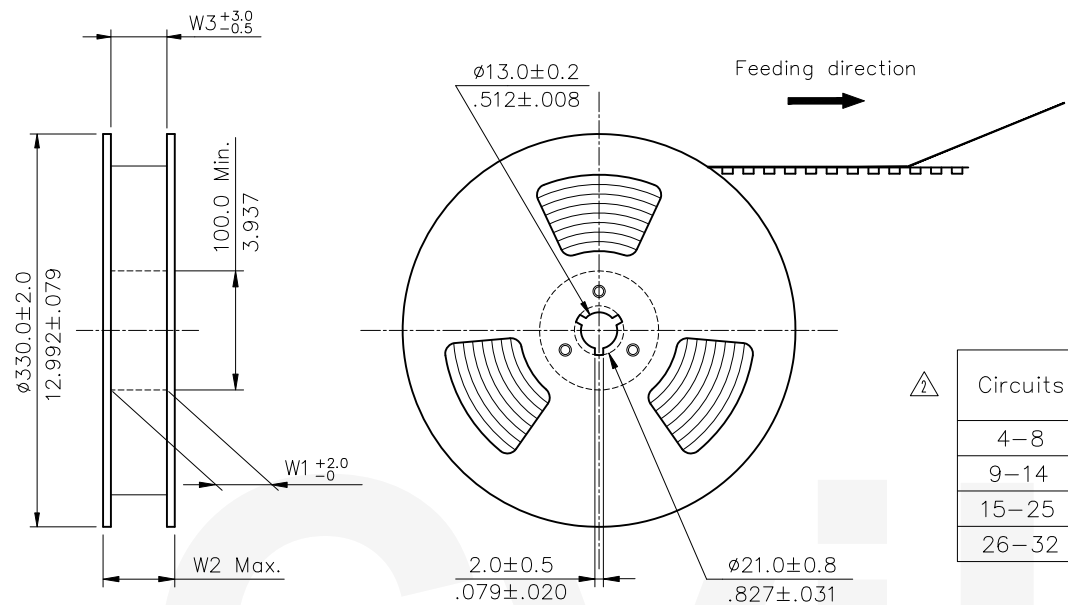
RoHS Compliant

| | | | | | | | | | | |
|-----|------|-----------|---------------------|--|---------------------|-----------|---|---|------------------------------------|-------------------------|
| ④ | Sun | 11/8-18' | ECNT118257 | | | DATE | UNIT: mm / inch | TITLE: 1.00mm(.039") ZIF FPC/FFC DOWNSIDE CONTACT SURFACE MOUNT CONNECTOR | 瀚荃股份有限公司 CviLux Corporation | |
| ③ | Enya | 10/18-13' | ECNT113069 | | DRAWN BY: Sun | 11/8-18' | TOLERANCE UNLESS OTHERWISE SPECIFIED | | | |
| ② | Una | 8/17-11' | ECN11184 | | ENGINEER: Sun | 11/8-18' | .X ± 0.15/.006 X' ± 1' | MATERIAL: | | |
| ① | Sun | 9/10-08' | ECR08047-2/ECN08398 | | CHECKED BY: Eisley | 11/14-18' | .XX ± 0.10/.004 .X' ± | FINISH: | | |
| SYM | NAME | DATE | REVISIONS | | APPROVED BY: Eisley | 11/14-18' | .XXX ± 0.05/.002 .XX' ± | | | |
| | | | | | | | | | DRAWING NO. CF0732SE | PART NO. CF07***D0*0-NH |
| | | | | | | | | | SCALE 5 / 1 | SHEET 1 OF 3 |



Halogen-Free Lead Free Process RoHS Compliant

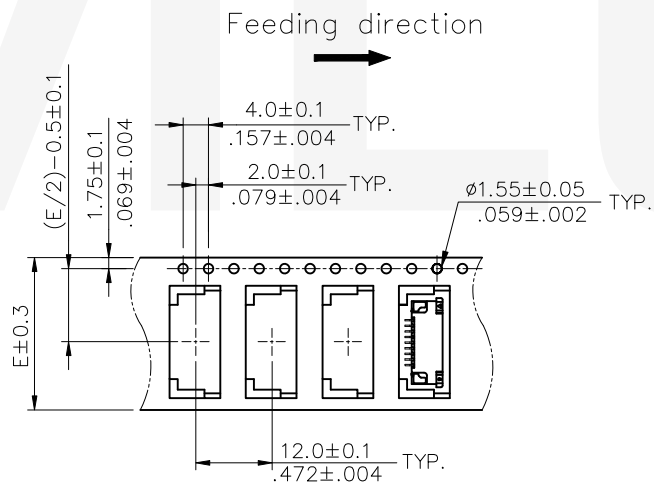
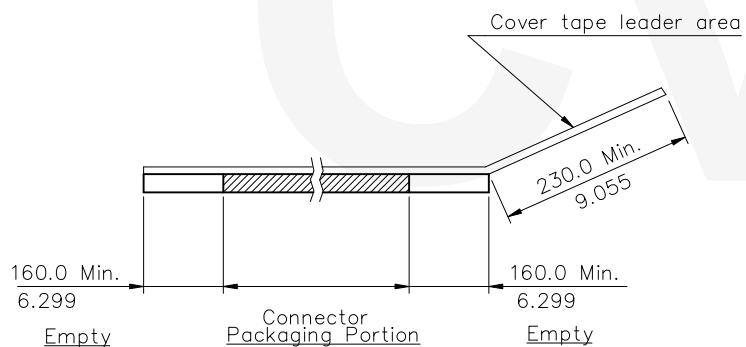
| | | | | | | | | | | |
|-----|------|-----------|---------------------|--|---------------------|-----------|---|---|------------------------------------|-------------------------|
| 4 | Sun | 11/8-18' | ECNT118257 | | | DATE | UNIT: mm / inch | TITLE: 1.00mm(.039") ZIF FPC/FFC DOWNSIDE CONTACT SURFACE MOUNT CONNECTOR | 瀚荃股份有限公司 CviLux Corporation | |
| 3 | Enya | 10/18-13' | ECNT113069 | | DRAWN BY: Sun | 11/8-18' | TOLERANCE UNLESS OTHERWISE SPECIFIED | | | MATERIAL: |
| 2 | Una | 8/17-11' | ECN11184 | | ENGINEER: Sun | 11/8-18' | .X ± X' ± 1' | FINISH: | | |
| 1 | Sun | 9/10-08' | ECR08047-2/ECN08398 | | CHECKED BY: Eisley | 11/14-18' | .XX ± .X' ± | | | |
| SYM | NAME | DATE | REVISIONS | | APPROVED BY: Eisley | 11/14-18' | .XXX ± .XX' ± | DRAWING NO. CF0732SE | | PART NO. CF07***D0*0-NH |



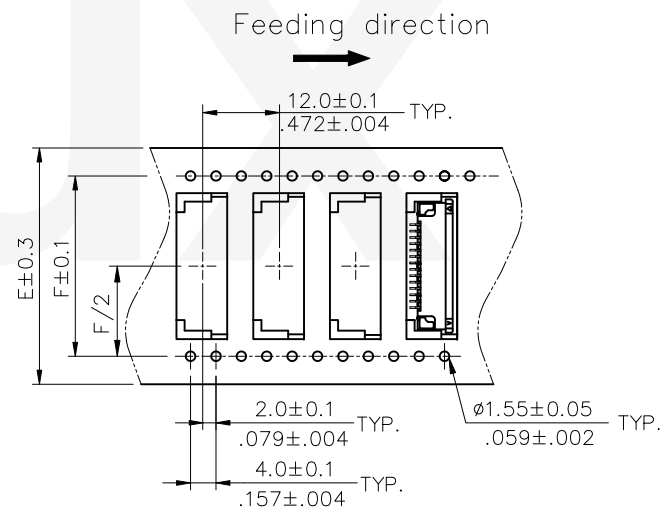
NOTE :

1. 10 sprocket hole pitch cumulative tolerance ± 0.20
2. Carrier camber is within 1 mm in 100 mm .
- △3. Material : Transparent Conductive Polystyrene Alloy (UP-5000)100% recyclable.
4. All dimensions meet EIA-481-3 requirements.
5. Thickness : 0.33 ± 0.03 mm.
- 6 Packing length per 22" reel : 75.0 Meters.
7. Component load per 13" reel : 2000 pcs.

| Circuits | Dimension | | | | |
|----------|-------------|--------------|-------------|-------------|-------------|
| | E | F | W1 | W2 | W3 |
| 4-8 | 24.0(.945) | - | 24.5(.965) | 30.5(1.201) | 24.5(.965) |
| 9-14 | 32.0(1.260) | 28.40(1.118) | 32.5(1.280) | 38.5(1.516) | 32.5(1.280) |
| 15-25 | 44.0(1.732) | 40.40(1.596) | 44.5(1.752) | 50.5(1.988) | 44.5(1.752) |
| 26-32 | 56.0(2.205) | 52.40(2.062) | 56.5(2.224) | 62.5(2.460) | 56.5(2.224) |



△ WIDTH : 24 mm Carrier



WIDTH : 32,44,56 mm Carrier

RoHS Compliant

| REV | SYM | NAME | DATE | REVISIONS | APPROVED BY: | DATE | UNIT: mm / inch | TITLE: 1.00mm(.039") ZIF FPC/FFC DOWNSIDE CONTACT SURFACE MOUNT CONNECTOR | MATERIAL: | FINISH: | DRAWING NO. | PART NO. | SHEET | OF | 3 |
|-----|------|-----------|---------------------|-----------|--------------|--------|-----------------|---|-----------|---------|-------------|----------|-------|----|---|
| 4 | Sun | 11/8-18' | ECNT118257 | | | | | | | | | | | | |
| 3 | Enya | 10/18-13' | ECNT113069 | | DRAWN BY: | Sun | 11/8-18' | | | | | | | | |
| 2 | Una | 8/17-11' | ECN11184 | | ENGINEER: | Sun | 11/8-18' | | | | | | | | |
| 1 | Sun | 9/10-08' | ECR08047-2/ECN08398 | | CHECKED BY: | Eisley | 11/14-18' | | | | | | | | |
| | | | | | APPROVED BY: | Eisley | 11/14-18' | | | | | | | | |

CVILUX CORP
2018.11.15
ISSUED

 瀚荃股份有限公司
CviLux Corporation

DRAWING NO. **CF0732SE** PART NO. **CF07***D0*0-NH**
SCALE SHEET 3 OF 3