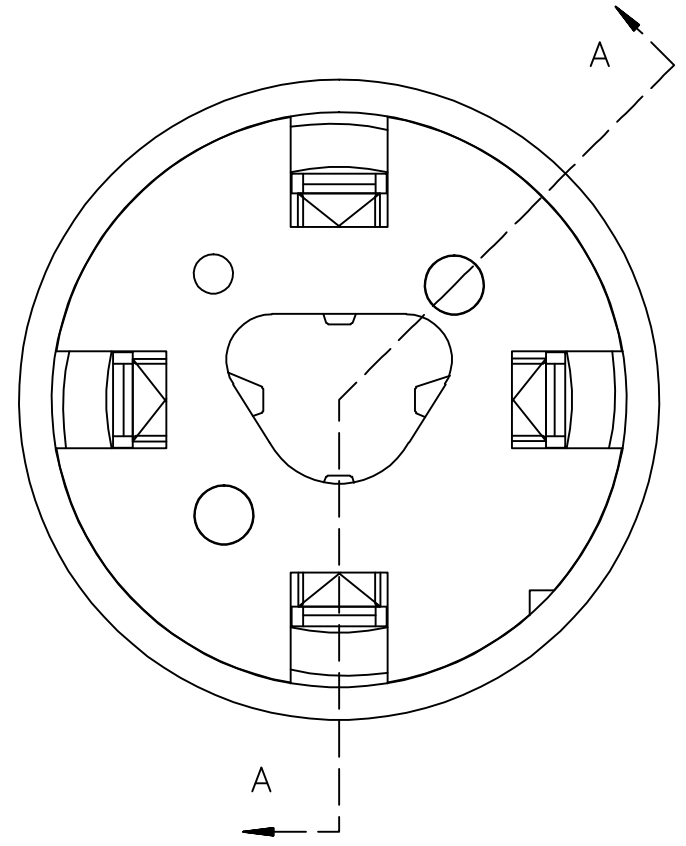
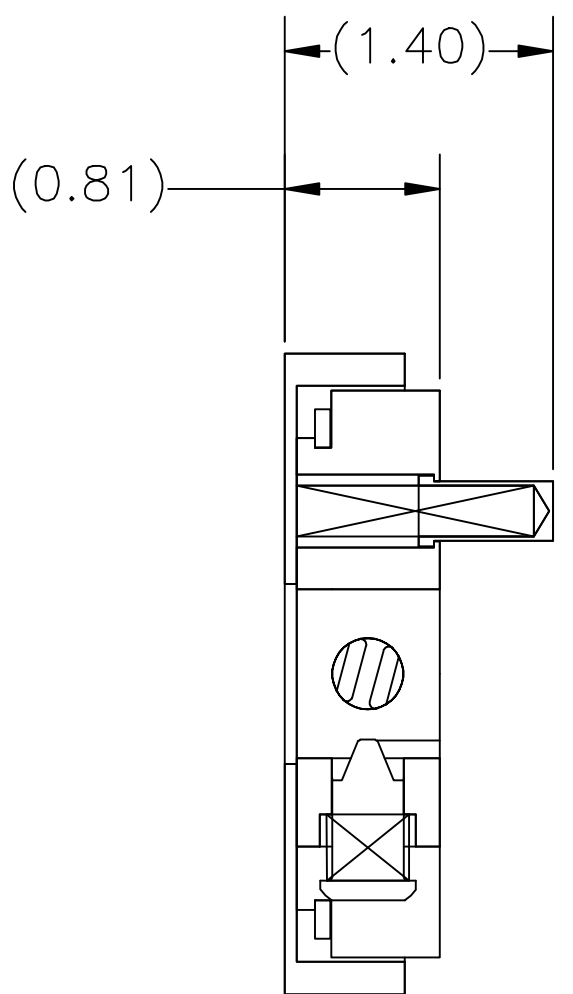
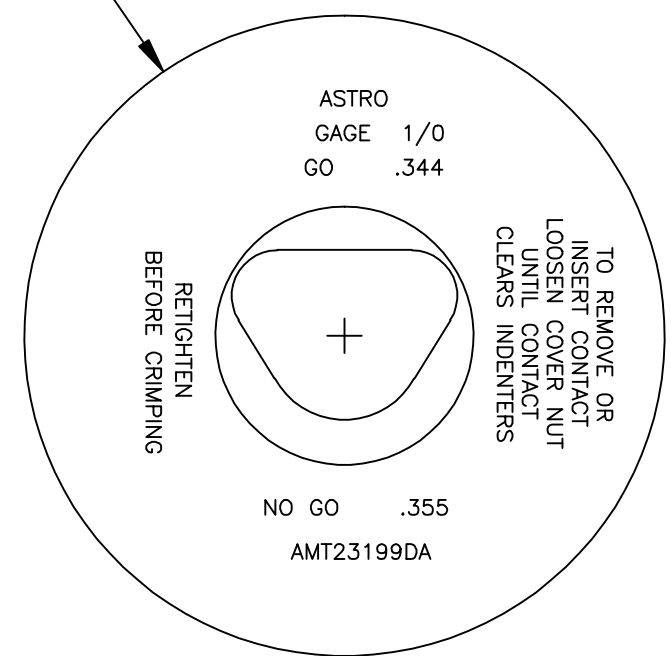


($\phi 3.34$)



**UNCONTROLLED DOCUMENT
WILL NOT BE UPDATED**

2. GO SIZE: $\phi 3.44$, NO GO $\phi 3.55$.

NOTES: 1. THIS IS AN AUTOCAD DRAWING DO NOT CHANGE MANUALLY.

					<p>THESE DRAWINGS, SPECIFICATIONS OR OTHER DATA ARE AND REMAIN THE PROPERTY OF ASTRO TOOL CORP. AND MUST BE RETURNED UPON REQUEST. THEY CONTAIN INFORMATION OWNED AND/OR DEVELOPED BY ASTRO AT ITS OWN PRIVATE EXPENSE AND MAY NOT BE USED, DUPLICATED OR DISCLOSED TO OTHERS, IN WHOLE OR IN PART FOR DESIGN, MANUFACTURE OR PROCUREMENT WITHOUT THE WRITTEN PERMISSION OF ASTRO TOOL CORP. EACH AND EVERY TIME.</p>	<p>SCALE: N.T.S. DWN BY: DY0 DATE: 12-09-13 APPROVED:</p>	<p>UNLESS OTHERWISE SPECIFIED: DECIMALS: .XXX $\pm .005$.XX $\pm .010$.X $\pm .030$ ANGLES: $\pm 1^\circ$</p>	<p>ASTRO TOOL CORP. 21615 S.W. TUALATIN VALLEY HWY., BEAVERTON OR 97006 CAGE 58164</p>	
REV.	DESCRIPTION	BY	DATE	APR.					
A	NEW RELEASE	DY0	12-09-13	MMK	<p>DESCRIPTION: ENVELOPE DRAWING: AMT23199DA DIE ASSEMBLY, SIZE 1/0</p>				
					PART NO.	B AMT23199DA-ENV			