

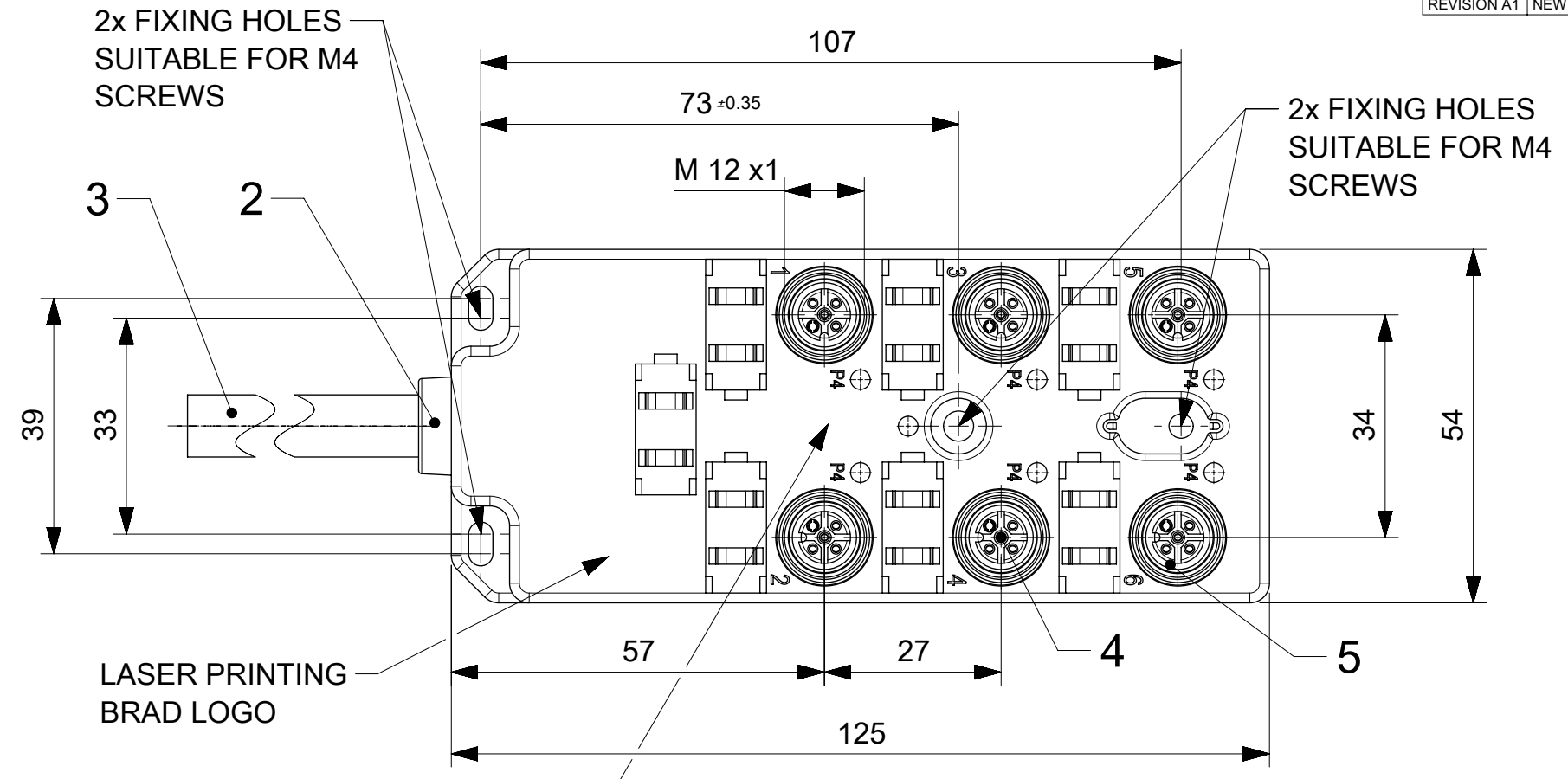
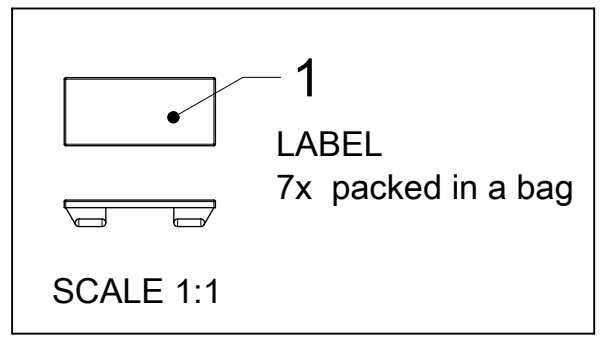
TABLE 1

MOLEX P/N	ENG. NO.	CABLE LENGTH (mm)	LED
1202480010	BTB6000-FBW-05	5000	NO
1202480011	BTB6000-FBW-10	10000	NO
1202480012	BTB6000-FBW-15	15000	NO
1202480013	BTB600P-FBW-05	5000	YES
1202480014	BTB600P-FBW-10	10000	YES
1202480015	BTB600P-FBW-15	15000	YES
1202480144	BTB600P-FBW-20	20000	YES
1202480016	BTB600N-FBW-05	5000	YES
1202480017	BTB600N-FBW-10	10000	YES
1202480018	BTB600N-FBW-15	15000	YES

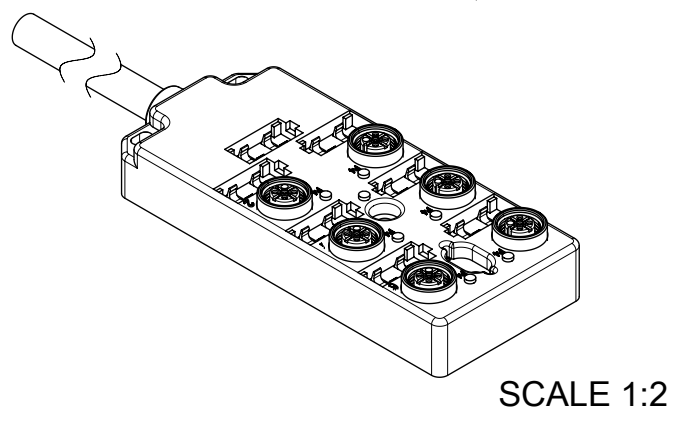
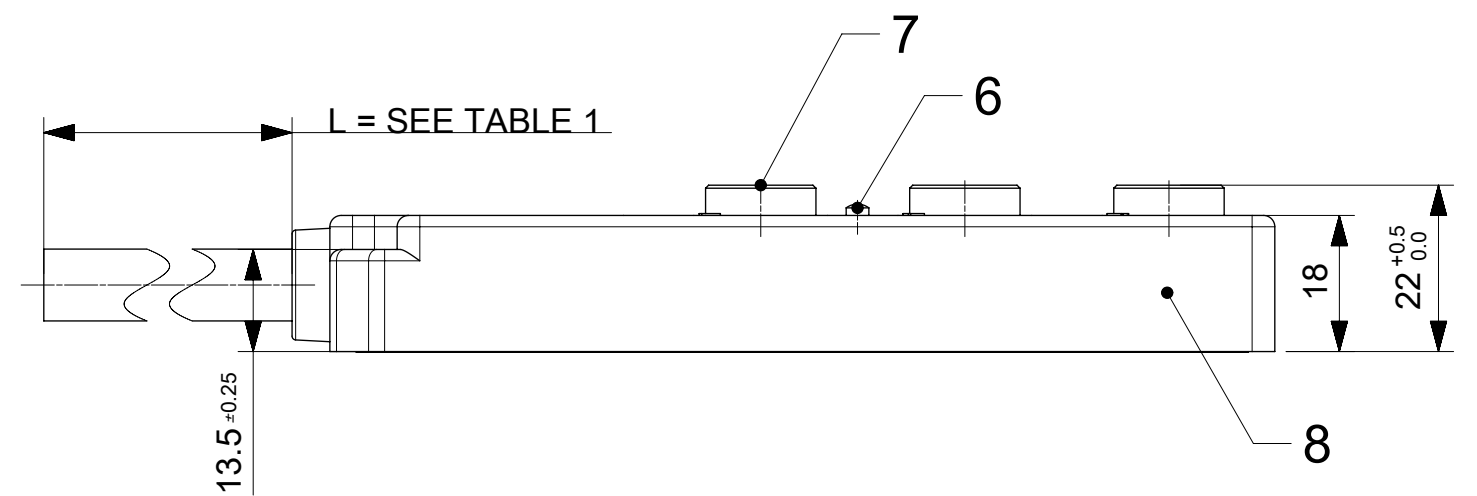
A1

TABLE 2 BILL OF MATERIAL

ITEM	DESCRIPTION	MATERIAL	FINISH
1	LABEL	ABS	WHITE
2	CABLE PLATE	PBT	BLACK
3	CABLE	TPU BASED	BLACK
4	CONTACT	BRONZE	GOLD OVER NICKEL
5	O-RING	FPM	RED
6	LED	NO LED = PA	BLACK
		WITH LED = PA	TRANSPARENT
7	SHELL	BRASS	NICKEL PLATED
8	HOUSING	PBT	BLACK



LASER PRINTING:
PN: 120248XXXX
ENG.: BTB600X-FBW-XX
PO: XXXXXXXXXX



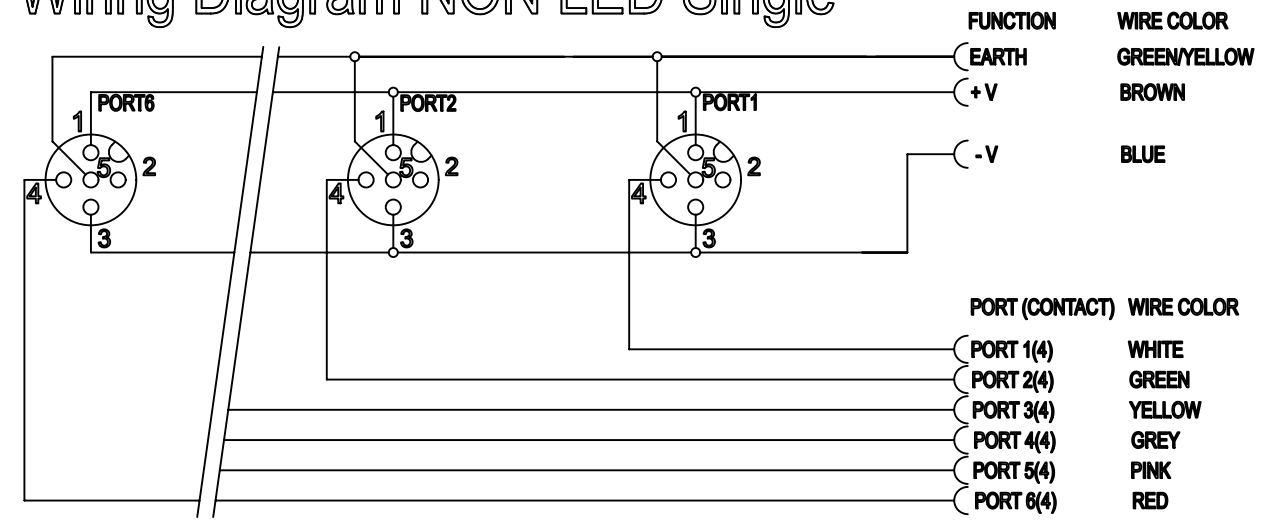
GENERAL CHARACTERISTICS:

ELECTRICAL AND MECHANICAL DATA ACC. TO IEC 61076-2-101

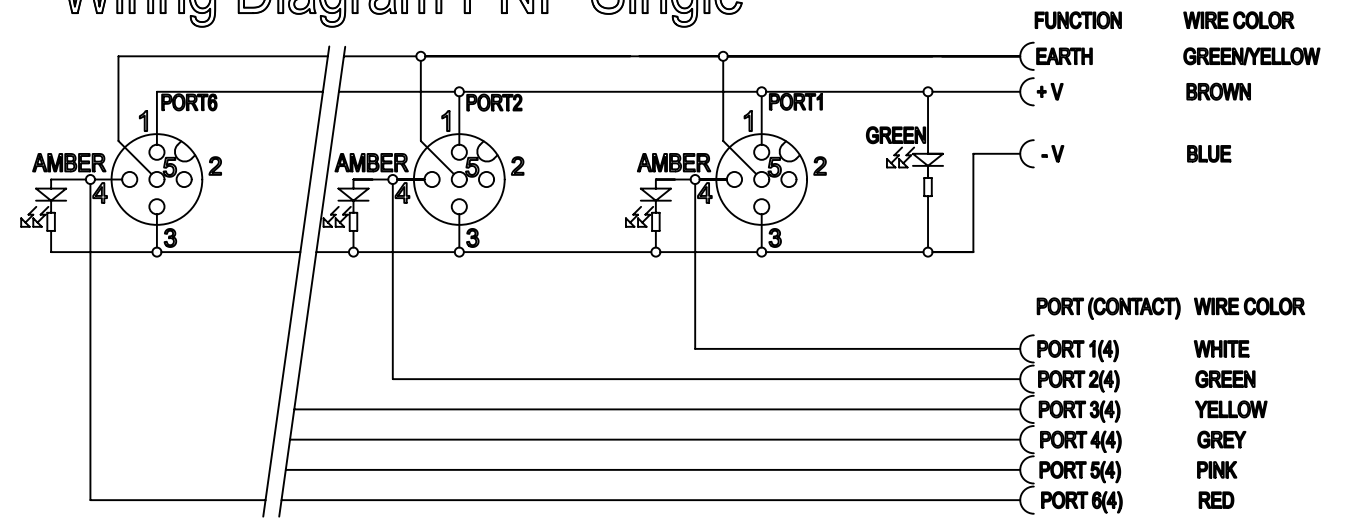
NOMINAL VOLTAGE: 10-30 V DC
 AMPERE RATING: 4 A PER PORT / 12 A MAX
 AMPERE RATING WITH UL REGISTRATION: 3 A PER PORT / 9 A MAX
 IP DEGREE OF PROTECTION: IP 67
 TEMPERATURE RANGE: -25°C to + 85°C

SYMBOLS		THIS DRAWING CONTAINS INFORMATION THAT IS PROPRIETARY TO MOLEX ELECTRONIC TECHNOLOGIES, LLC AND SHOULD NOT BE USED WITHOUT WRITTEN PERMISSION	
DIMENSION UNITS	SCALE	CURRENT REV DESC: LASER PRINT UPDATE	
▽ = 0	mm	EC NO: 606042 DRWN: SSM 2018/08/28 CHK'D: RSILLER 2018/10/18 APPR: RSILLER 2018/10/18 INITIAL REVISION: DRWN: AAHLERS 2015/04/01 APPR: RSILLER 2018/02/09	
▽ = 0	GENERAL TOLERANCES (UNLESS SPECIFIED)		
▽ = 0	ANGULAR TOL ± °		
▽ = 0	4 PLACES ±		
▽ = 0	3 PLACES ±	PRODUCT CUSTOMER DRAWING DOCUMENT NUMBER: 1202480010 DOC TYPE: PSD DOC PART: 000 REVISION: B	
▽ = 0	2 PLACES ±		
▽ = 0	1 PLACE ±	MATERIAL NUMBER: SEE TABLE 1 CUSTOMER: GENERAL MARKET SHEET NUMBER: 1 OF 2	
▽ = 0	0 PLACES ± 0.25		
■ = 0	DRAFT WHERE APPLICABLE MUST REMAIN WITHIN DIMENSIONS	THIRD ANGLE PROJECTION	DRAWING: A3-SIZE
▽ = 0		SERIES: 120248	MATERIAL NUMBER: SEE TABLE 1

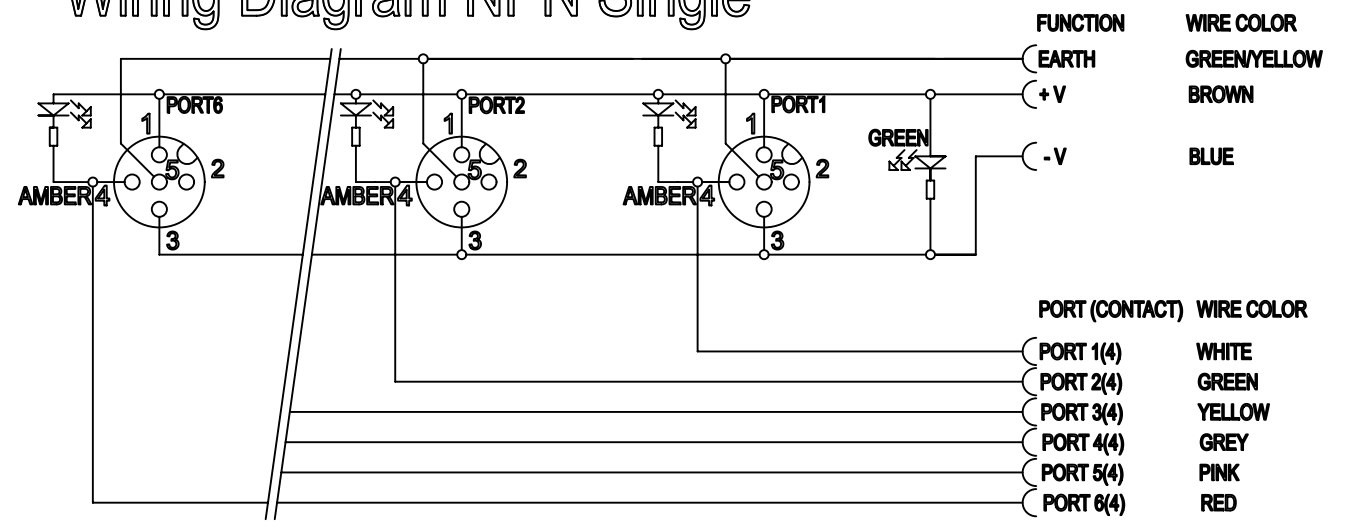
Wiring Diagram NON LED Single



Wiring Diagram PNP Single



Wiring Diagram NPN Single



SYMBOLS DIMENSION UNITS: mm SCALE: 1:1 GENERAL TOLERANCES (UNLESS SPECIFIED): ANGULAR TOL: ± 0° 4 PLACES: ± 0.1 3 PLACES: ± 0.05 2 PLACES: ± 0.025 1 PLACE: ± 0.0125 0 PLACES: ± 0.00625 DRAFT WHERE APPLICABLE MUST REMAIN WITHIN DIMENSIONS	THIS DRAWING CONTAINS INFORMATION THAT IS PROPRIETARY TO MOLEX ELECTRONIC TECHNOLOGIES, LLC AND SHOULD NOT BE USED WITHOUT WRITTEN PERMISSION		CURRENT REV DESC: LASER PRINT UPDATE		
	EC NO: 606042 DRWN: SSM 2018/08/28 CHK'D: RSILLER 2018/10/18 APPR: RSILLER 2018/10/18		PRODUCT CUSTOMER DRAWING		
	INITIAL REVISION: DRWN: AAHLERS 2015/04/01 APPR: RSILLER 2018/02/09		DOCUMENT NUMBER: 1202480010	DOC TYPE: PSD DOC PART: 000 REVISION: B	
	THIRD ANGLE PROJECTION	DRAWING: A3-SIZE	SERIES: 120248	MATERIAL NUMBER: SEE TABLE 1 CUSTOMER: GENERAL MARKET SHEET NUMBER: 2 OF 2	