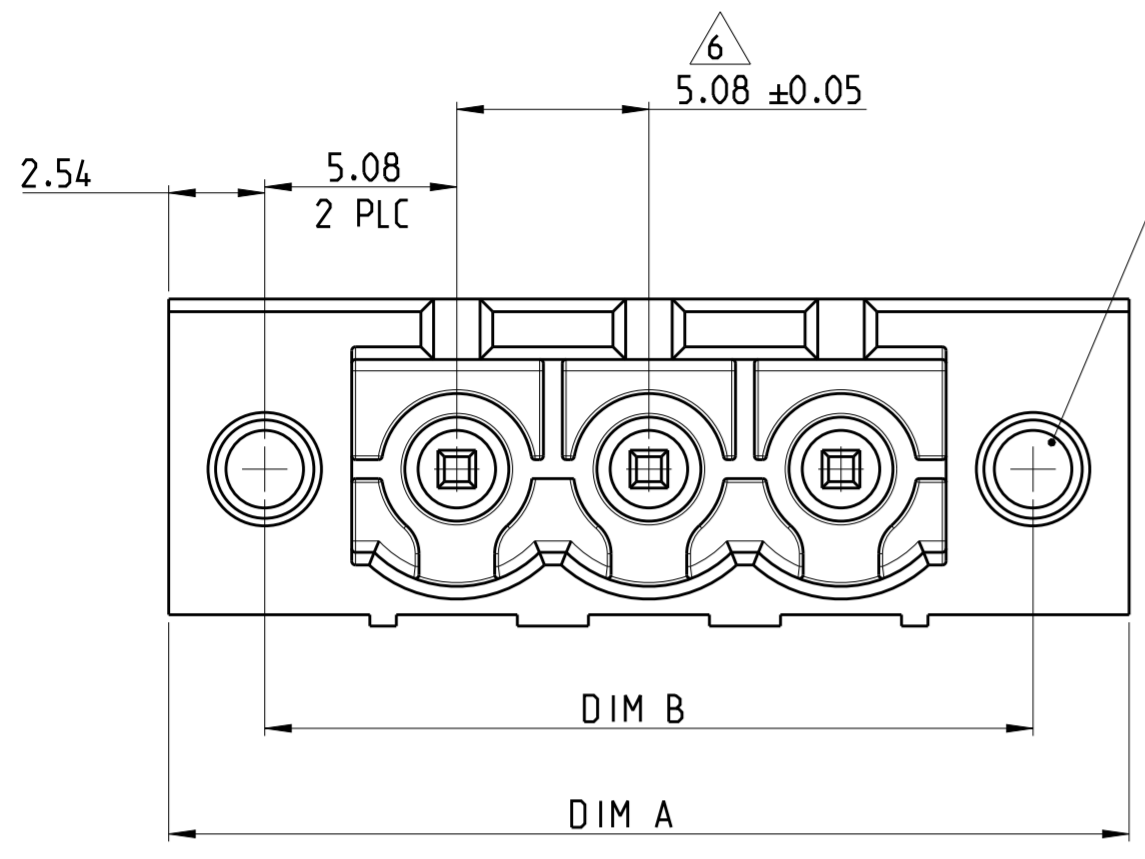


THIS DRAWING IS UNPUBLISHED. RELEASED FOR PUBLICATION 20
 © COPYRIGHT 20 BY - ALL RIGHTS RESERVED.

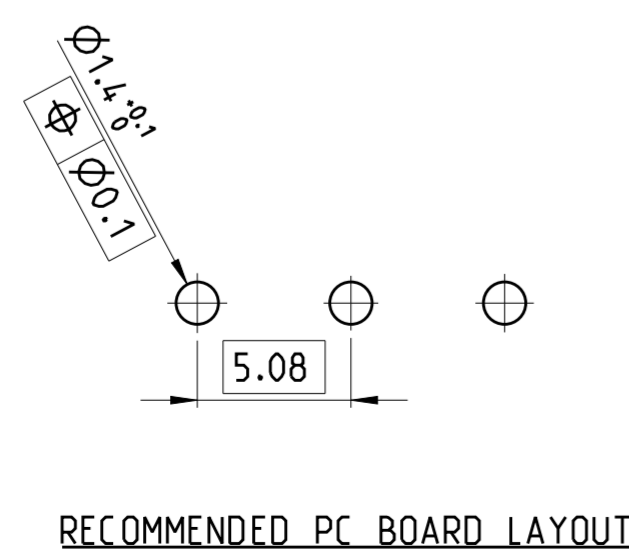
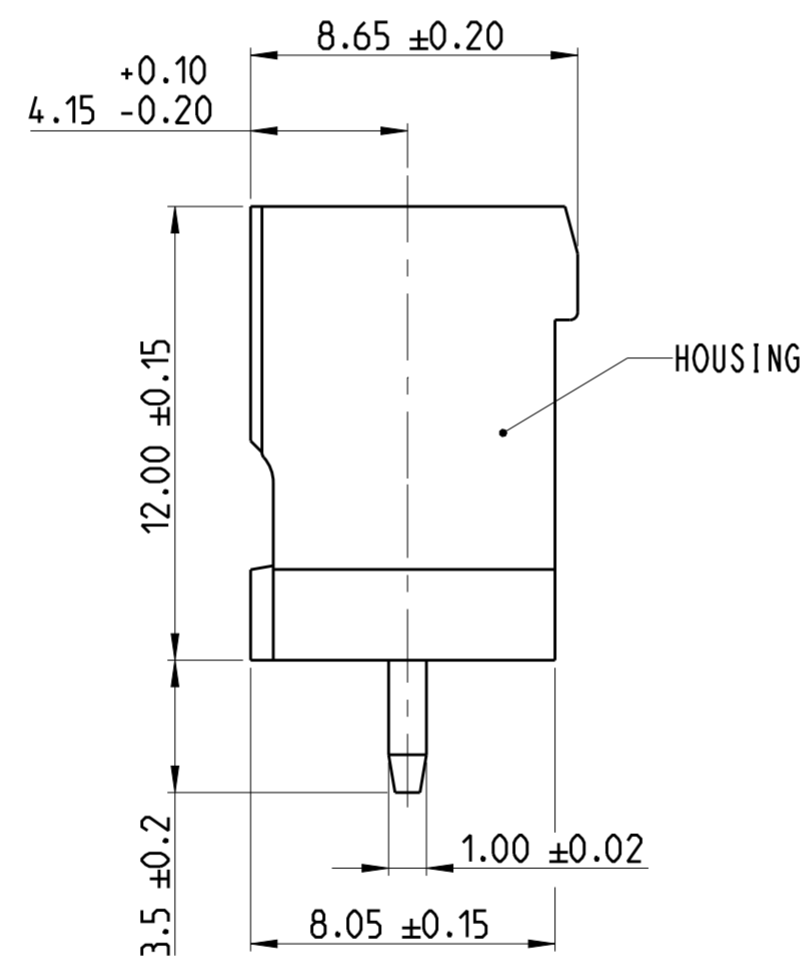
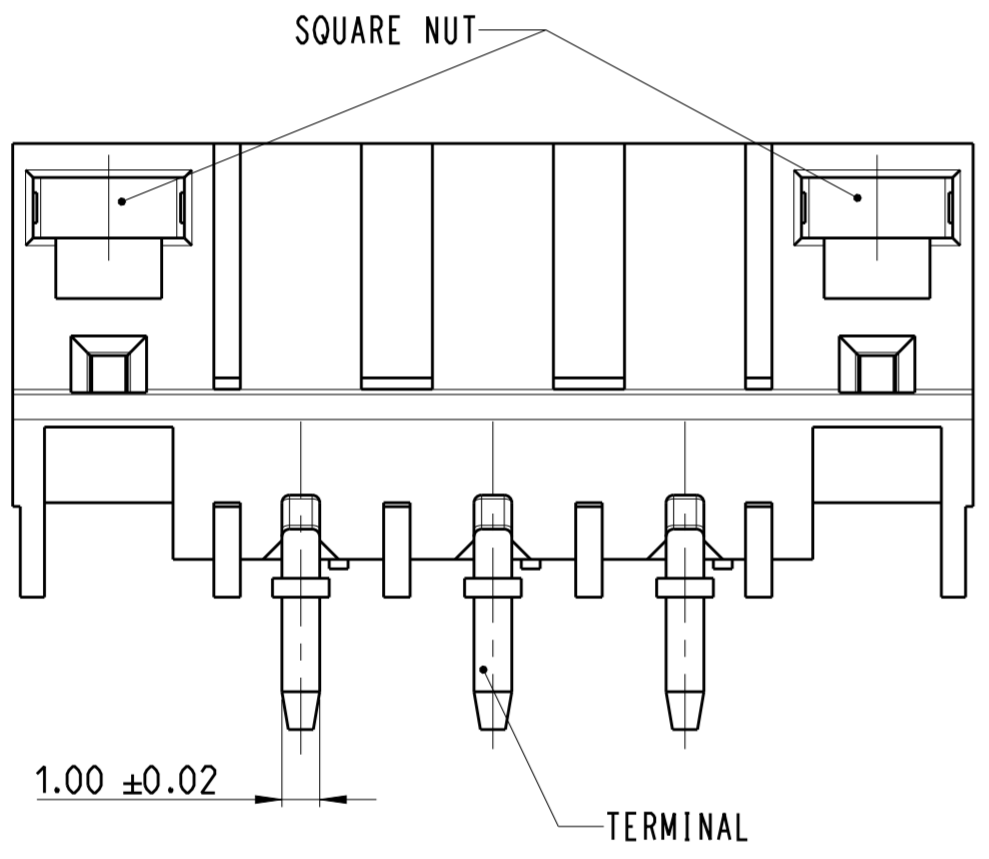
REVISIONS					
P	LTR	DESCRIPTION	DATE	DWN	APVD
4		SQUARE NUT PART INFORMATION ADDED	17MAY2018	RK	PS

NOTES:

- 1 MATERIALS:
 HOUSING: HIGH TEMPERATURE PA 6-6. UL 94V-0. COLOR: BLACK
 TERMINAL: PHOSPHOR BRONZE, TIN PLATED
 SQUARE NUT: BRASS, NICKEL PLATED.
- 2. MECHANICAL
 MAX. INSERTION FORCE PER POLE : 3.0 N
 MIN. WITHDRAWAL FORCE PER POLE : 1.5 N
 MIN. PC BOARD HOLES DIAMETER : 1.4 mm
 MAX. PC BOARD THICKNESS : 2.4 mm
- 3. ELECTRICAL
 WIRE RANGE : 12-30 AWG
 MAX. VOLTAGE : 300 V
 MAX CURRENT : 15 A
 CONTACT RESISTANCE : <15 m Ohm
 INSULATION RESISTANCE : >1000 M Ohm (500V DC)
- 4. OPERATING TEMPERATURE RANGE: -40 °C TO +110 °C
- 5. RECOGNIZED UNDER THE COMPONENT PROGRAM OF UNDERWRITERS LABORATORIES INC. FILE NO. E60677.
- 6 NOT CUMULATIVE TOLERANCE.
- 7. TE LOGO TO APPEAR ON HOUSING. LOCATION OPTIONAL WHERE SPACE PERMITS.



THIS PRINT IS
PRELIMINARY
 UNQUALIFIED PRODUCT
 CONTACT PRODUCT ENGINEERING
 BEFORE USING THIS PRINT



OBSOLETE	TAPE AND REEL	20.32	25.40	3	2-1986479-3
	STANDARD	60.96	71.12	12	1-1986479-2
		55.88	66.04	11	1-1986479-1
		50.80	60.96	10	1-1986479-0
		45.72	55.88	9	1986479-9
		40.64	50.80	8	1986479-8
		35.56	45.72	7	1986479-7
		30.48	40.64	6	1986479-6
		25.40	35.56	5	1986479-5
		20.32	30.48	4	1986479-4
		15.24	25.40	3	1986479-3
	10.16	20.32	2	1986479-2	
PACKAGING		DIM B	DIM A	NO OF POS	PART NUMBER

THIS DRAWING IS A CONTROLLED DOCUMENT. DWN S. SCHLEGEL 10DEC2008
 CHK C. RICHARD 10DEC2008
 APVD C. RICHARD 10DEC2008

STE TE Connectivity

NAME: TERMINAL BLOCK HEADER ASSY, VERTICAL W/ LOCKING SCREW, FLG 5.08mm HIGH TEMP

SIZE: A2 CAGE CODE: 00779 DRAWING NO: C-1986479 RESTRICTED TO: -

CUSTOMER DRAWING SCALE: 5:1 SHEET: 1 OF 1 REV: 4