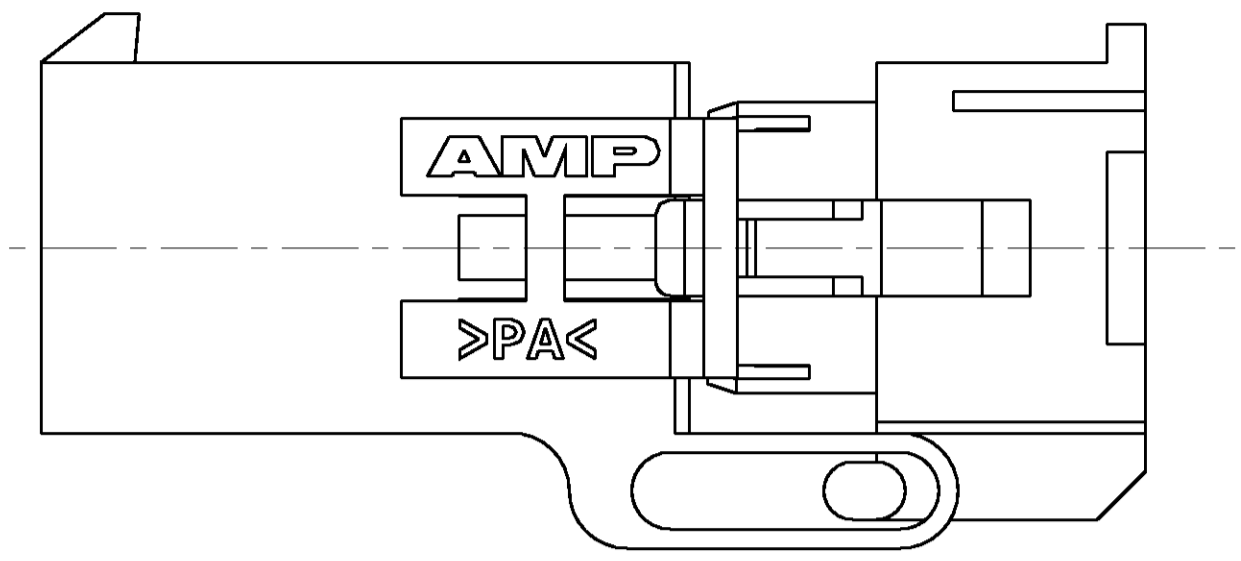
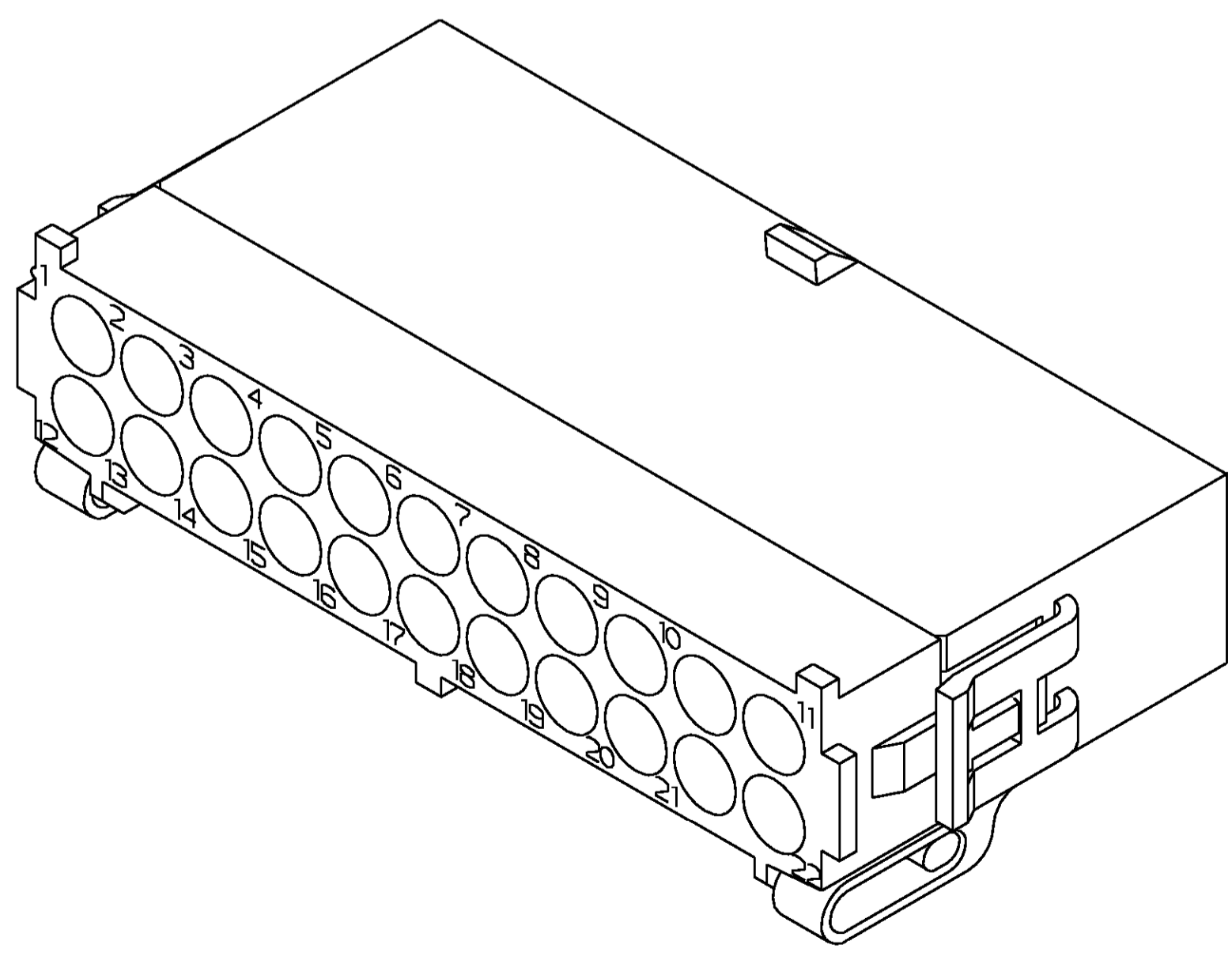
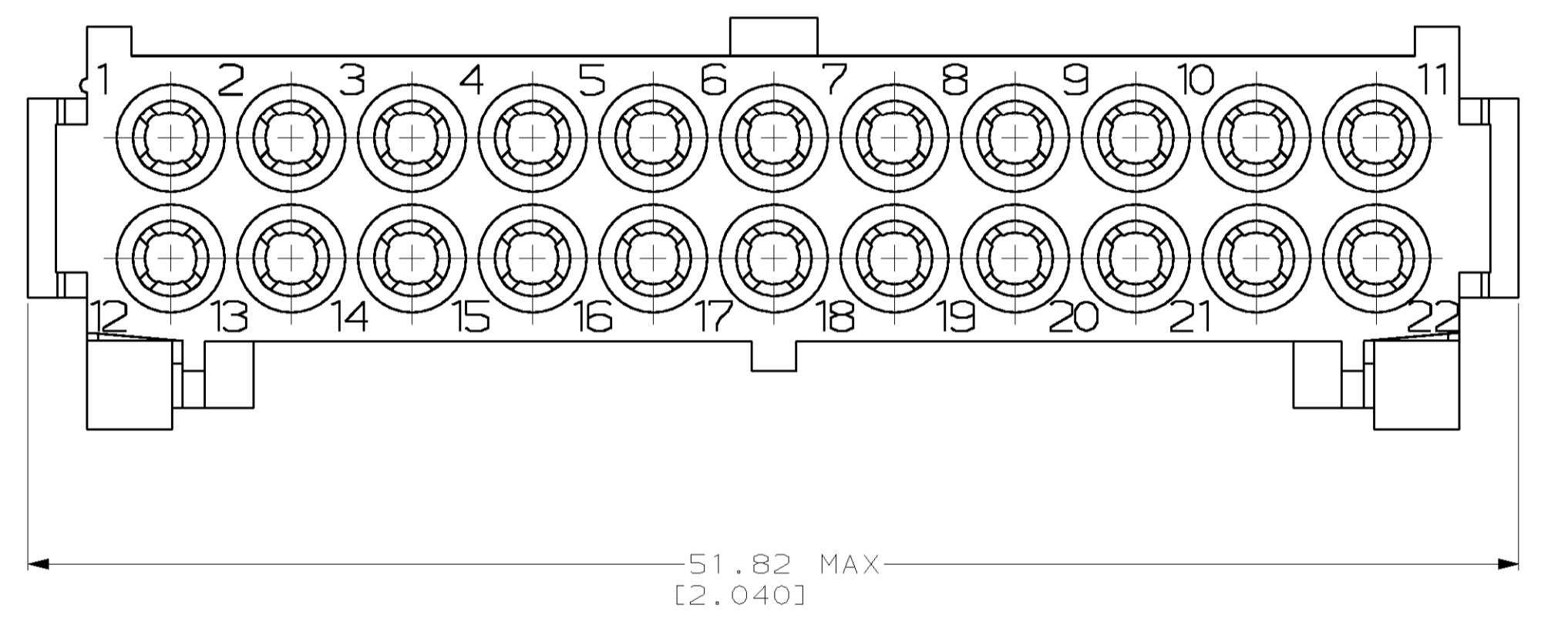
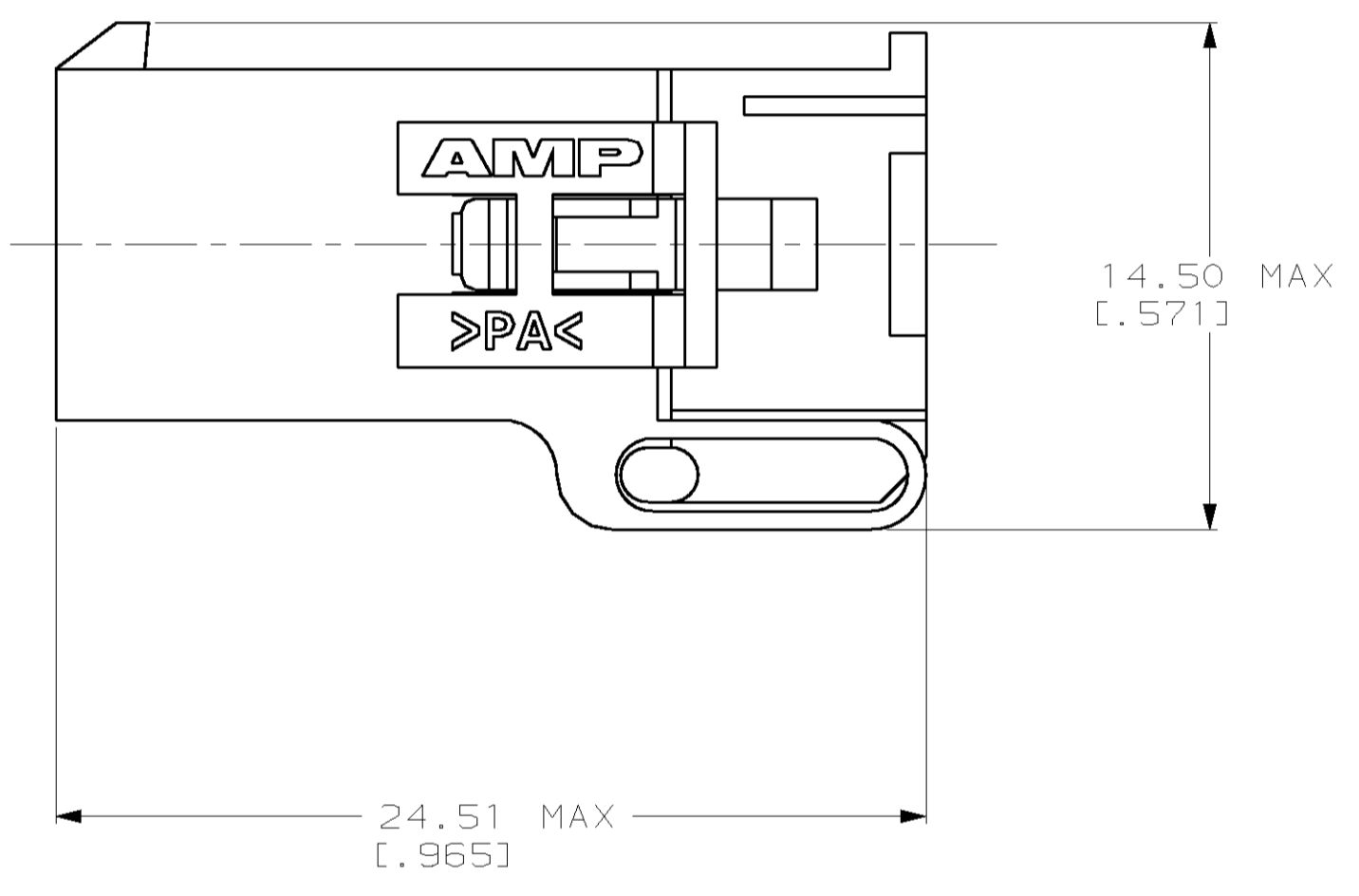
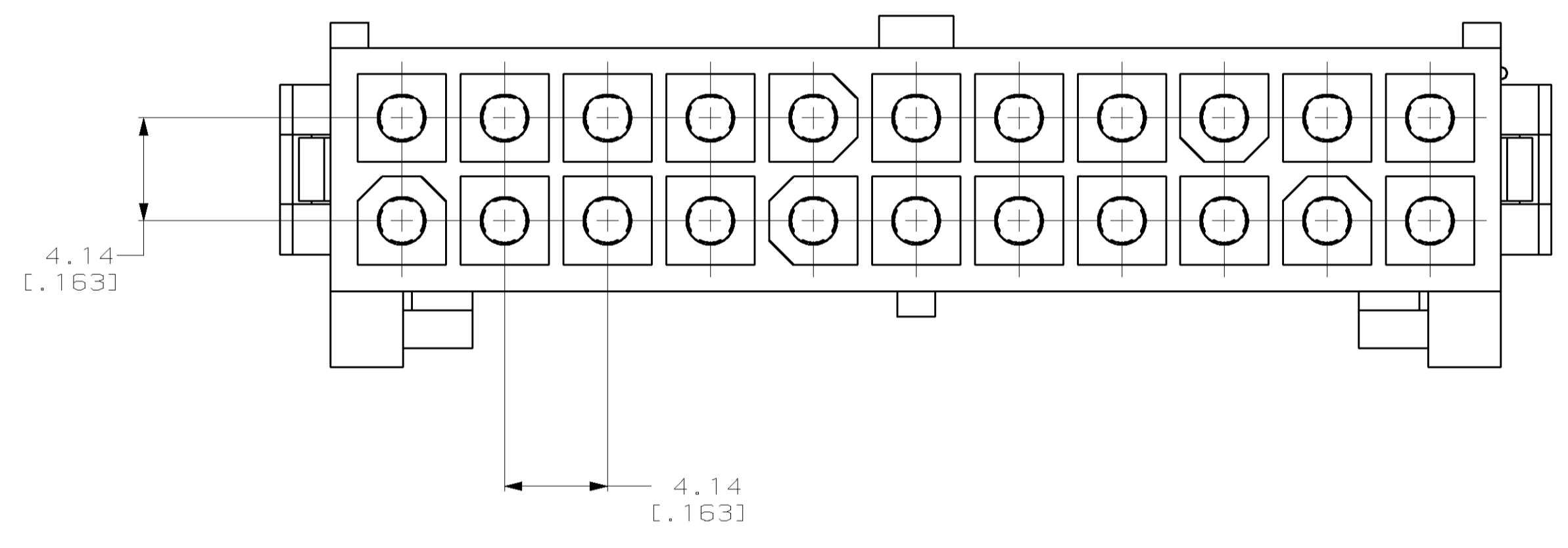


LOC		DIST		REVISIONS						
F	CHR	DATE	BY	APPROV	REV	PER	EC			
CM	53				A	REV PER EC	061B-0094-99	23-SEP-99	KW	KC



PRE-STAGED CONDITION

1. DIMENSIONS IN BRACKETS ARE IN INCHES.



3-DIMENSIONAL MODEL
NTS

794213-1
PART NUMBER

METRIC

THIS DRAWING IS A CONTROLLED DOCUMENT.		DWN K. WHITAKER	5-20-97		AMP Incorporated Harrisburg, PA 17105-3608	
DIMENSIONS:		CHK R. SWING	5-20-97		NAME	CAP, 22 CIRCUIT, MINI UNIVERSAL MATE-N-LOK™ 2
TOLERANCES UNLESS OTHERWISE SPECIFIED:		APPROV S. ORSTAD	5-20-97		PRODUCT SPEC	
0 PLC ± 1 PLC ± 2 PLC ± 3 PLC ±0.13 (.005) 4 PLC ± ANGLES ±		APPLICATION SPEC			SIZE	A1
MATERIAL NYLON, UL 94V-0, NATURAL		FINISH		WEIGHT		
CUSTOMER DRAWING		SCALE 5:1		SHEET 1 OF 1	REV A	