

# FT9HV

(Former FOX801BHCLF)

11.4mm x 9.6mm

HCMOS, VCTCXO



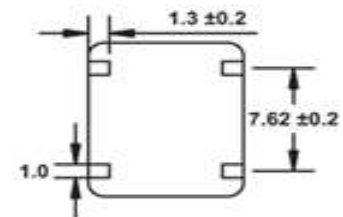
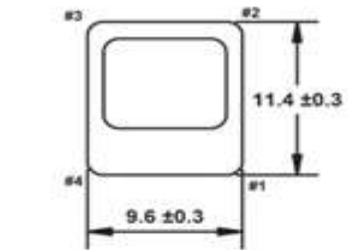
## Features

- 3.3V Operation
- 2.0mm Height Max
- HCMOS Output
- Low Cost
- Tape and Reel (1,000 pcs. STD)

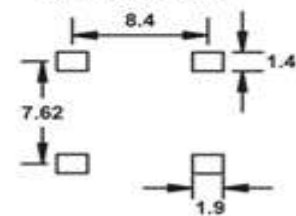
ELECTRICAL CHARACTERISTICS	
PARAMETERS	MAX (Unless otherwise noted)
Frequency Range ( $F_0$ )	9.600 ~ 56.000 MHz
Temperature Range	
Operating ( $T_{OPR}$ )	-30°C ~ +75°C
Storage ( $T_{STG}$ )	-40°C ~ +85°C
Initial Frequency Tolerance (@25°C) ( $V_C = 1.65V^1$ )	±2.0 PPM
Frequency Stability ref @ 25°C Over Operating Temp Range	±2.5 PPM
Pull ability ( $V_C = 1.65 \pm 1.35V^1$ )	±20 PPM Min
Supply Voltage ( $V_{DD}$ )	3.3V ± 5%
Control Voltage ( $V_C$ ) <sup>1</sup>	1.65V ± 1.35V
Input Current ( $I_{DD}$ )	
9.600 ~ 21.999MHz	15mA
21.999+ ~ 56.000MHz	20mA
Output Symmetry (50% $V_{DD}$ )	40% ~ 60%
Rise Time (10% ~ 90% $V_{DD}$ ) ( $T_R$ )	7nS
Fall Time (90% ~ 10% $V_{DD}$ ) ( $T_F$ )	7nS
Output Voltage	
Output Low ( $V_{OL}$ )	10% $V_{DD}$
Output High ( $V_{OH}$ )	90% $V_{DD}$ Min
Output Current	
( $I_{OL}$ )	2mA Min
( $I_{OH}$ )	2mA Min
Output Load	15pF Nom
Start-up Time ( $T_S$ )	10 mS

<sup>1</sup> For proper operation, a control voltage ( $V_C$ ) must be applied to pin 1.

## DIMENSIONS / MECHANICAL SPECIFICATIONS



### Recommended Solder Pad Layout



### Pin Connections

#1  $V_C$       #3 Output  
#2 GND      #4  $V_{DD}$

All dimensions are in millimeters.

# FT9HV

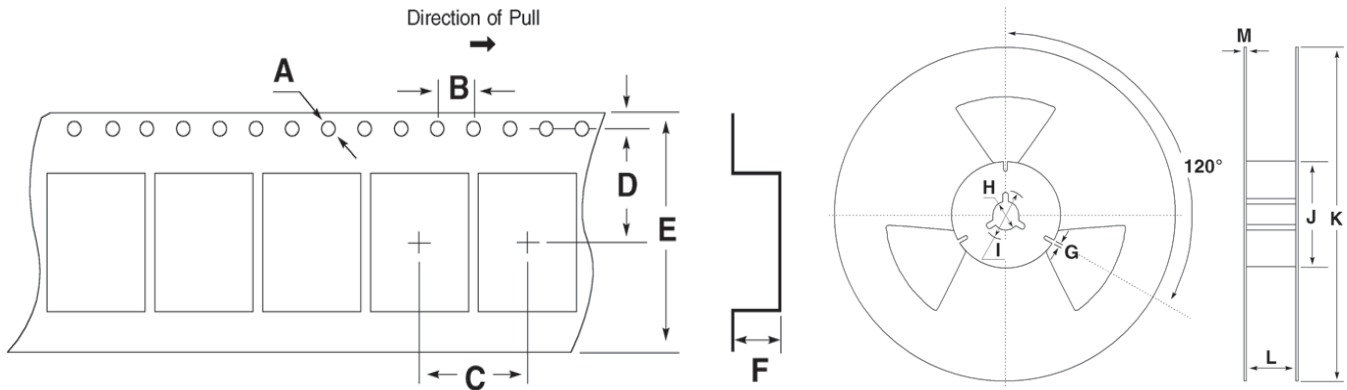
(Former FOX801BHCLF)

11.4mm x 9.6mm

HCMOS, VCTCXO



TAPE SPECIFICATIONS (mm)							REEL SPECIFICATIONS (mm)								
MODEL	A	B	C	D	E	F	REEL QTY	MODEL	G	H	I	J	K	L	M
FT9HV	Ø1.5	4.0	12.0	11.5	24.0	2.7	1,000	FT9HV	2.0	Ø13	Ø21	Ø80	Ø330	25.5	1.6



## Available Options & Part Identification for VCTCXO Model T9HV

Sample PN: FT9HVBPH25.0-T1

F	T9HV	B	P	H	25.0	-T1
<u>Fox</u>	<u>Model Number</u> T9HV = VCTCXO	<u>Voltage</u> B = +3.3V±5%	<u>Stability</u> P = ±2.5 PPM	<u>Operating Temperature</u> H = -30 to +75°C	<u>Frequency (MHz)</u>	<u>Values Added Options</u> Blank = Bulk T1 = 1,000 pcs

### Reliability Test Conditions

Please contact Abracon Quality Assurance department