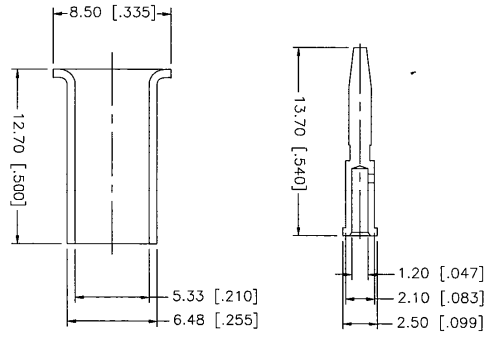
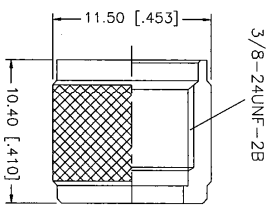
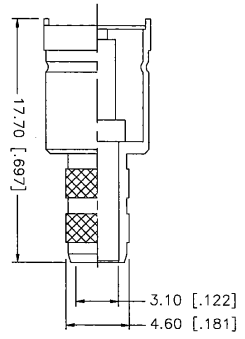
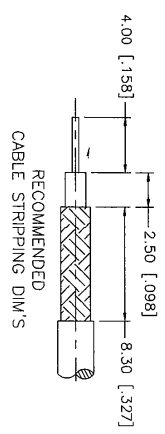


REV	DATE	DESCRIPTION
NC	01/17/00	INITIAL RELEASE
A	08/02/06	UPDATE DRAWING FORMAT



NOTE:  
 1. CRIMPED FERRULE HEX CRIMP SIZE .213"  
 2. CRIMPED CONTACT PIN HEX CRIMP SIZE .068"

DESCRIPTION	MATERIAL	FINISH	QTY	DC NOT SCALE DRAWING	CAD FILE	DWG. NO.	REV	SIZE	SCALE
8									
7									
6									
5									
4	COPPER	NICKEL	1						
3	BRASS	GOLD	1						
2	TEFLON	NATURAL	1						
1	BRASS	NICKEL	1						
UNLESS OTHERWISE SPECIFIED DIMENSIONS ARE IN MILLIMETERS (IN PARENTHESES) UNLESS OTHERWISE SPECIFIED DIMENSIONS FOR MATERIALS ARE: B = 30mm ± 0.40mm 30 - 120mm ± 0.50mm UNLESS OTHERWISE SPECIFIED DIMENSIONS FOR HOLES ARE: Ø20 - 1.180 ± 0.015° Ø31.5 - 1.180 ± 0.020° 1.180 - 4.724 ± 0.020°					APPROVALS DRAWN G.R.S. CHECKED ISSUED SHEET 1 OF 1	DATE 08/02/06	<b>Amphenol Connex</b> PART DESCRIPTION MINI-UHF CRIMP PLUG (FOR LMR 200 CABLE) PART NO. 182314		
DC NOT SCALE DRAWING					CAD FILE C:/182/182314.DWG	DWG. NO. 182314.DWG	REV. A	SIZE A	SCALE NA