

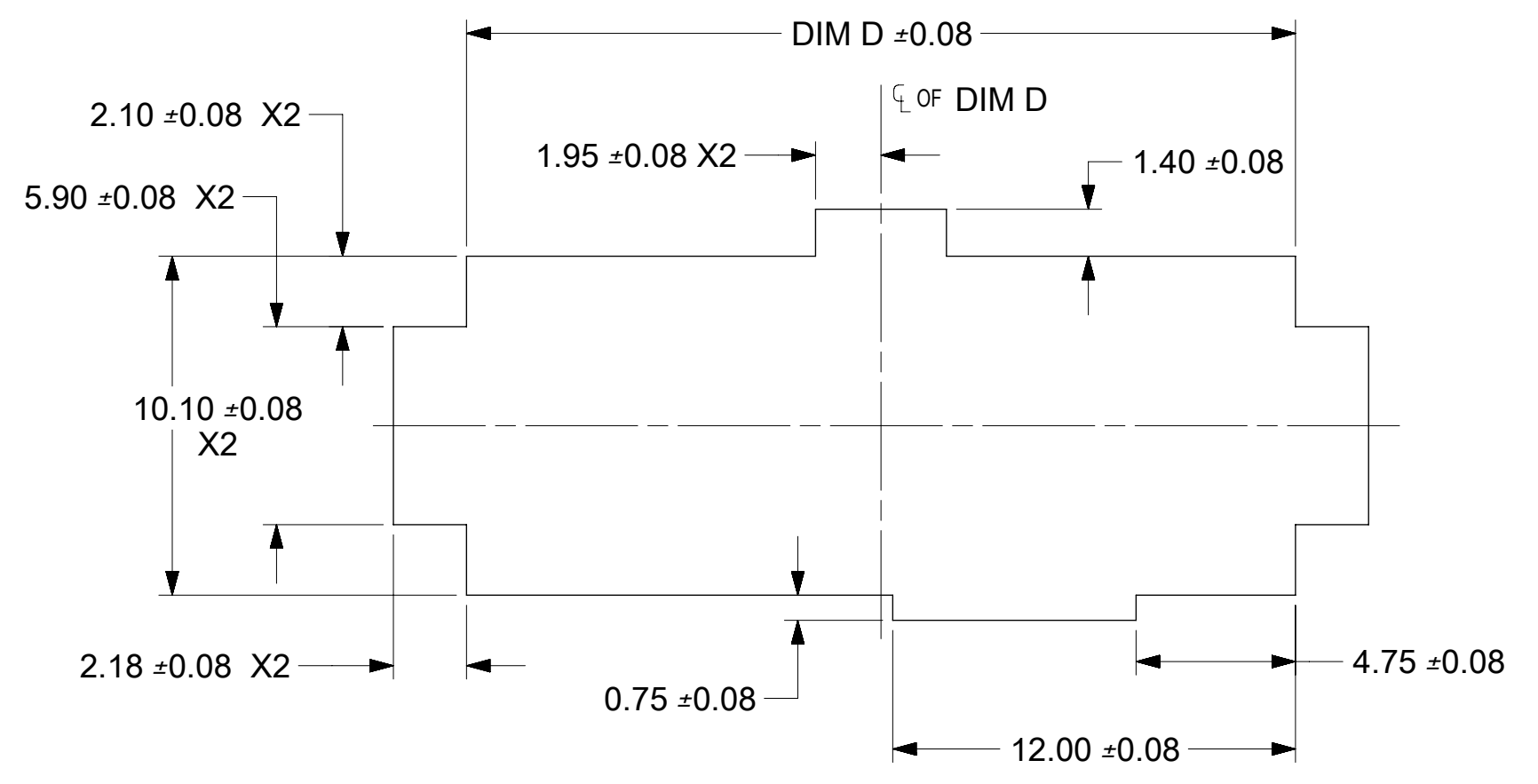
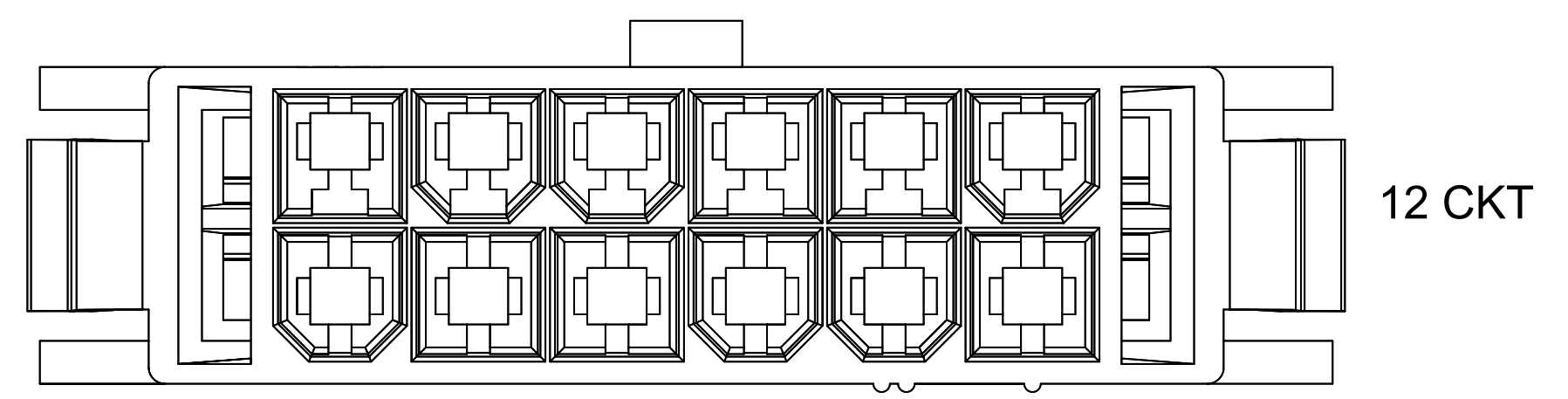
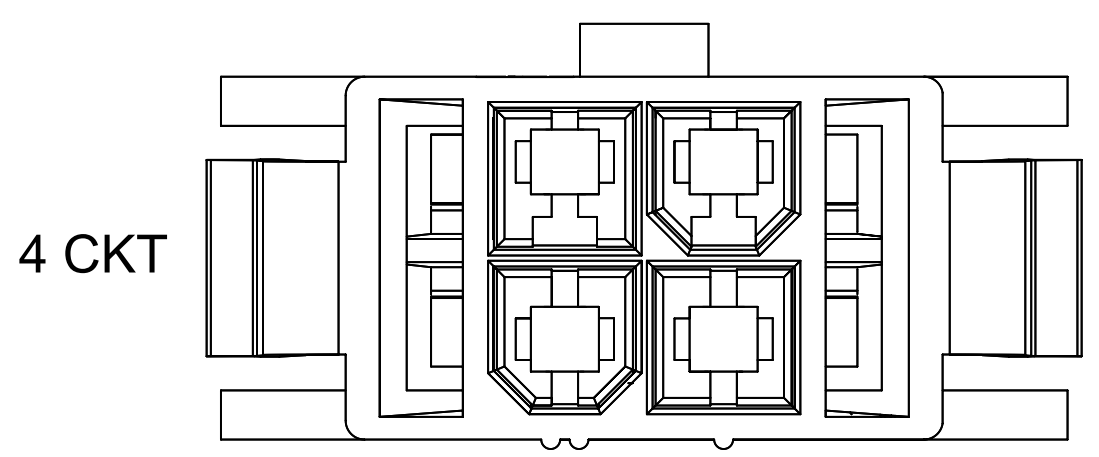
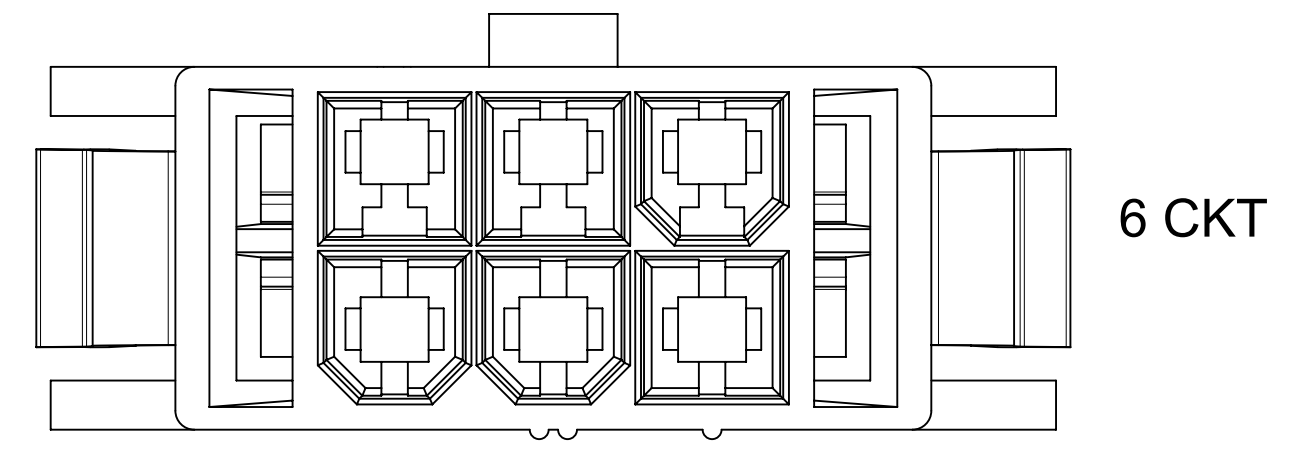
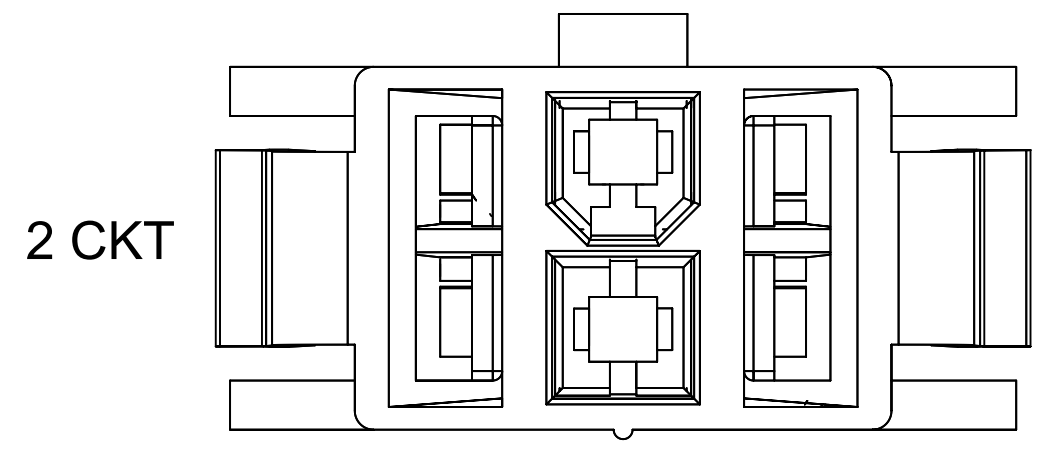
- NOTES:**
- MATERIAL:**
 'A' = NYLON V-0 LOW HALOGEN; COLOR: BLACK
 'B' = NYLON V-2 GLOW WIRE CAPABLE; COLOR: BLACK
 'C' = NYLON V-2; COLOR: BLACK
 - FINISH:** NONE
 - PRODUCT SPECIFICATION:** PS-172718-0000 and 2029880001-PS
APPLICATION SPECIFICATION: AS-172718-0000
 - PACKAGING SPECIFICATION:** BULK
 PK-172767-0000
 REFER TO AS-45499-001 FOR MOISTURIZING NYLON CONNECTOR PARTS.
 - THIS PART TO BE USED WITH MALE TERMINAL SERIES 172765, 203070 AND TPA SERIES 172709.
 - THIS PART MATES WITH SERIES 5557 AND 172708.
 - THIS PART CONFORMS TO CLASS 'B' REQUIREMENTS OF COSMETIC SPECIFICATION PS-45499-002.
 - THIS PRODUCT MUST BE USED WITH THE TPA INSTALLED.
 - SEE DRAWING SD-172709-0000 AND 1727090001-SD FOR OTHER TPA INFORMATION.
 - SEE DRAWINGS SD-172765-0000 and 2030700001-PSD FOR OTHER CRIMP TERMINAL INFORMATION.

THIS DRAWING CONTAINS INFORMATION THAT IS PROPRIETARY TO MOLEX ELECTRONIC TECHNOLOGIES, LLC AND SHOULD NOT BE USED WITHOUT WRITTEN PERMISSION									
DIMENSION UNITS		SCALE		CURRENT REV DESC: TOL. UPDT PER EGD					
mm		5:1							
GENERAL TOLERANCES (UNLESS SPECIFIED)									
ANGULAR TOL		±		°					
4 PLACES		±							
3 PLACES		±							
2 PLACES		±		0.13					
1 PLACE		±		0.2					
0 PLACES		±							
DRAFT WHERE APPLICABLE MUST REMAIN WITHIN DIMENSIONS				THIRD ANGLE PROJECTION		DRAWING		SERIES	
				C-SIZE		172767			
EC NO: 628539				DRWN: GJEEVANSURES		2019/11/27			
CHK'D: GJEEVANSURES				2020/03/26					
APPR: NCSR				2020/03/27					
INITIAL REVISION:				DRWN: TGREGORI		2015/02/16		HOUSING, DUAL ROW PLUG PANEL MOUNT MINI-FIT TPA2	
APPR: RHODGE				2015/02/26				PRODUCT CUSTOMER DRAWING	
DOCUMENT NUMBER				DOC TYPE		DOC PART		REVISION	
SD-172767-0000				PSD		000		E4	
MATERIAL NUMBER				CUSTOMER		SHEET NUMBER			
SEE TABLE				GENERAL MARKET		1 OF 6			

PART NUMBER	CKTS	DIM C	DIM D	MATERIAL
1727670002	2	14.20	14.70	A
1727670102				B
1727670202				C
1727670004	4	15.80	16.30	A
1727670104				B
1727670204				C
1727670006	6	20.00	20.50	A
1727670106				B
1727670206				C
1727670012	12	32.60	33.10	A
1727670112				B
1727670212				C

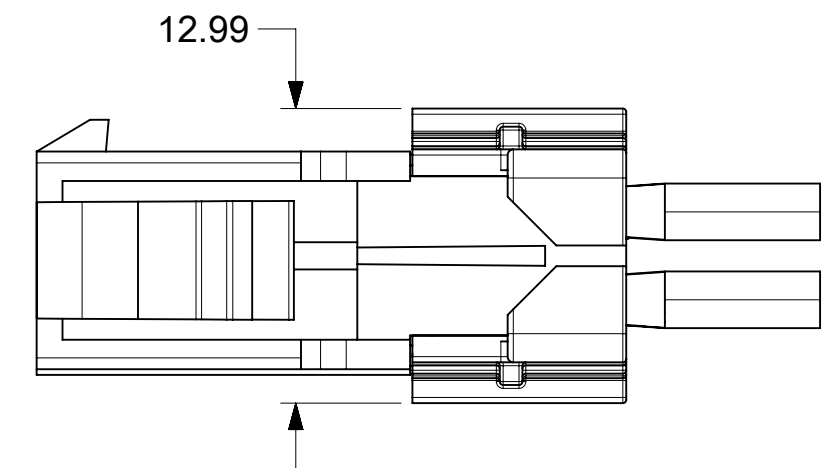
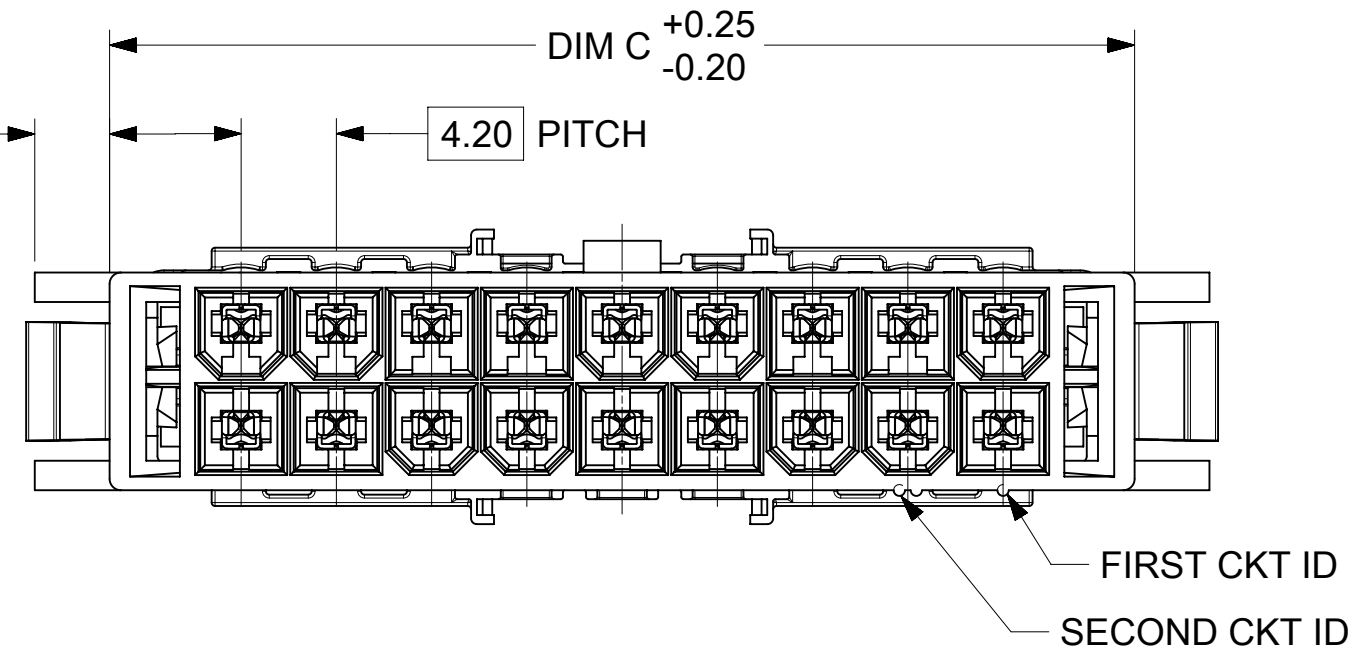
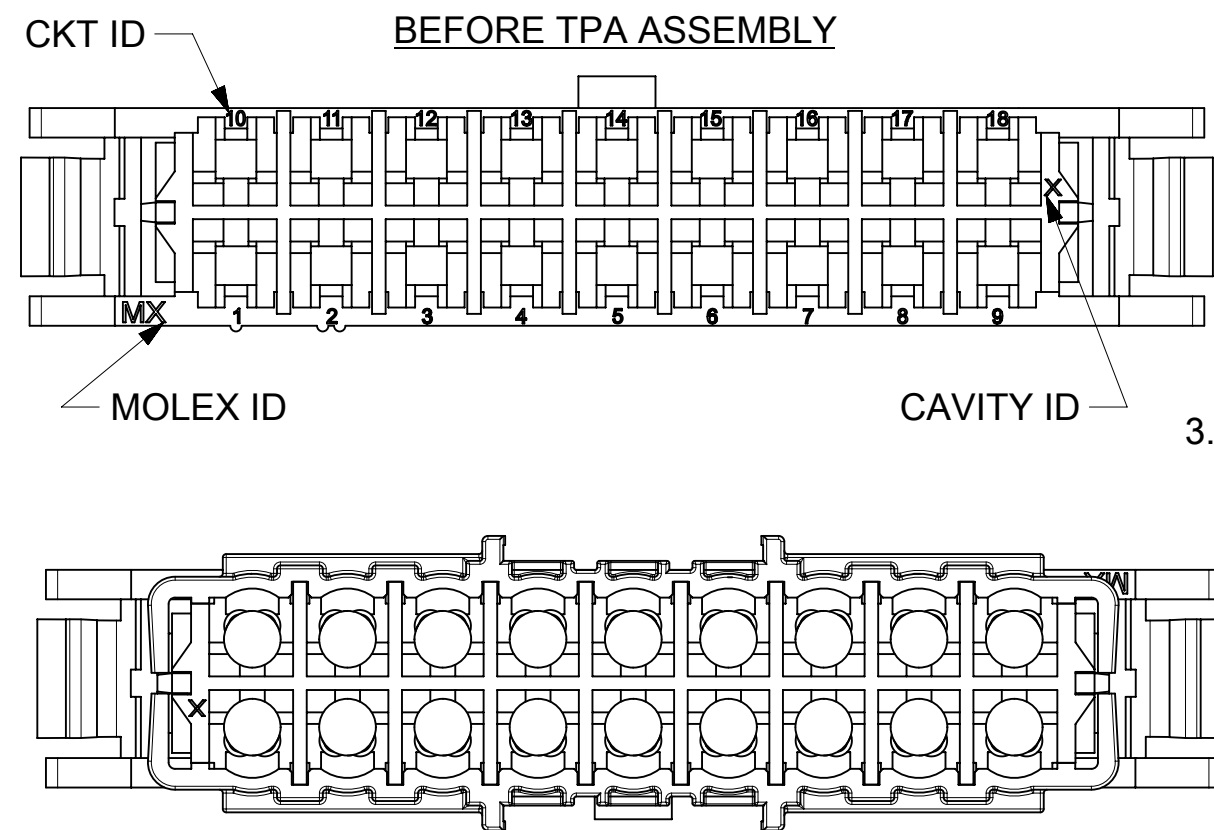
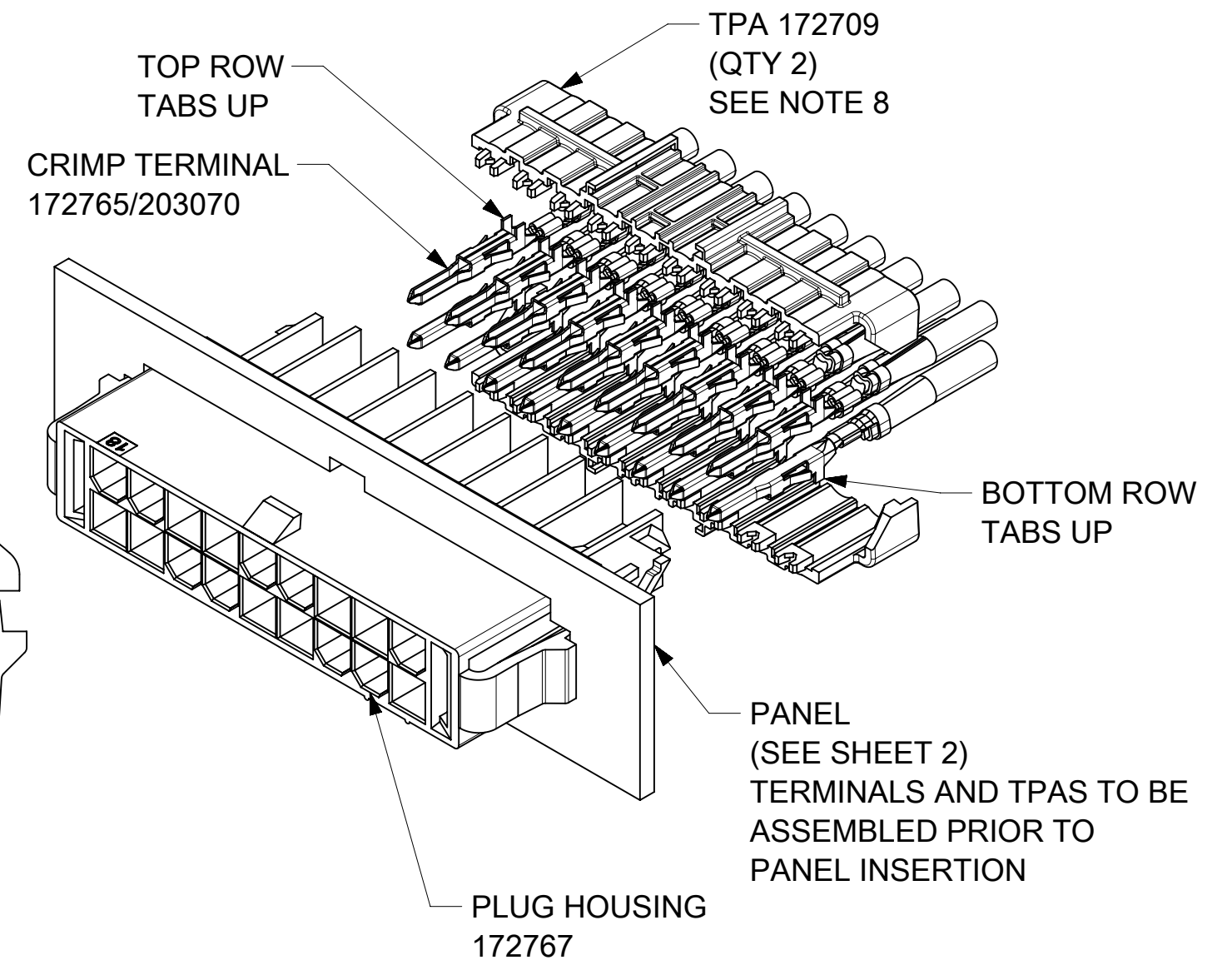
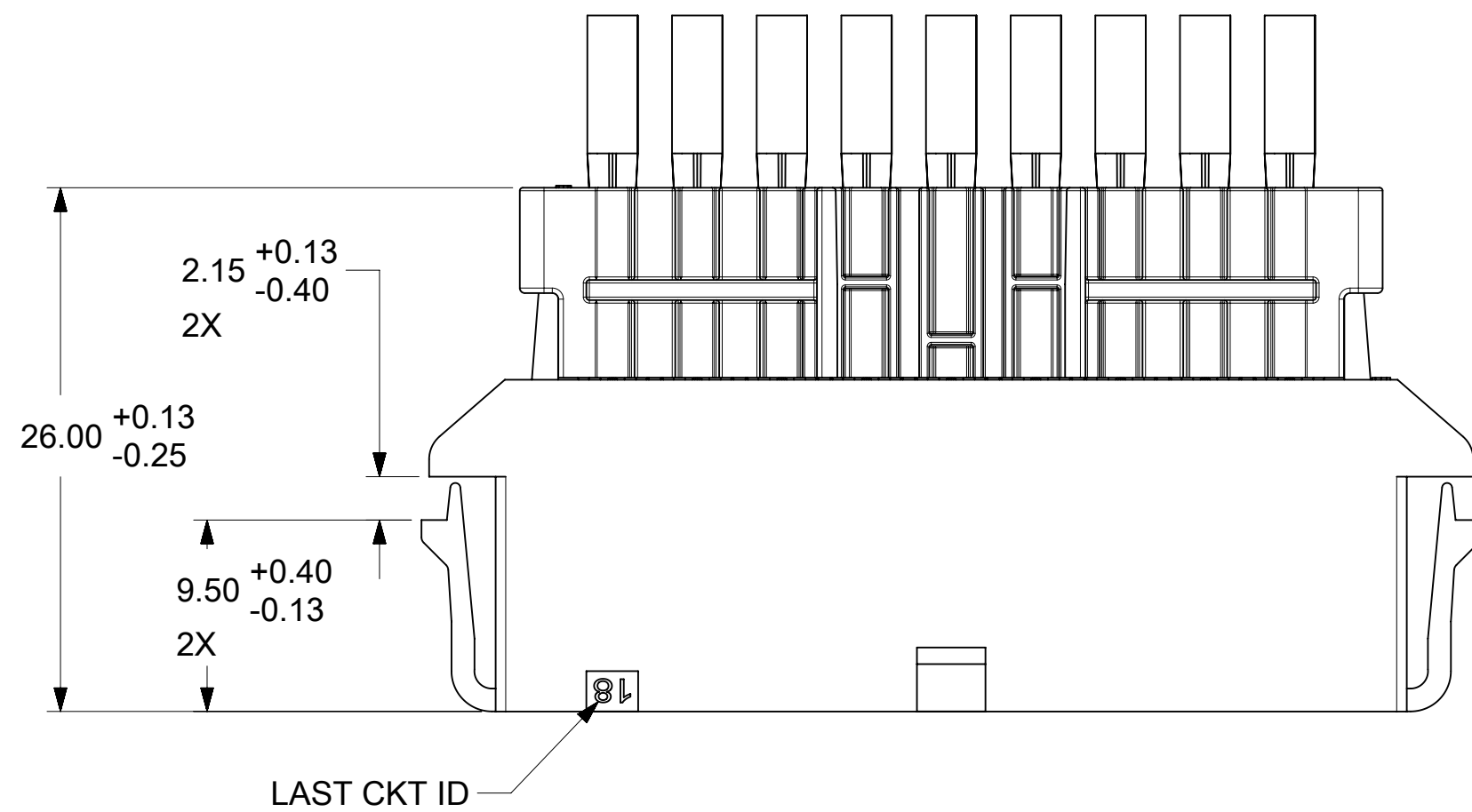
POLARIZATION DETAIL

SHOWN WITHOUT TPA OR TERMINAL FOR CLARITY



RECOMMENDED PANEL CUT-OUT
(VIEW FROM MATING SIDE)
MAX PANEL THICKNESS 1.60

THIS DRAWING CONTAINS INFORMATION THAT IS PROPRIETARY TO MOLEX ELECTRONIC TECHNOLOGIES, LLC AND SHOULD NOT BE USED WITHOUT WRITTEN PERMISSION									
DIMENSION UNITS	SCALE	CURRENT REV DESC: TOL. UPDT PER EGD							
mm	5:1	molex							
GENERAL TOLERANCES (UNLESS SPECIFIED)		HOUSING, DUAL ROW PLUG PANEL MOUNT MINI-FIT TPA2							
ANGULAR TOL	± °	EC NO: 628539							
4 PLACES	±	DRWN: GJEEVANSURES 2019/11/27							
3 PLACES	±	CHK'D: GJEEVANSURES 2020/03/26							
2 PLACES	± 0.13	APPR: NCSR 2020/03/27							
1 PLACE	± 0.2	INITIAL REVISION:							
0 PLACES	±	DRWN: TGREGORI 2015/02/16							
DRAFT WHERE APPLICABLE MUST REMAIN WITHIN DIMENSIONS		THIRD ANGLE PROJECTION		DRAWING		SERIES		MATERIAL NUMBER	
				C-SIZE		172767		SEE TABLE	
								CUSTOMER	
								GENERAL MARKET	
								SHEET NUMBER	
								2 OF 6	



NOTES:

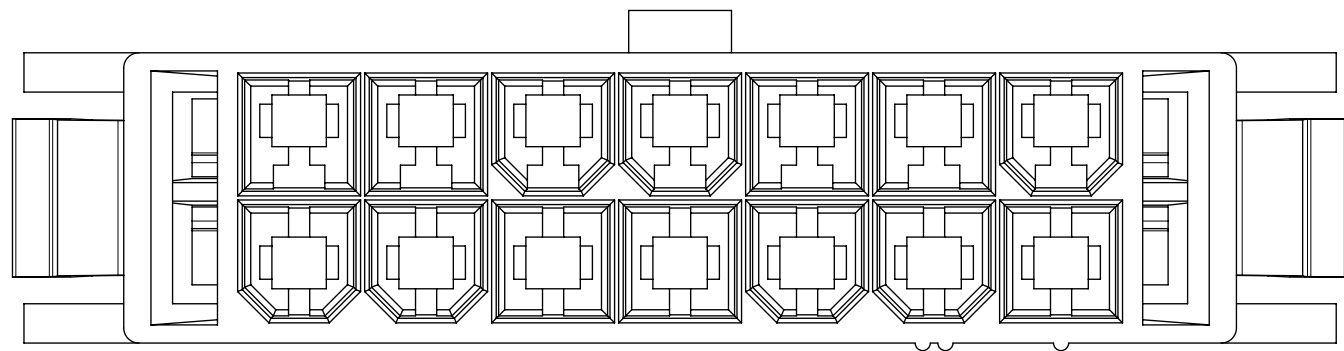
1. MATERIAL:
'A' = NYLON V-0 LOW HALOGEN; COLOR: BLACK
'B' = NYLON V-2 GLOW WIRE CAPABLE; COLOR: BLACK
2. FINISH: NONE
3. PRODUCT SPECIFICATION: PS-172718-0000 and 2029880001-PS
APPLICATION SPECIFICATION: AS-172718-0000
4. PACKAGING SPECIFICATION: BULK
1727670001-PK
REFER TO AS-45499-001 FOR MOISTURIZING NYLON CONNECTOR PARTS.
5. THIS PART TO BE USED WITH MALE TERMINAL SERIES 172765, 203070 AND TPA SERIES 172709.
6. THIS PART MATES WITH SERIES 5557 AND 172708.
7. THIS PART CONFORMS TO CLASS 'B' REQUIREMENTS OF COSMETIC SPECIFICATION PS-45499-002.
8. THIS PRODUCT MUST BE USED WITH THE TPA INSTALLED.
9. SEE DRAWING 1727090001-SD FOR OTHER TPA INFORMATION.
10. SEE DRAWINGS SD-172765-0000 and 2030700001-PSD FOR OTHER CRIMP TERMINAL INFORMATION.

THIS DRAWING CONTAINS INFORMATION THAT IS PROPRIETARY TO MOLEX ELECTRONIC TECHNOLOGIES, LLC AND SHOULD NOT BE USED WITHOUT WRITTEN PERMISSION

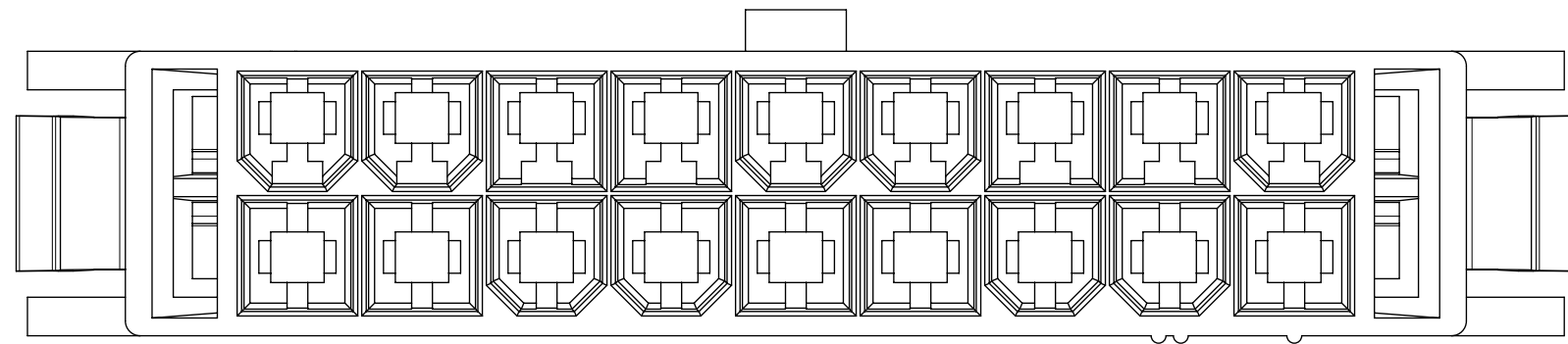
DIMENSION UNITS	SCALE	CURRENT REV DESC: TOL. UPDT PER EGD	
mm	5:1		
GENERAL TOLERANCES (UNLESS SPECIFIED)		<p>molex</p> <p>HOUSING, DUAL ROW PLUG PANEL MOUNT MINI-FIT TPA2</p> <p>PRODUCT CUSTOMER DRAWING</p> <p>DOCUMENT NUMBER: SD-172767-0000 DOC TYPE: PSD DOC PART: 000 REVISION: E4</p>	
ANGULAR TOL	± °		
4 PLACES	±		
3 PLACES	±		
2 PLACES	± 0.13		
1 PLACE	± 0.2		
0 PLACES	±	<p>INITIAL REVISION:</p> <p>DRWN: TGREGORI 2015/02/16</p> <p>APPR: RHODGE 2015/02/26</p>	
DRAFT WHERE APPLICABLE MUST REMAIN WITHIN DIMENSIONS	THIRD ANGLE PROJECTION	DRAWING C-SIZE	SERIES 172767
DOCUMENT STATUS	P1	RELEASE DATE	2020/03/27 05:21:35

POLARIZATION DETAIL

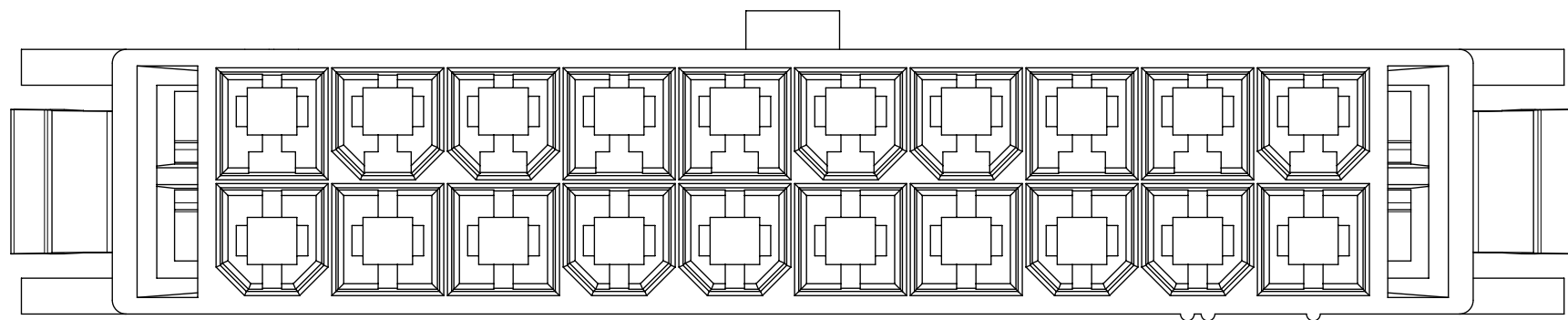
SHOWN WITHOUT TPA OR TERMINAL FOR CLARITY



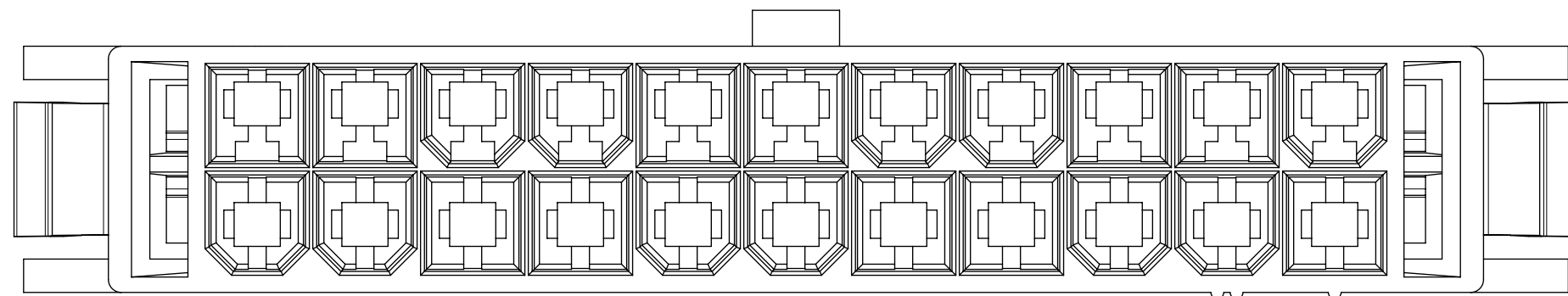
14 CKT



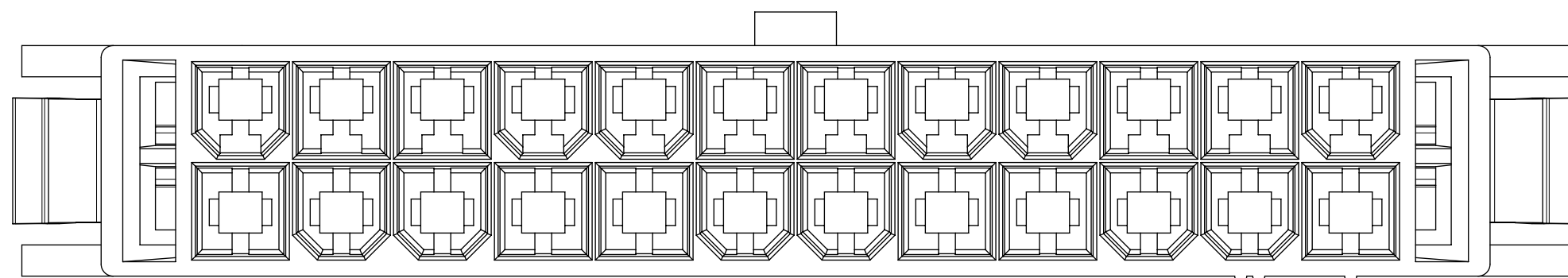
18 CKT



20 CKT




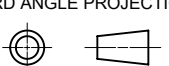
22 CKT



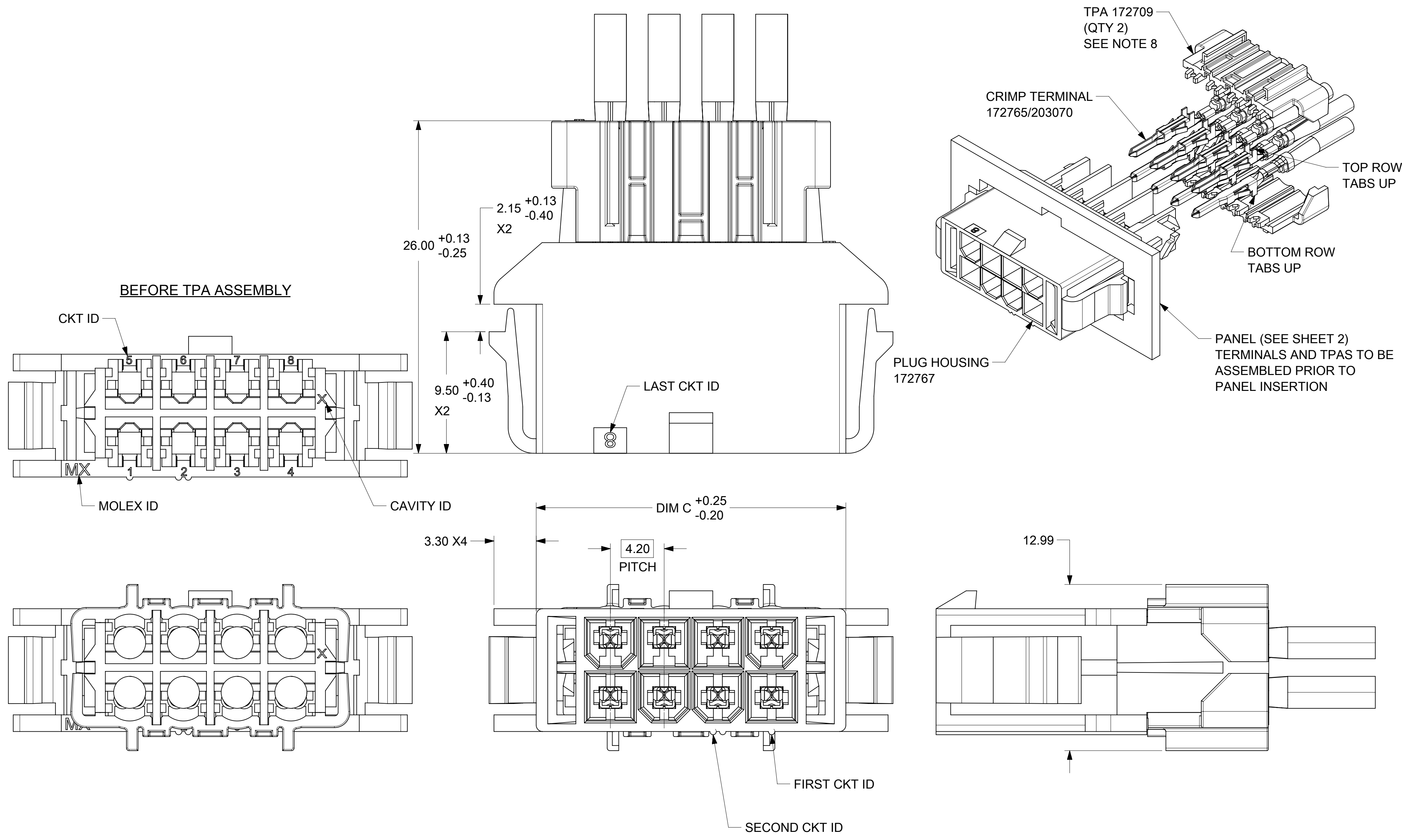
24 CKT

PART NUMBER	CKT	DIM C	DIM D	MATERIAL
1727670014	14	36.80	37.30	A
1727670114				B
1727670018	18	45.20	45.70	A
1727670118				B
1727670020	20	49.40	49.90	A
1727670120				B
1727670022	22	53.60	54.10	A
1727670122				B
1727670024	24	57.80	58.30	A
1727670124				B

THIS DRAWING CONTAINS INFORMATION THAT IS PROPRIETARY TO MOLEX ELECTRONIC TECHNOLOGIES, LLC AND SHOULD NOT BE USED WITHOUT WRITTEN PERMISSION

DIMENSION UNITS: mm		SCALE: 5:1		CURRENT REV DESC: TOL. UPDT PER EGD				 HOUSING, DUAL ROW PLUG PANEL MOUNT MINI-FIT TPA2							
GENERAL TOLERANCES (UNLESS SPECIFIED)				EC NO: 628539 DRWN: GJEEVANSURES 2019/11/27 CHK'D: GJEEVANSURES 2020/03/26 APPR: NCSR 2020/03/27											
ANGULAR TOL ± °				INITIAL REVISION:				PRODUCT CUSTOMER DRAWING							
4 PLACES ±				DRWN: TGREGORI 2015/02/16				DOCUMENT NUMBER		DOC TYPE		DOC PART		REVISION	
3 PLACES ±				APPR: RHODGE 2015/02/26				SD-172767-0000		PSD		000		E4	
2 PLACES ± 0.13								MATERIAL NUMBER		CUSTOMER		SHEET NUMBER			
1 PLACE ± 0.2								SEE TABLE		GENERAL MARKET		4 OF 6			
0 PLACES ±															
DRAFT WHERE APPLICABLE MUST REMAIN WITHIN DIMENSIONS				THIRD ANGLE PROJECTION		DRAWING		SERIES		MATERIAL NUMBER		CUSTOMER		SHEET NUMBER	
						C-SIZE		172767		SEE TABLE		GENERAL MARKET		4 OF 6	

DOCUMENT STATUS	P1	RELEASE DATE	2020/03/27	05:21:35
-----------------	----	--------------	------------	----------



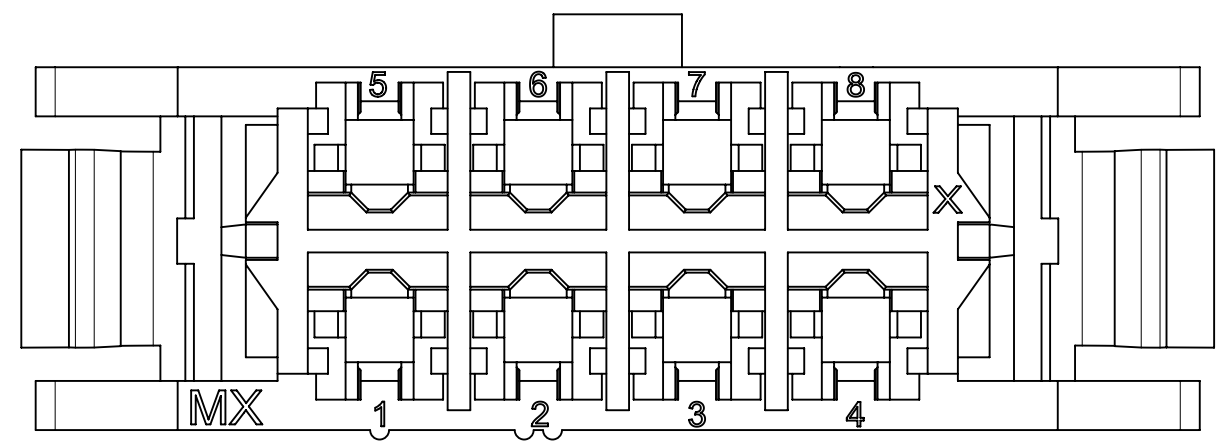
NOTES:
 1. FOR 8CKT AND 10CKT REFER NOTES IN SHEET 1.
 2. FOR 16CKT REFER NOTES IN SHEET 3.

THIS DRAWING CONTAINS INFORMATION THAT IS PROPRIETARY TO MOLEX ELECTRONIC TECHNOLOGIES, LLC AND SHOULD NOT BE USED WITHOUT WRITTEN PERMISSION									
DIMENSION UNITS		SCALE		CURRENT REV DESC: TOL. UPDT PER EGD					
mm		5:1		molex HOUSING, DUAL ROW PLUG PANEL MOUNT MINI-FIT TPA2 PRODUCT CUSTOMER DRAWING					
GENERAL TOLERANCES (UNLESS SPECIFIED)									
ANGULAR TOL ± °									
4 PLACES ±									
3 PLACES ±									
2 PLACES ± 0.13				EC NO: 628539		2019/11/27		DOCUMENT NUMBER	
1 PLACE ± 0.2				DRWN: GJEEVANSURES		2020/03/26		SD-172767-0000	
0 PLACES ±				CHK'D: GJEEVANSURES		2020/03/27		DOC TYPE DOC PART REVISION	
DRAFT WHERE APPLICABLE MUST REMAIN WITHIN DIMENSIONS				APPR: NCSR		2020/03/27		PSD 000 E4	
THIRD ANGLE PROJECTION		DRAWING		SERIES		MATERIAL NUMBER		CUSTOMER	
C-SIZE		172767		SEE TABLE		GENERAL MARKET		SHEET NUMBER	
								5 OF 6	

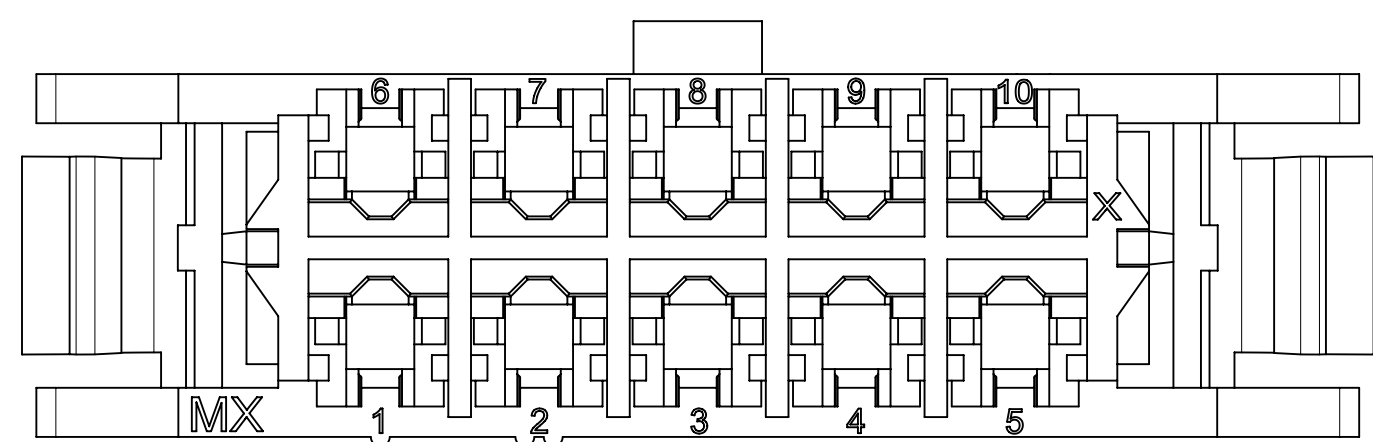
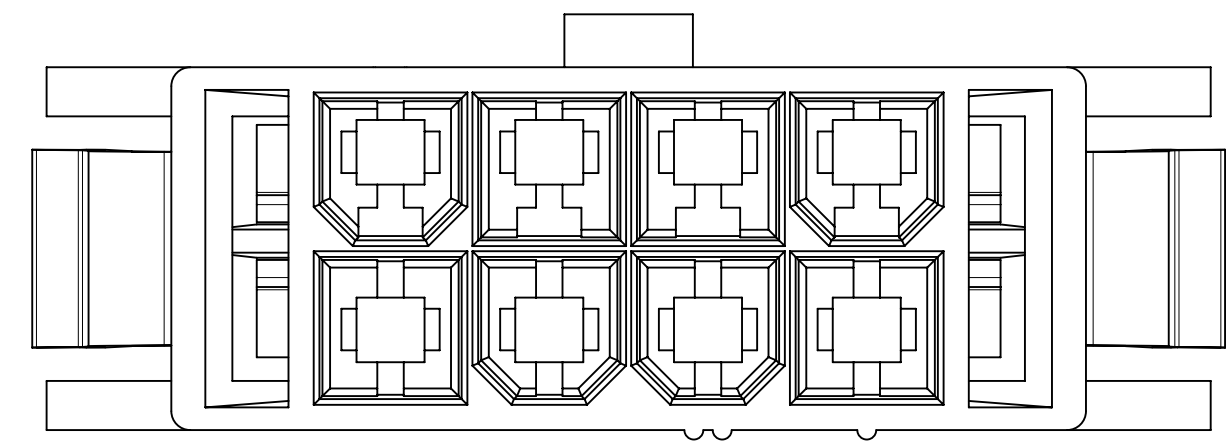
PART NUMBER	CKTS	DIM C	DIM D	MATERIAL
1727670008	8	24.20	24.70	A
1727670108				B
1727670010	10	28.40	28.90	A
1727670110				B
1727670016	16	41.00	41.50	A
1727670116				B

POLARIZATION DETAIL

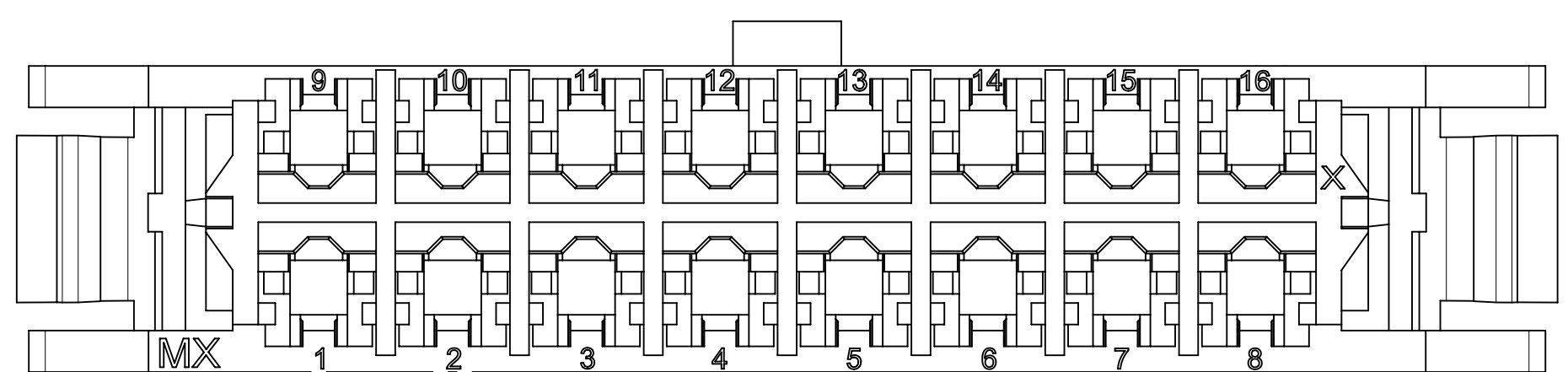
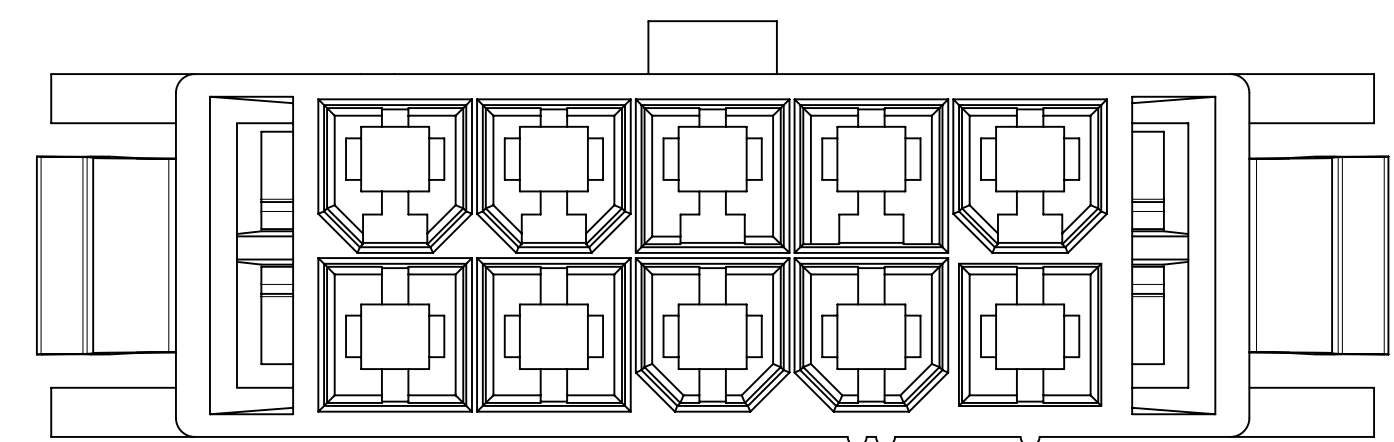
SHOWN WITHOUT TPA OR TERMINAL FOR CLARITY



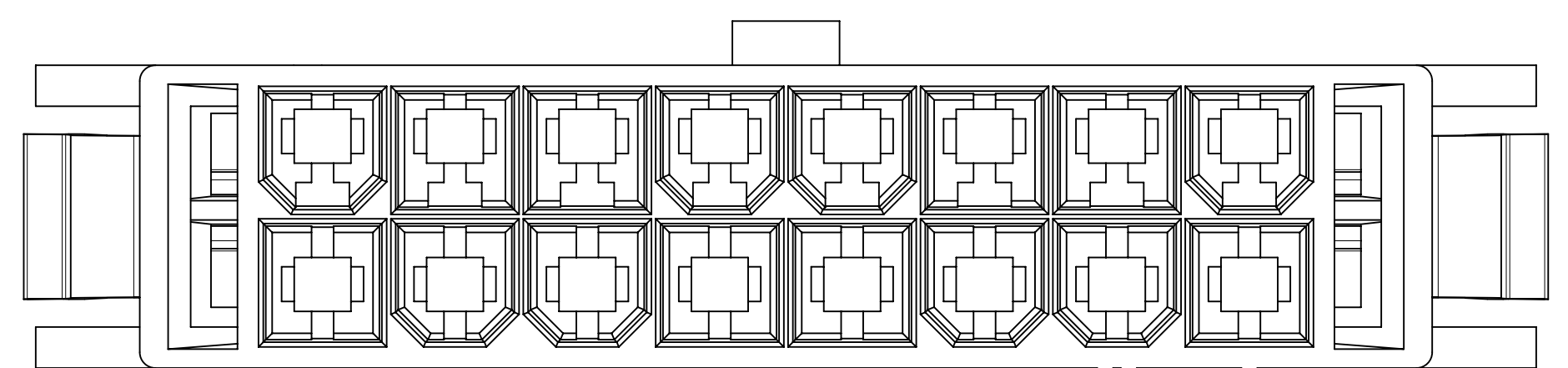
8 CKT



10 CKT



16 CKT



THIS DRAWING CONTAINS INFORMATION THAT IS PROPRIETARY TO MOLEX ELECTRONIC TECHNOLOGIES, LLC AND SHOULD NOT BE USED WITHOUT WRITTEN PERMISSION																	
DIMENSION UNITS		SCALE		CURRENT REV DESC: TOL. UPDT PER EGD													
mm		5:1		<div style="text-align: center;">molex</div> <p>HOUSING, DUAL ROW PLUG PANEL MOUNT MINI-FIT TPA2</p> <p>PRODUCT CUSTOMER DRAWING</p> <table border="1" style="width: 100%;"> <tr> <td>DOCUMENT NUMBER</td> <td>DOC TYPE</td> <td>DOC PART</td> <td>REVISION</td> </tr> <tr> <td>SD-172767-0000</td> <td>PSD</td> <td>000</td> <td>E4</td> </tr> </table>						DOCUMENT NUMBER	DOC TYPE	DOC PART	REVISION	SD-172767-0000	PSD	000	E4
DOCUMENT NUMBER	DOC TYPE	DOC PART	REVISION														
SD-172767-0000	PSD	000	E4														
GENERAL TOLERANCES (UNLESS SPECIFIED)										EC NO: 628539		DRWN: GJEEVANSURES 2019/11/27					
		MM	INCH							CHK'D: GJEEVANSURES 2020/03/26		APPR: NCSR 2020/03/27					
4 PLACES	±									INITIAL REVISION:		DRWN: TGREGORI 2015/02/16					
3 PLACES	±			APPR: RHODGE 2015/02/26		SERIES 172767											
2 PLACES	±	0.13		DRAFT WHERE APPLICABLE MUST REMAIN WITHIN DIMENSIONS		THIRD ANGLE PROJECTION											
1 PLACE	±	0.2		DRAWING		C-SIZE											
0 PLACES	±			SHEET NUMBER		6 OF 6											
DOCUMENT STATUS		P1	RELEASE DATE	2020/03/27	05:21:35	MATERIAL NUMBER		CUSTOMER	SHEET NUMBER								
						SEE TABLE		GENERAL MARKET	6 OF 6								