



FOCUS LCDs

LCDs MADE SIMPLE®

Ph. 480-503-4295 | NOPP@FocusLCDs.com

TFT | OLED | GRAPHIC | CHARACTER | UWVD | SEGMENT | CUSTOM

Graphic OLED Module

Part Number

O12864A-GLB-TW3

Overview:

- 128x64 Graphic OLED
- Light Blue Pixel Color
- Overall Size: 26.70mm x 31.26mm
- Parallel Interface
- -40C to 70C Operating Temperature
- 2.8V
- Controller: SSD1306
- RoHS Compliant

Graphic OLED Features:

Resolution: 128 x 64

Interface: Parallel

Controller: SSD1306

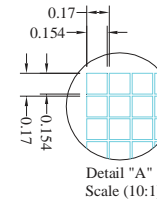
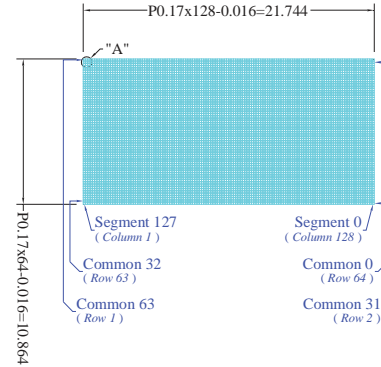
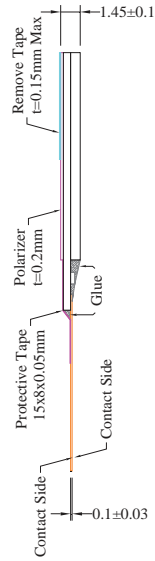
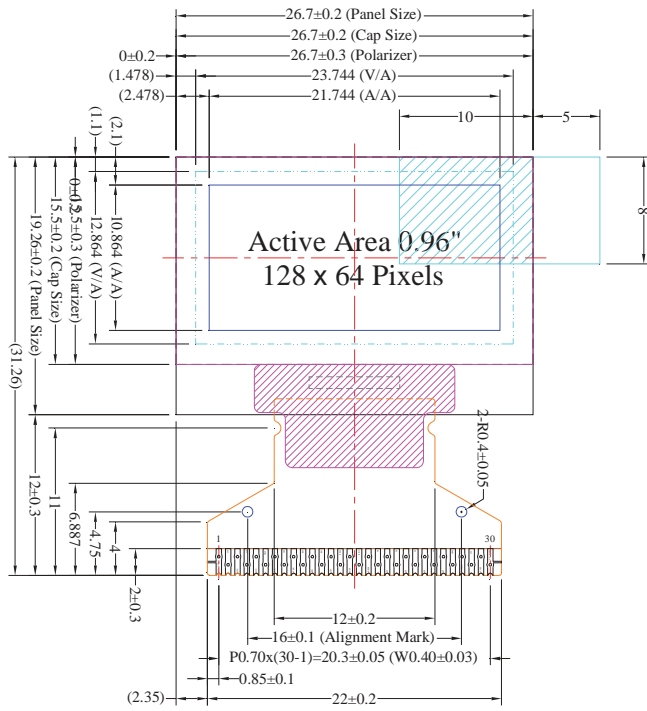
RoHS Compliant

General Information Items	Specification	Unit	Note
	Main Panel		
Viewing Area	23.744 x 12.864	mm	-
Pixel Color	Light Blue	-	-
Viewing Direction	Full	-	-
Voltage	2.8	V	-
Resolution	128x64	-	-
Controller IC	SSD1306	-	-
Interface	Parallel	-	-
Operating temperature	-40~+70	°C	-
Storage temperature	-40~+85	°C	-

Mechanical Information

Item		Min	Typ.	Max	Unit	Note
Module size	X (Width)	-	26.70	-	mm	-
	Y (Height)	-	19.26	-	mm	-
	Z (Depth)	-	-	1.45	mm	-


1. Outline Dimensions



Pin	Symbol
1	N.C. (GND)
2	C2P
3	C2N
4	C1P
5	C1N
6	VBAT
7	N.C.
8	VSS
9	VDD
10	BS0
11	BS1
12	BS2
13	CS#
14	RES#
15	D/C#
16	R/W#
17	E/RD#
18	D0
19	D1
20	D2
21	D3
22	D4
23	D5
24	D6
25	D7
26	IREF
27	VCOMH
28	VCC
29	VLSS
30	N.C. (GND)

Notes:

- 1.) Pixel Color: Light Blue
- 2.) OLED Type: Graphic
- 4.) Temperature Range: Wide
- 5.) Resolution: 128x64
- 6.) Interface: 8-bit 68XX/80XX Parallel, 3/4 wire SPI, I2C
- 7.) IC Controller: SSD1306



FOCUS LCDs
 LCDs MADE SIMPLE®

		PARTS NO.	O12864-GLB-TW3
TOLERANCE UNLESS OTHERWISE SPECIFIED	X.X±0.3	Drawn	Unit
OTHERWISE SPECIFIED	X.XX±0.2	Checked	mm
Scale 1:1	⊕	Approve	Page 1/1

2. Input Terminal Pin Assignment

NO.	Symbol	Description				I/O
1	N.C.	No Connection / Reserved Pin				-
2	C2P	Positive Terminal of the Flying Inverting Capacitor				I
3	C2N	Negative Terminal of the Flying Boost Capacitor				I
4	C1P	Positive Terminal of the Flying Inverting Capacitor				I
5	C1N	Negative Terminal of the Flying Boost Capacitor				I
6	VDDDB	Power Supply for DC/DC Convertor Circuit				P
7	N.C.	Reserved Pin				N.C.
8	VSS	Ground of Logic Circuit				P
9	VDD	Power Supply for Logic				P
10	BS0		BS0	BS1	BS2	I
		I ² C	0	1	0	
11	BS1	3-Wire SPI	1	0	0	I
		4-Wire SPI	0	0	0	
12	BS2	8-bit 68xx Parallel	0	0	1	I
		8-bit 80xx Parallel	0	1	1	
13	CS#	Chip Select				I
14	RES#	Power Reset for Controller and Driver				I
15	D/C#	Data/Command Control				I
16	R/W#	Read/Write Select or Write				I
17	E/RD#	Read/Write Enable or Read				I
18-25	D0-D7	Host Data Input/Output Bus				I
26	IREF	Current Reference for Brightness Adjustment				I
27	VCOMH	Voltage Output High Level for COM Signal				O
28	VCC	Power Supply for OEL Panel				P
29	VLSS	Ground of Analog Circuit				P
30	N.C.	No Connection / Reserved Pin				-

I: Input, O: Output, P: Power

3. Optical Characteristics

Characteristic	Symbol	Condition	Min	Typ.	Max	Unit
Brightness (V _{CC} Supplied Externally)	L _{br}	V _{DD} = 2.8V V _{CC} = 9V	100	120	-	cd/m ²
Brightness (V _{CC} Generated by Internal DC/DC)	L _{br}	V _{DD} = 2.8V V _{CC} = 7.25V	80	100	-	cd/m ²
CIE (Light Blue)	X Y	-	0.12 0.22	0.16 0.26	0.20 0.30	-
Dark Room Contrast	CR	-	-	>10000:1	-	-
Viewing Angle	-	-	-	Full	-	degrees

4. DC Electrical Characteristics

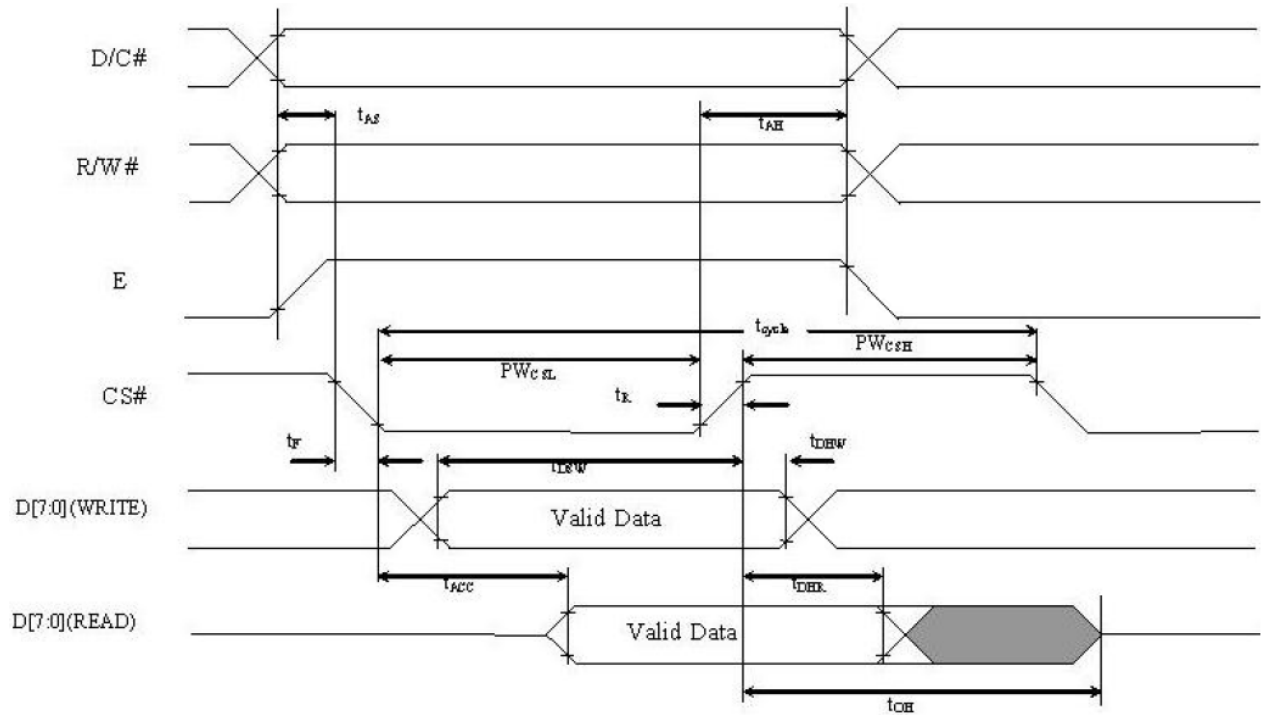
Characteristics	Symbol	Conditions	Min	Typ.	Max	Unit
Supply Voltage for Logic	V _{DD}	-	1.65	2.8	3.3	V
Supply Voltage for Display (Supplied Externally)	V _{CC}	Internal DC/DC Disable	8.5	9.0	9.5	V
High Level Input	V _{IH}	-	0.8V _{DD}	-	V _{DD}	V
Low Level Input	V _{IL}	-	0	-	0.2V _{DD}	V
High Level Output	V _{OH}	I _{out} =100μA, 3.3 MHz	0.9V _{DD}	-	V _{DD}	V
Low Level Output	V _{OL}	I _{out} =100μA, 3.3 MHz	0	-	0.1V _{DD}	V
Operating Current for V _{DD}	I _{DD}	-	-	180	300	μA
Operating Current for V _{CC} (V _{CC} Supplied Externally)	I _{CC}	-	-	14.2	17.8	mA
Sleep Mode Current for V _{DD}	I _{DD, SLEEP}	-	-	1	5	μA
Sleep Mode Current for V _{CC}	I _{CC, SLEEP}	-	-	2	10	μA

NOTE: If the maximum rating of the above parameters is exceeded, even momentarily, the quality of the product may be degraded. The maximum ratings specify the values which the product may be physically damaged if exceeded. Be sure to use the product within the range of the specified parameters.

5. Timing Characteristics

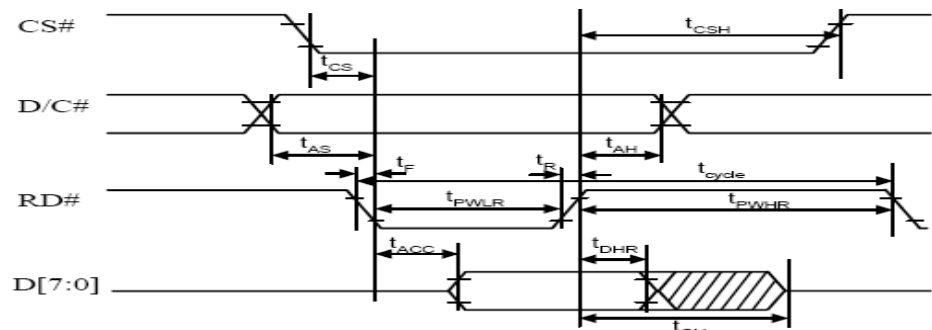
5.1 68XX-Series MPU Parallel Interface Timing Characteristics

Parameter	Symbol	Min	Max	Unit
Clock Cycle Time	t_{cyc}	300	-	ns
Address Setup Time	t_{AS}	5	-	ns
Address Hold Time	t_{AH}	0	-	ns
Write Data Setup Time	t_{DSW}	40	-	ns
Write Data Hold Time	t_{DHW}	7	-	ns
Read Data Hold Time	t_{DHR}	20	-	ns
Output Disable Time	t_{OH}	-	70	ns
Access Time	t_{ACC}	-	140	ns
Chip Select Low Pulse Width (Read)	PW_{CSL}	120	-	ns
Chip Select Low Pulse Width (Write)		60		ns
Chip Select High Pulse Width (Read)	PW_{CSH}	60	-	ns
Chip Select High Pulse Width (Write)		60		ns
Rise Time	t_r	-	40	ns
Fall Time	t_f	-	40	ns

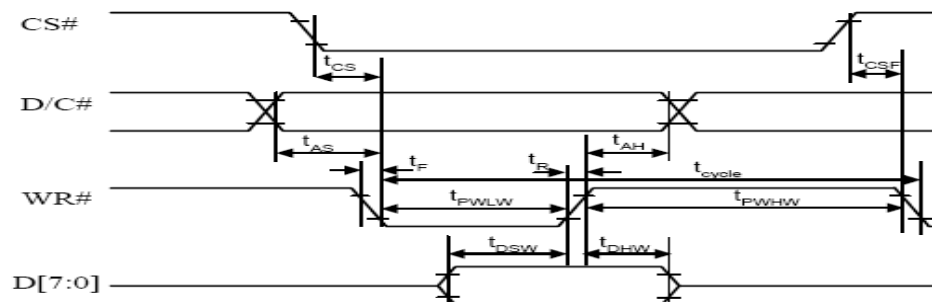


5.2 80XX-Series MPU Parallel Interface Timing Characteristics

Parameter	Symbol	Min	Max	Unit
Clock Cycle Time	t_{cycle}	300	-	ns
Address Setup Time	t_{AS}	10	-	ns
Address Hold Time	t_{AH}	0	-	ns
Write Data Setup Time	t_{DSW}	40	-	ns
Write Data Hold Time	t_{DHW}	7	-	ns
Read Data Hold Time	t_{DHR}	20	-	ns
Output Disable Time	t_{OH}	-	70	ns
Access Time	t_{ACC}	-	140	ns
Read Low Time	t_{PWLR}	120	-	ns
Write Low Time	t_{PWLW}	60	-	ns
Read High Time	t_{PWHR}	60	-	ns
Write High Time	t_{PWHW}	60	-	ns
Chip Select Setup Time	t_{CS}	0	-	ns
Chip Select Hold Time to Read Signal	t_{CSH}	0	-	ns
Chip Select Hold Time	t_{CSF}	20	-	ns
Rise Time	t_r	-	40	ns
Fall Time	t_f	-	40	ns



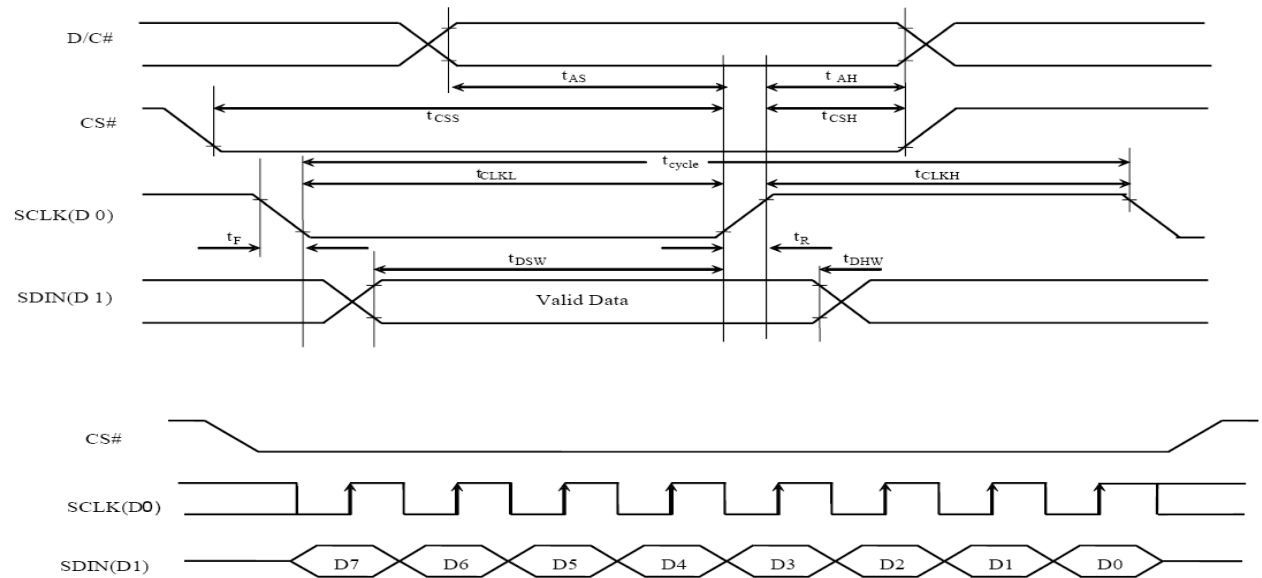
(Read Timing)



(Write Timing)

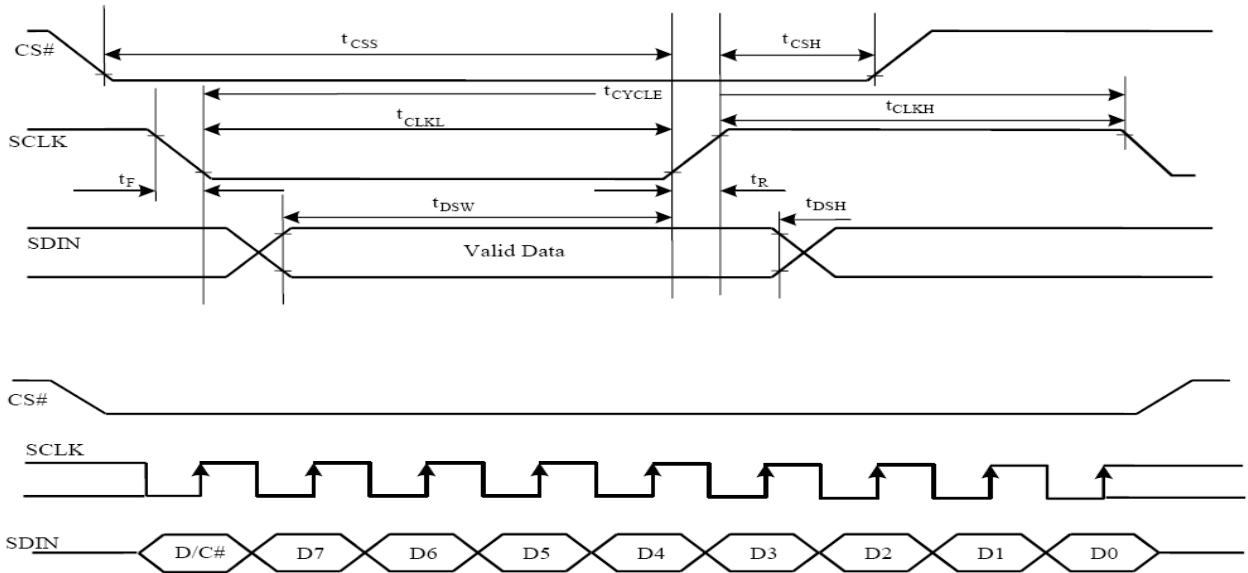
5.3 Serial Interface Timing Characteristics (4 wire SPI)

Parameter	Symbol	Min	Max	Unit
Clock Cycle Time	t_{cycle}	100	-	ns
Address Setup Time	t_{AS}	15	-	ns
Address Hold Time	t_{AH}	15	-	ns
Chip Select Setup Time	t_{CSS}	20	-	ns
Chip Select Hold Time	t_{CSH}	10	-	ns
Write Data Setup Time	t_{DSW}	15	-	ns
Write Data Hold Time	t_{DHW}	15	-	ns
Clock Low Time	t_{CLKL}	20	-	ns
Clock High Time	t_{CLKH}	20	-	ns
Rise Time	t_r	-	40	ns
Fall Time	t_f	-	40	ns



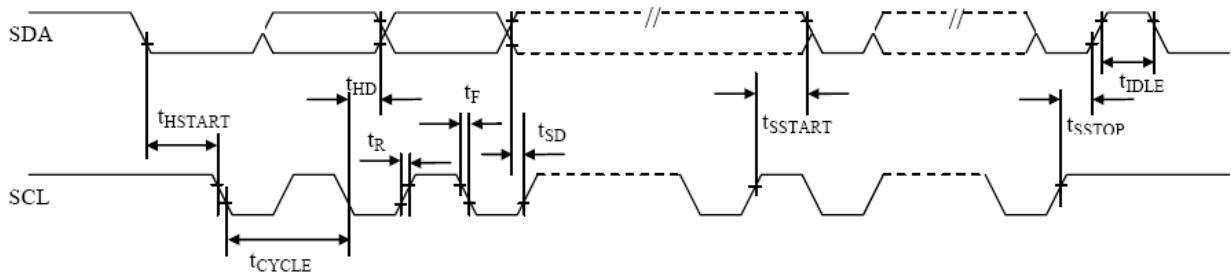
5.4 Serial Interface Timing Characteristics (3 wire SPI)

Parameter	Symbol	Min	Max	Unit
Clock Cycle Time	t_{cycle}	100	-	ns
Chip Select Setup Time	t_{CSS}	20	-	ns
Chip Select Hold Time	t_{CSH}	10	-	ns
Write Data Setup Time	t_{DSW}	15	-	ns
Write Data Hold Time	t_{DHW}	15	-	ns
Clock Low Time	t_{CLKL}	20	-	ns
Clock High Time	t_{CLKH}	20	-	ns
Rise Time	t_r	-	40	ns
Fall Time	t_f	-	40	ns



5.5 I²C Interface Timing Characteristics

Parameter	Symbol	Min	Max	Unit
Clock Cycle Time	t_{cycle}	2.5	-	μs
Start Condition Hold Time	t_{HSTART}	0.6	-	μs
Data Hold Time (for "SDA _{OUT} " Pin)	t_{HD}	0	-	ns
Data Hold Time (for "SDA _{IN} " Pin)		300		
Data Setup Time	t_{SD}	100	-	ns
Start Condition Setup Time (Only relevant for a repeated Start Condition)	t_{SSTART}	0.6	-	μs
Stop Condition Setup Time	t_{SSTOP}	0.6	-	μs
Rise Time for Data and Clock Pin	t_r	-	300	ns
Fall Time for Data and Clock Pin	t_f	-	300	ns
Idle Time before a New Transmission can Start	t_{IDLE}	1.3	-	μs



6. Cautions and Handling Precautions

6.1 Handling and Operating the Module

1. When the module is assembled, it should be attached to the system firmly. Do not warp or twist the module during assembly work.
2. Protect the module from physical shock or any force. In addition to damage, this may cause improper operation or damage to the module and back-light unit.
3. Note that polarizer is very fragile and could be easily damaged. Do not press or scratch the surface.
4. Do not allow drops of water or chemicals to remain on the display surface. If you have the droplets for a long time, staining and discoloration may occur.
5. If the surface of the polarizer is dirty, clean it using some absorbent cotton or soft cloth.
6. The desirable cleaners are water, IPA (Isopropyl Alcohol) or Hexane. Do not use ketene type materials (ex. Acetone), Ethyl alcohol, Toluene, Ethyl acid or Methyl chloride. It might permanent damage to the polarizer due to chemical reaction.
7. If the liquid crystal material leaks from the panel, it should be kept away from the eyes or mouth. In case of contact with hands, legs, or clothes, it must be washed away thoroughly with soap.
8. Protect the module from static, it may cause damage to the CMOS ICs.
9. Use finger-stalls with soft gloves in order to keep display clean during the incoming inspection and assembly process.
10. Do not disassemble the module.
11. Protection film for polarizer on the module shall be slowly peeled off just before use so that the electrostatic charge can be minimized.
12. Pins of I/F connector shall not be touched directly with bare hands.
13. Do not connect, disconnect the module in the "Power ON" condition.
14. Power supply should always be turned on/off by the item Power On Sequence & Power Off Sequence.

6.2 Storage and Transportation

1. Do not leave the panel in high temperature, and high humidity for a long time. It is highly recommended to store the module with temperature from 0 to 35 °C and relative humidity of less than 70%
2. Do not store the OLED module in direct sunlight.
3. The module shall be stored in a dark place. When storing the modules for a long time, be sure to adopt effective measures for protecting the modules from strong ultraviolet radiation, sunlight, or fluorescent light.
4. It is recommended that the modules should be stored under a condition where no condensation is allowed. Formation of dewdrops may cause an abnormal operation or a failure of the module. In particular, the greatest possible care should be taken to prevent any module from being operated where condensation has occurred inside.
5. This panel has its circuitry FPC on the bottom side and should be handled carefully in order not to be stressed.