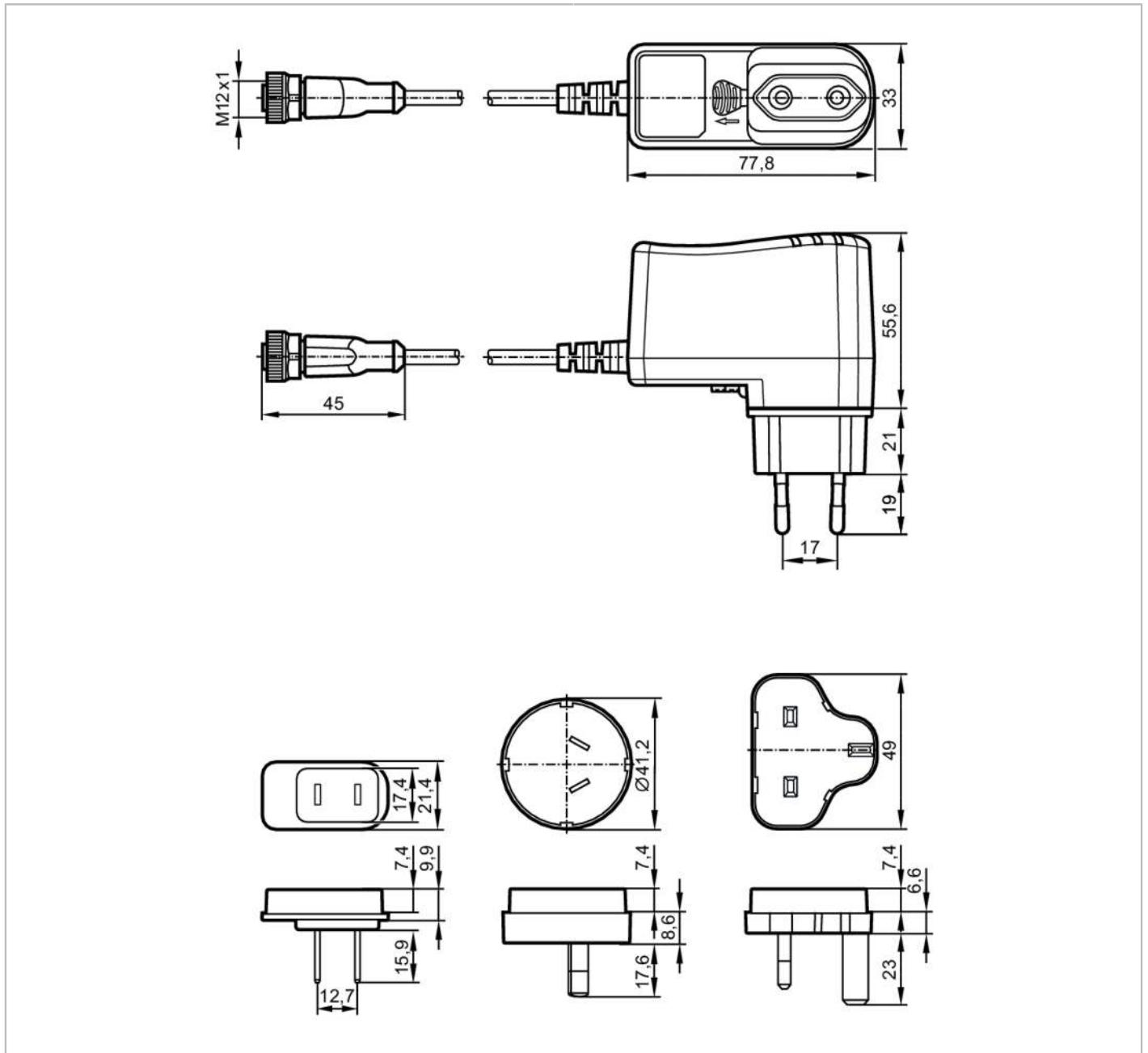


# E80121



## Plug-in power supply

Power Supply 24VDC/1.0A/ww



### Electrical data

Nominal frequency AC	[Hz]	50...60
Input voltage range AC	[V]	100...240
Output voltage DC	[V]	24
Protection class		II
Max. residual ripple	[mV]	300
Efficiency (nominal voltage 230 V AC / 50 Hz)	[%]	86.8
Input current (nominal voltage 230 V AC / 50 Hz)	[A]	0.75

# E80121



## Plug-in power supply

Power Supply 24VDC/1.0A/ww

Outputs	
Output current, total [A]	1
Operating conditions	
Ambient temperature [°C]	0...40
Protection	IP 40; (M12 connector: IP 69K)
Mechanical data	
Weight [g]	254.5
Materials	housing: plastics black
Accessories	
Items supplied	Mains adapters: 1, EU
	1, UK
	1, USA
	1, AUS
Remarks	
Pack quantity	1 pcs.
Electrical connection	
Cable: 2 m; 2 x 0.5 mm <sup>2</sup>	
Connector: 1 x M12	