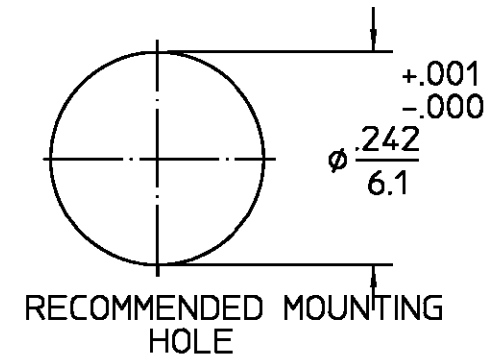


DESIGNED FOR USE WITH	.141 S/R
CABLE ENTRY DIAMETER	MINIMUM
HOUSING	.145
CONTACT	.0375

REVISIONS			
REV	DESCRIPTION	DATE	APPROVED
01 ₂	REVISED	KL 7-24-96	PCV 8/7/96
B	PER EC 0U20-0262-01	19DEC01	C. Huang



ELECTRICAL	MECHANICAL	ENVIRONMENTAL
Nominal Impedance (Ohms) <u>50</u>	Interface Dimensions <u>DESC SPEC 85072</u>	Temperature Rating <u>-65° to +125°C</u>
Frequency Range (GHz) DC to <u>18</u>	Mating Characteristics:	Vibration MIL-STD-202, Method 204, Condition D
Volt Rating (VRMS MAX) @ Sea Level <u>500</u>	Insertion (MAX Lbs) <u>3</u>	Shock MIL-STD-202, Method 213, Condition I
VSWR <u>1.02+0.005f(GHz)</u> DC to 18 GHz	Withdrawal (MIN Oz) <u>1</u>	Thermal Shock MIL-STD-202, Method 107, Condition B
Insertion Loss (dB MAX) <u>.03x√f(GHz)</u>	Force to Engage (In-Lbs MAX) <u>3</u> & Disengage (In-Lbs MAX) <u>15</u>	Moisture Resistance MIL-STD-202, Method 106
RF Leakage (dB MIN) (Interface Only, Fully Mated) <u>-(90-f(GHz))</u>	Center Contact Captivation Axial (Lbs) <u>6</u>	Corrosion - MIL-STD-202, Method 101, Condition B
Corona, 70,000 Ft (VRMS MIN) <u>375</u>	Cable Retention Axial Force (Lbs MIN) <u>30</u>	
Dielectric Withstanding Voltage (VRMS MIN) @ Sea Level <u>1500</u>	Torque (In-Oz MIN) <u>16</u>	
Contact Resistance (Milliohms MAX)	Weight (Grams)	
Center Contact <u>3.0</u>		
Outer Contact <u>2.0</u>		
Cable to Housing <u>0.5</u>		
RF High Potential @ Sea Level (VRMS MIN @ 5 MHz) <u>1000</u>		
LR.(Megohms MIN) <u>5000</u>		

COMPONENT	MATERIAL	FINISH
HOUSING MOUNTING NUT LOCKWASHER	STAINLESS STEEL PER ASTM-A484 AND ASTM- A582, TYPE 303	GOLD PLATE PER MIL-G-45204
DIELECTRIC	TFE FLUOROCARBON PER ASTM-D-1457	N/A
CENTER CONTACT	BERYLLIUM COPPER PER ASTM-B-196 OR ASTM-B-197, ALLOY C17300, CONDITION H	GOLD PLATE PER MIL-G-45204
O-RING	FLOUROSILICONE PER MIL-R- 25988, CLASS 1, TYPE 1	N/A

UNLESS OTHERWISE SPECIFIED DIMENSIONS ARE IN INCHES	DRAWN BY M YUEN DATE 12-9-87	 AMP Incorporated 140 Fourth Avenue Waltham, MA 02451-7599
FRAC. DEC. ANGLES ± 1/64 ±.005 ± 1°	CHECKED BY BAR DATE 12-10-87	
	APPD BY BAR DATE 12-10-87	

USE ASSY PROCEDURE	TITLE OSP BULKHEAD FEEDTHRU CABLE PLUG DIRECT SOLDER ATTACHMENT								
NO. A.P. <u>45-164</u> <u>408-08291</u>	<table border="1"> <tr> <td>SIZE B</td> <td>CODE IDENT NO. 26805</td> <td>4503-5022-00</td> <td>REV 01₂</td> </tr> <tr> <td>SCALE 6:1</td> <td colspan="2">SHEET 1 OF 1</td> <td></td> </tr> </table>	SIZE B	CODE IDENT NO. 26805	4503-5022-00	REV 01 ₂	SCALE 6:1	SHEET 1 OF 1		
SIZE B	CODE IDENT NO. 26805	4503-5022-00	REV 01 ₂						
SCALE 6:1	SHEET 1 OF 1								

.XXX = in
XX.X = mm (REF)