

1. ALL OF THE DIMENSIONS ARE INDICATED FOR THE CARD EJECTED EXCLUDE THE DIMENSION OF CARD LOCATION
2. KNOB STROKE 7.6mm
- ⚠ MATERIAL
  - ① FRAME : STAINLESS t=0.3
  - ② PUSHER : STAINLESS t=1
  - ③ KNOB : THERMAL PLASTIC (UL-94V0)
  - ④ ARM BAR : STAINLESS t=0.4
  - ⑤ LIFT BLADE : STAINLESS t=0.3.
- ⚠ MEMORY CARD LENGTH 85.6mm
- ⚠ ARROW MARK AT FRONT END OF LARGE KNOB (SEE 2ND PAGE FIG-1) DIM 1.6 HOLE FOR SMALL KNOB (SEE 2ND PAGE, FIG-2)
- ⚠ SEE 2ND PAGE FOR EJECTOR FRAME W/RIB.
- ⚠ SEE 2ND PAGE FOR EJECTOR FRAME W/O KNOB (HOOK); W/ GUIDE.
- ⚠ SEE 3RD PAGE FOR PCB LAYOUT.
- ⚠ SEE 2ND PAGE FOR EJECTOR USING USA HDR.
- ⚠ OBSOLETE PARTS: OBSOLETE CIS STREAMLINING PER D.RENAUD/D.SINISI

DIMENSIONS IN mm DO NOT SCALE PRINT

P/N	PART NAME	A	B	C	D	F	knob Color	Remark	
4-XXXX-2	SMALL KNOB LONG	90.2	21.3	4.6	2.3		Black	USA Cardbus HDR	
4-XXXX-1	SMALL KNOB SHORT	82.2	13.3	4.6	2.3		Black	USA Cardbus HDR	
3-XXXX-2	SMALL KNOB LONG	90.2	21.3	4.6	2.3		Blue	USA Cardbus HDR	
3-XXXX-1	SMALL KNOB SHORT	82.2	13.3	4.6	2.3		Blue	USA Cardbus HDR	
2-XXXX-1	SMALL KNOB SHORT FRAME W/ RIB	82.2	13.3	4.6	2.3		Blue	⚠	
1-XXXX-1	SMALL KNOB SHORT (Y3)	82.2	14.8	4.6	2.3		Blue	⚠	
-7	WITHOUT KNOB (HOOK)						Blue	⚠	
-6	WITHOUT KNOB					91.3	Blue		
-5	WITHOUT KNOB					83.3	Blue		
-4	LARGE KNOB LONG	90.2	21.3	8.3	2.0		Blue		
-3	LARGE KNOB SHORT	82.2	13.3	8.3	2.0		Blue		
-2	SMALL KNOB LONG	90.2	21.3	4.6	2.3		Blue		
-1	SMALL KNOB SHORT	82.2	13.3	4.6	2.3		Blue		
		DIMENSIONS							

REV	DESCRIPTION	DR	CHK	DATE
F1	REVISED PER ECO-10-000444	KK	AEG	JAN10
F	ADD P/N (PER FW00-076-96)	YU	JY	APR14 1996
E	MODIFIED (PER FW00-010-96)	YU	JY	JAN18 1996
D	MODIFIED (PER FW00-145-95)	YU	JY	DEC 1995
C	MODIFIED (PER FW00-008-95)	YU	CHEN	JAN25 1995
B	MODIFIED (PER FW00-002-95)	YU	CHEN	JAN25 1995
A1	RELEASED	YU	CHEN	JUN17 1994
LTR	REVISION RECORD	DR	CHK	DATE

© 1993 BY AMP MANUFACTURING TAIWAN LTD. ALL RIGHTS RESERVED. PRODUCTS ARE COVERED BY PATENTS AND/OR PATENTS PENDING.

**AMP** | AMP MANUFACTURING TAIWAN LTD.

(VIRE RANGE) (INSULATION DIA) (DESCRIPTION) **PCMCIA SINGLE EJECTOR ASSY F KNOB R**

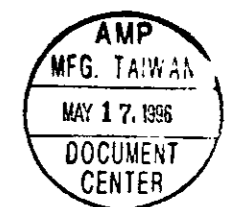
(MATERIAL) (FINISH)

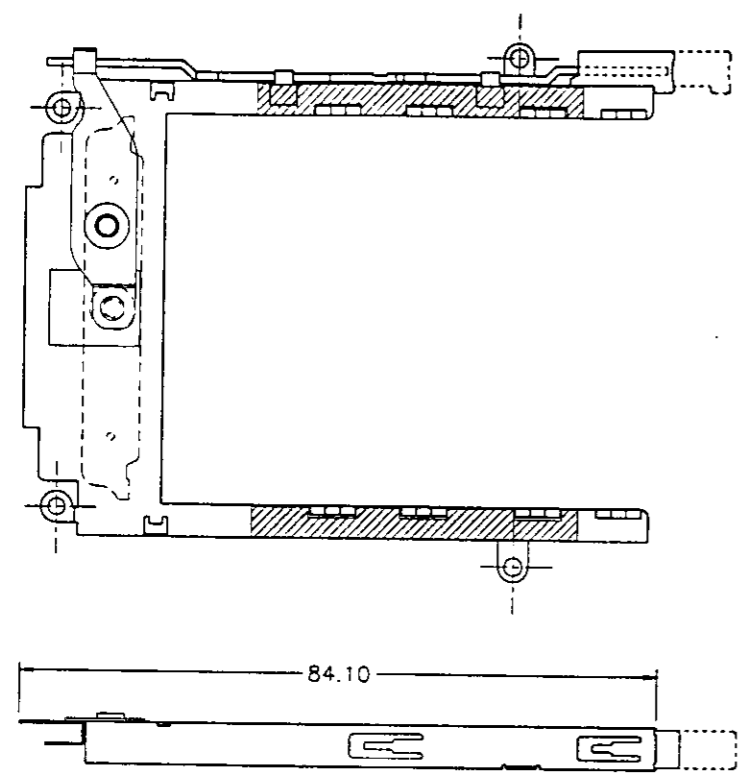
GENERAL TOLERANCE: DECIMAL: ± 0.5; ANGULAR: ± 2°

SIZE: A3 DW; (SCALE): 1:1; REV: F1; SHEET: 1/3

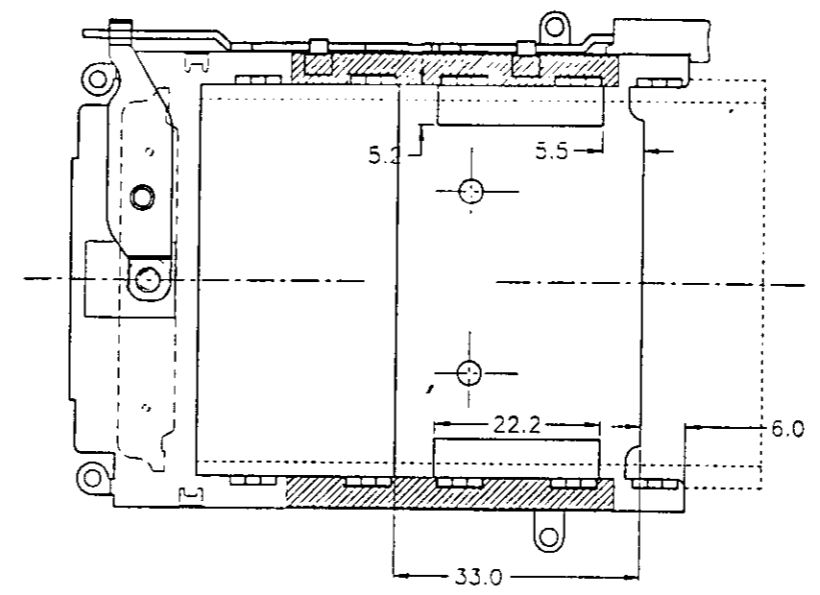
DR: ALBERT YU; APP: JACK CHANG

CHK: R. CHEN

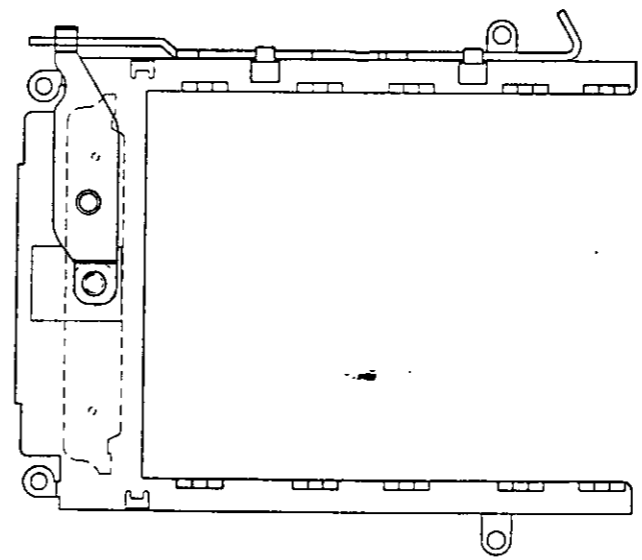




APPLIED FOR 3-11404-X & 4-11404-X SERIES.



APPLIED FOR 2-11404-1.



APPLIED FOR 0-11404-7.  $\triangle 10$   
WITHOUT KNOB; WITH HOOK; NO PLASTIC GUIDE INSERTED.

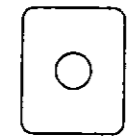


FIG-2

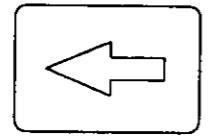
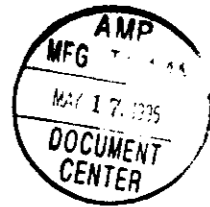


FIG-1

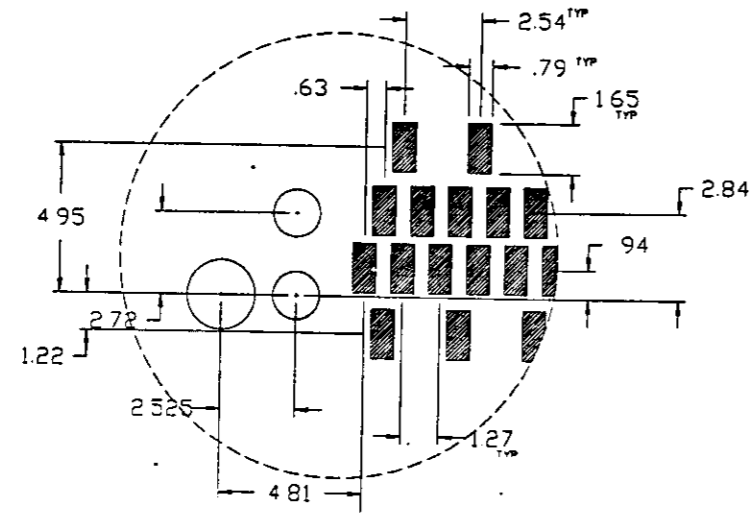
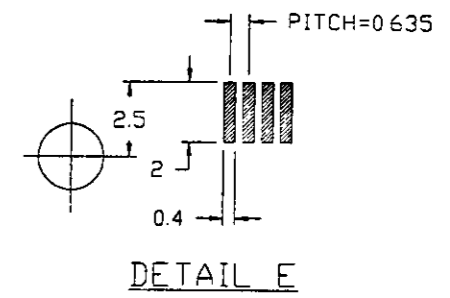
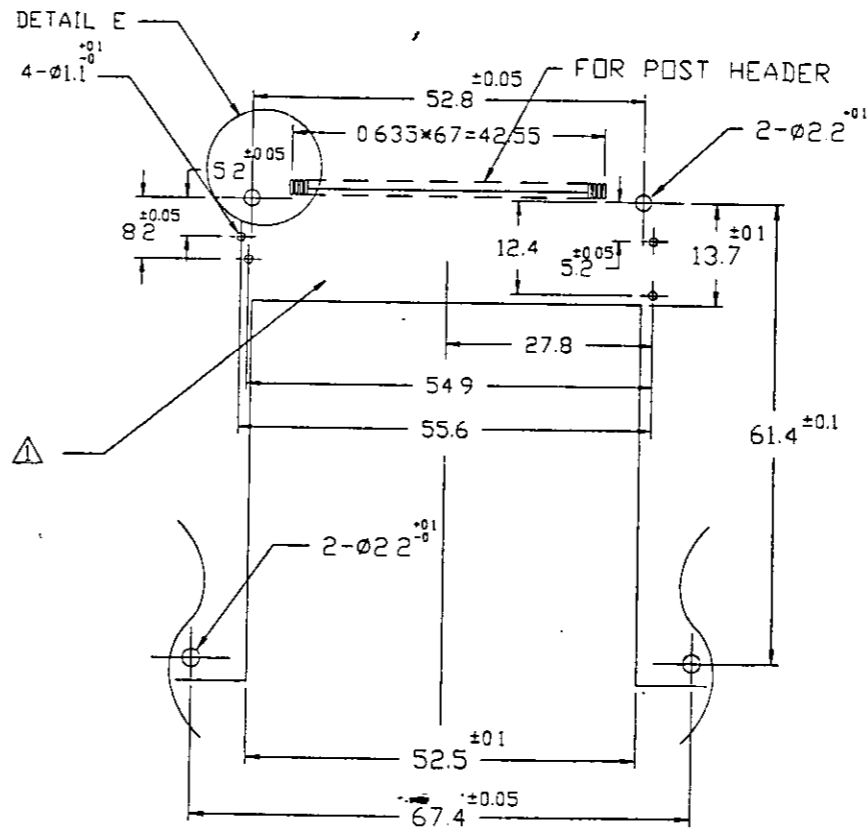
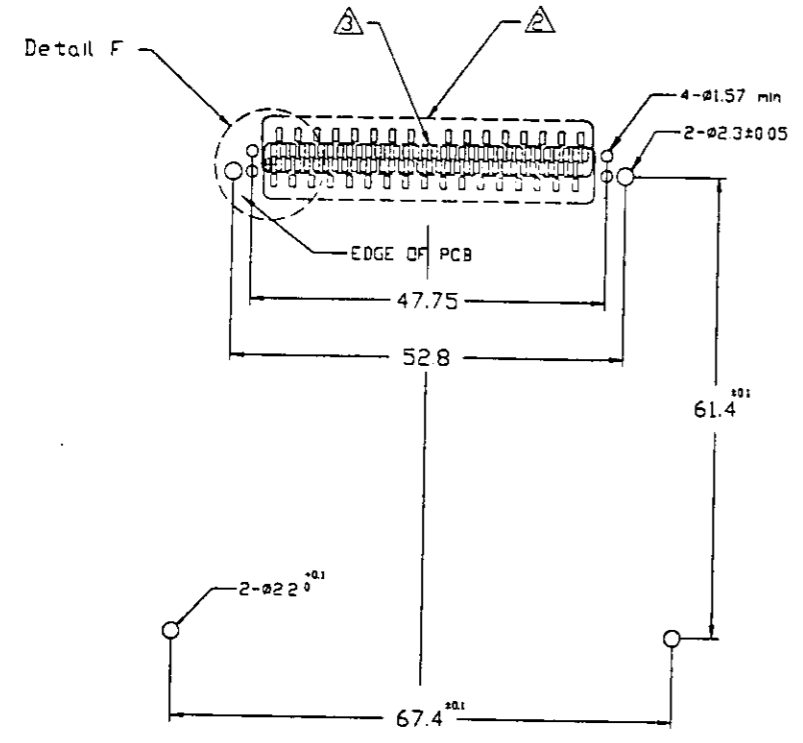


DIMENSIONS IN mm. DO NOT SCALE PRINT.

© 1993 BY AMP MANUFACTURING TAIWAN LTD. ALL RIGHTS RESERVED. PRODUCTS ARE COVERED BY PATENTS AND/OR PATENTS PENDING.				<b>AMP</b> AMP MANUFACTURING TAIWAN LTD.			
				(WIRE RANGE)		(INSULATION DIA.)	
(MATERIAL)		(FINISH)		PCMCIA			
DR. ALBERT YU CHK. ROBERT CHEN		RE. JACK CHANG APP. JACK CHANG		SINGLE EJECTOR ASSY F KNOB R GENERAL TOLERANCE: DECIMAL: ± 0.5 ANGULAR: ± 2'			
LTR. REVISION RECORD DR. CHK. DATE		SEE 1ST PAGE		SIZE: A3 (SCALE): 1:1	LOC: DW (NO.): C-11404 REV: F1 SHEET: 2/3		

(CUSTOMER DRAWING) 2.0628 2.114048

△ FOR JPN PCMCIA HDR, REFER PCB LAYOUT OF C-179034 OR C-179035  
 △ FOR USA CARDBUS HDR, REFER PCB LAYOUT OF C-146739-1  
 △ FOR USA CARDBUS HDR, REFER PCB LAYOUT OF C-146740-1



AMP  
MFG. TAIWAN  
MAY 17, 1996  
DOCUMENT  
CENTER

DIMENSIONS IN mm DO NOT SCALE PRINT.

© 1993 BY AMP MANUFACTURING TAIWAN LTD. ALL RIGHTS RESERVED. PRODUCTS ARE COVERED BY PATENTS AND/OR PATENTS PENDING.				<b>AMP</b> AMP MANUFACTURING TAIWAN LTD			
(WIRE RANGE)		(INSULATION DIA)		(DESCRIPTION)			
				PCMCIA SINGLE EJECTOR ASSY F KNOB R			
(MATERIAL)		(FINISH)		GENERAL TOLERANCE	SIZE	LDC	QND
				DECIMAL: ± 0.5	A3	DW	C-11404
DR.	RE.	CHK.	APP.	(SCALE)	REV	SHEET	
				1:1	F1	3/3	
LTR. REVISION RECORD				(CUSTOMER DRAWING) 3 OF 3 C11404C			

SEE 1ST PAGE