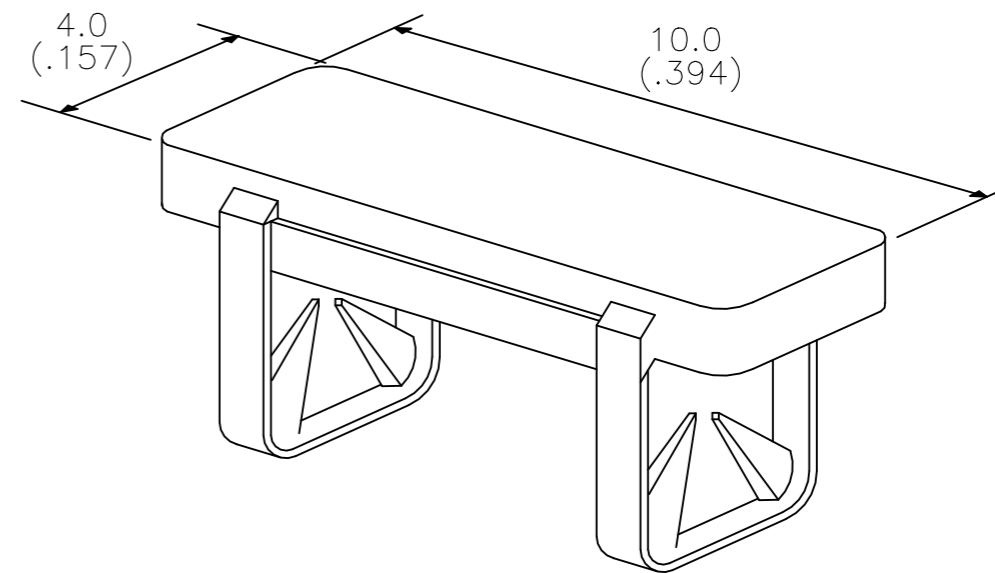
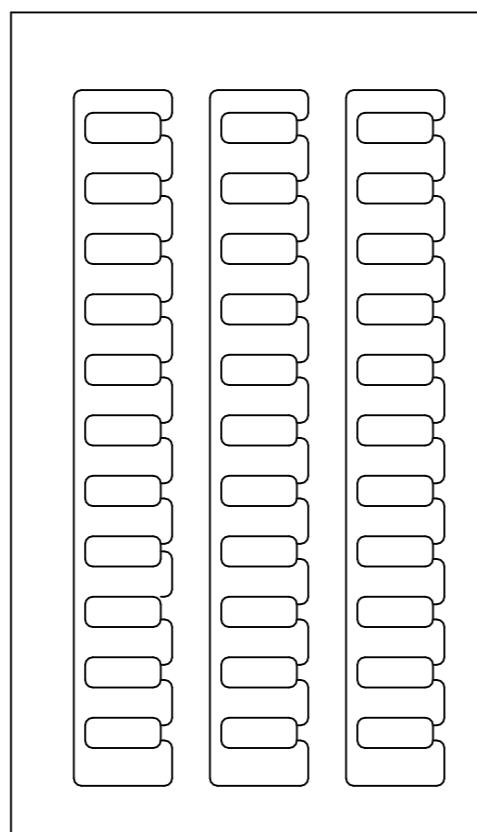


REVISIONS

P	LTR	DESCRIPTION	DATE	DWN	APVD
	1	INITIAL RELEASE	25MAR2021	AFK	LS

MARKERS SUPPLIED IN CARD FORM REPRESENTATION BELOW



Part No.	Description	Wire Section mm ²	Wire Ext. Dia		Markers per Card	Cards per Pack	Card weight g
			mm	in.			
1SNA235657R0000	TDM102	0.5 to 2.5	1 to 3.8	.039 to .150	33	22	7.46

THIS DRAWING IS A CONTROLLED DOCUMENT.		DWN AFK	25MAR2021	STE TE Connectivity															
DIMENSIONS: mm [INCHES]		CHK ALE	25MAR2021																
TOLERANCES UNLESS OTHERWISE SPECIFIED:		APVD LS	25MAR2021	NAME TDM SLIDE ON MARKER															
<table border="0"> <tr> <td>0 PLC</td> <td>± -</td> </tr> <tr> <td>1 PLC</td> <td>± -</td> </tr> <tr> <td>2 PLC</td> <td>± -</td> </tr> <tr> <td>3 PLC</td> <td>± -</td> </tr> <tr> <td>4 PLC</td> <td>± -</td> </tr> <tr> <td>ANGLES</td> <td>± -</td> </tr> </table>		0 PLC	± -	1 PLC	± -	2 PLC	± -	3 PLC	± -	4 PLC	± -	ANGLES	± -	PRODUCT SPEC -		APPLICATION SPEC -		RESTRICTED TO -	
0 PLC	± -																		
1 PLC	± -																		
2 PLC	± -																		
3 PLC	± -																		
4 PLC	± -																		
ANGLES	± -																		
MATERIAL POLYCARBONATE		FINISH -		WEIGHT 7.46g per card		SIZE A3													
CUSTOMER DRAWING				CAGE CODE 00779		DRAWING NO C-TDM_MARKER													
				SCALE NTS		SHEET 1 OF 1													
						REV 1													