

4

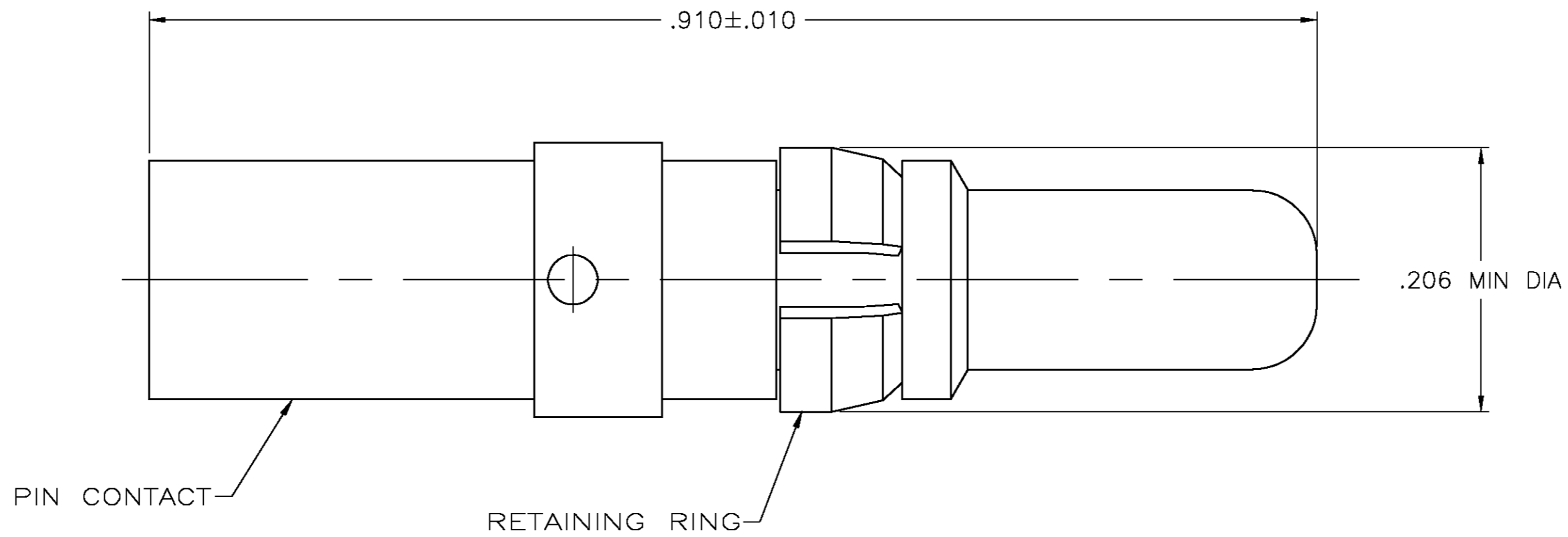
3

2

1

THIS DRAWING IS UNPUBLISHED. RELEASED FOR PUBLICATION
 © COPYRIGHT BY TYCO ELECTRONICS CORPORATION. ALL RIGHTS RESERVED.

LOC	DIST	REVISIONS					
FT	0	P	LTR	DESCRIPTION	DATE	DWN	APVD
		D		REVISED PER 0G3B-0008-04	1/12/04	SS	GS



213740-1
 PART NUMBER

- 1 BRASS.
- 2 PHOSPHOR BRONZE.
- 3 0.76 μm [.000030] MIN GOLD OVER 1.27 μm [.000050] MIN NICKEL.
- 4 2.54 μm [.000100] MIN NICKEL.

THIS DRAWING IS A CONTROLLED DOCUMENT.		DWN	01/23/92	tyco Electronics	Tyco Electronics Corporation Harrisburg, PA 17105	
DIMENSIONS: INCHES		L.SIPE	2-7-92		NAME PIN CONTACT ASSEMBLY, #10 AWG, POWER VIII, METRIMATE	
TOLERANCES UNLESS OTHERWISE SPECIFIED:		CHK		APVD		
0 PLC ± -		R.STONE		PRODUCT SPEC		
1 PLC ± -		APVD		APPLICATION SPEC		
2 PLC ± -		-		114-10014		
3 PLC ± .005		-		SIZE	CAGE CODE	DRAWING NO
4 PLC ± -		-		A2	00779	C=213740
ANGLES ± -		-		RESTRICTED TO		
MATERIAL		FINISH		WEIGHT		
PIN CONTACT: 1		PIN CONTACT: 3		-		
RETAINING RING: 2		RETAINING RING: 4		CUSTOMER DRAWING		
SCALE 10:1				SHEET 1 OF 1	REV D	

213740

A