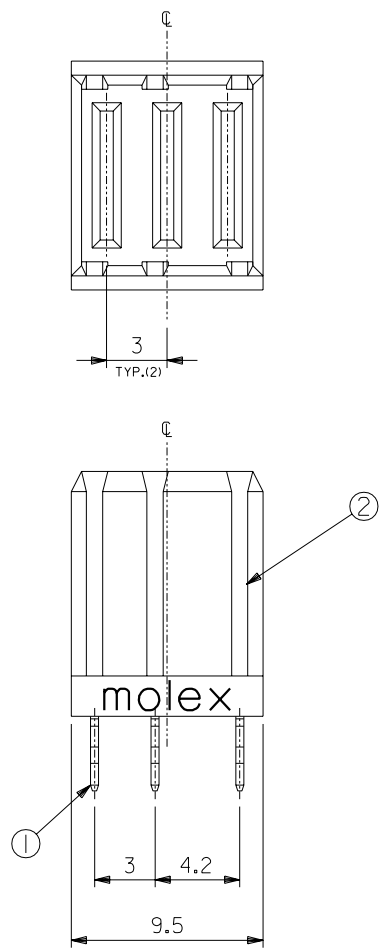
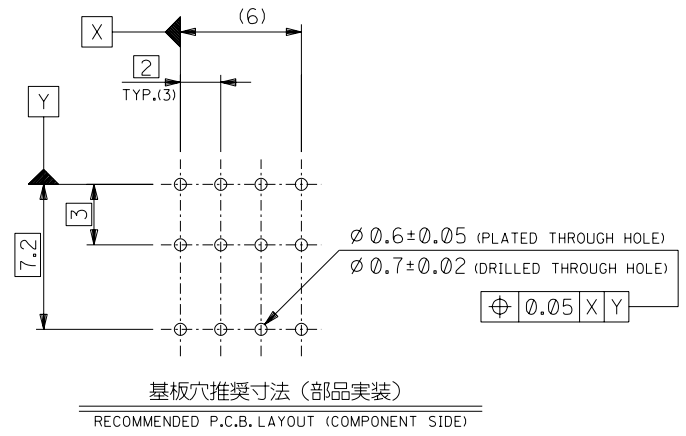


DWG. NO.  
SD-54745-004



番号 No.	部品 PART NAME	材質 MATERIAL	仕上げ FINISH
①	リセプタクル ハウジング RECEPTACLE HOUSING	液晶ポリマー、ガラス充填、自然色(白)、UL94V-0 LCP, GLASS FILLED, NATURAL(WHITE), UL94V-0	—
②	リセプタクル ターミナル RECEPTACLE TERMINAL	りん青銅 PHOSHOR BRONZE	⚠



注記  
NOTES

- ⚠ ターミナルめっき仕様  
TERMINAL PLATING  
金めっき (接点部) : 1.27 MICROMETER MIN.  
GOLD (CONTACT AREA): 1.27 MICROMETER MIN.  
錫めっき (プレスフィット部) : 0.5 MICROMETER MIN.  
TIN (PRESS-FIT AREA): 0.5 MICROMETER MIN.  
ニッケルめっき (下地めっき) : 1.3 MICROMETER MIN.  
NICKEL (UNDER PLATING): 1.3 MICROMETER MIN.
- 2. 本製品は 54745-0310 の鉛フリー品である。  
THIS PRODUCT IS LEAD FREE OF 54745-0310.

DO NOT SCALE DRAWING

EC NO. DRWN: CHK: APPR:	EC NO. DRWN: CHK: APPR:	EC NO. DRWN: CHK: APPR:	EC NO. DRWN: CHK: APPR:	EC NO. DRWN: CHK: APPR:	EC NO. DRWN: CHK: APPR:

RELEASED 04/05/2  
EC NO. J2004-4195  
DRWN: T.UENO  
CHK: M.SASAO  
APPR: M.SASAO

MATERIAL 材料	—
FINISH 仕上げ	—
WIRE RANGE 適用電線範囲	—
INS. RANGE 被覆外径	—

GENERAL TOLERANCES: (UNLESS SPECIFIED) 一般公差	10 UNDER 未満	±0.2
	10 OVER 30 UNDER 以上 未満	±0.25
	30 OVER 以上	±0.3
ANGLE 角度		±3°

SCALE 4-1	DESIGN UNITS <input checked="" type="checkbox"/> mm <input type="checkbox"/> INCH	THIRD ANGLE PROJECTION
DRAWN BY & DATE T.UENO '04/05/12	CHECKED BY & DATE M.SASAO '04/05/12	APPROVED BY & DATE M.SASAO '04/05/12
CAD FILENAME SD-54745-004.S01	MATERIAL NO. SEE TABLE	DRAWING NO. SD-54745-004

MODEL NO. 54745-0319	MATERIAL NO. 54745-0319
TITLE: "MZP" B/B CONN. RECEPTACLE POWER ASS'Y -LEAD FREE-	
MOLEX INCORPORATED	
SHEET NO. 1 OF 1	REV B

THIS DRAWING CONTAINS INFORMATION THAT IS PROPRIETARY TO MOLEX INCORPORATED AND SHOULD NOT BE USED WITHOUT WRITTEN PERMISSION.

SD-54745-004.S01