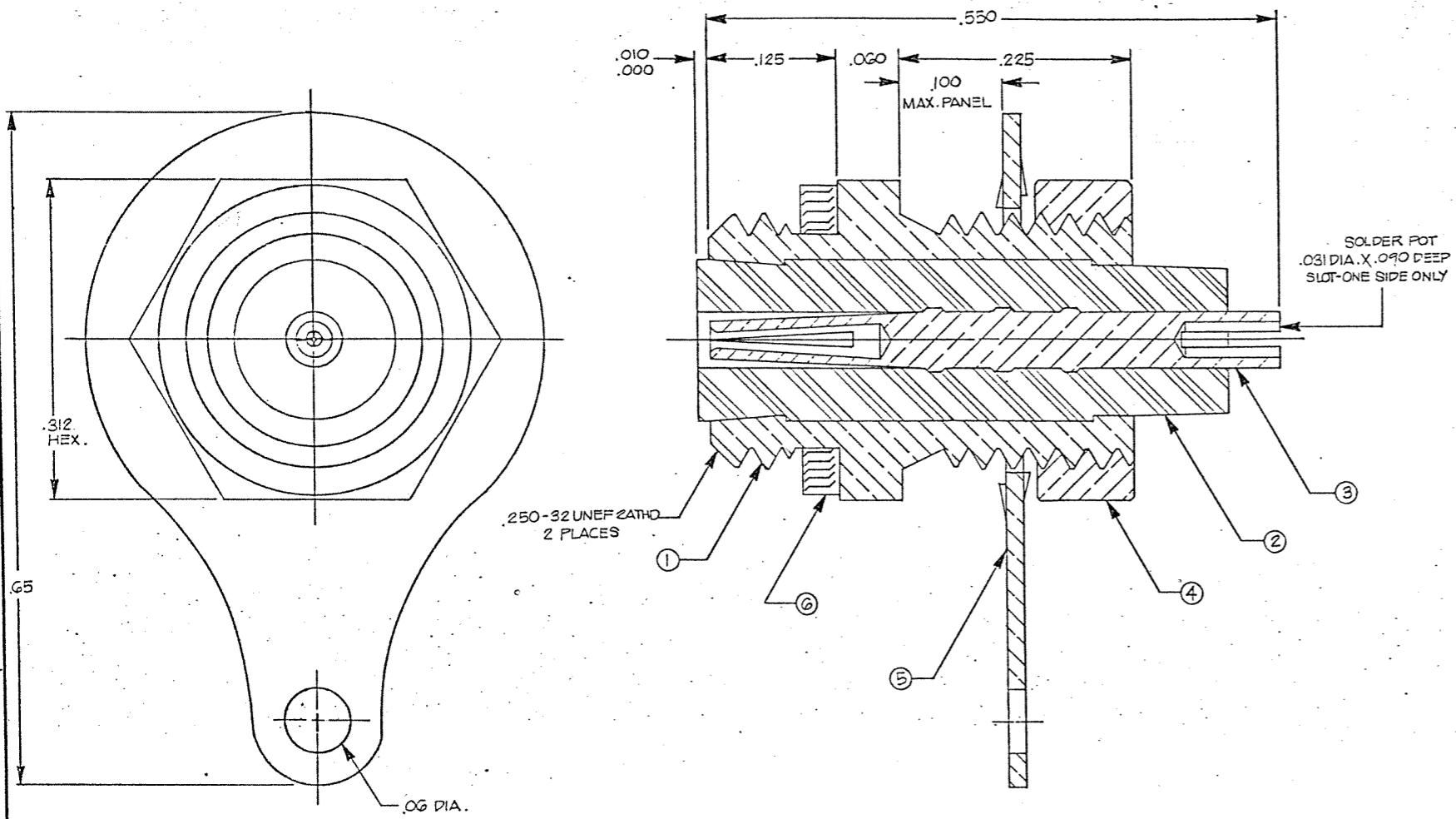


REVISIONS					
ZONE	LTR	ECN	DESCRIPTION	DATE	APPROVED
	M	26271	REVISED & REDRAWN ORIGINAL RELEASE BY M.F.M. (10-10-83)	12-10-81	<i>[Signature]</i>
	N	28910	ITEM 5 MAT'L WAS: P/ BRONZE, QQ-B-750	8/21/84	<i>[Signature]</i>
	P	39610	UPDATE REV. LETTER.	11/11/86	<i>[Signature]</i>
	R	39879	GASKET MAT'L WAS: NEOPRENE.	11-2-87	<i>[Signature]</i>



Tyco Dwg 1467949  
Micro P/N 031-0016-0001

- NOTES: (UNLESS OTHERWISE SPECIFIED)
- 1. THIS CONNECTOR MATES WITH ALL PLUGS IN S-93 SERIES (93 OHM) AS LISTED IN MALCO CATALOG.
  - 2. GOLD PLATE PER MIL-G-45204, TYPE II, GRADE C, CLASS I.
  - 3. SILVER PLATE PER QQ-S-365, TYPE II, GRADE A, .0002 MIN.

FINISH	PART OR IDENTIFYING NO.	NOMENCLATURE OR DESCRIPTION	MATERIALS	ITEM
	003-0269-0000	GASKET	SILICONE PER ZZ-R-765	6
3	003-0305-0001	SHAKEPROOF LUG	#425 BRONZE ALLOY	5
3	003-0068-0001	HEX NUT	BRASS QQ-B-626	4
2	003-0067-0002	CONTACT SOCKET	BERYLLIUM COPPER, QQ-C-330	3
	003-0071-0001	INSULATOR	TEFLON L-P-403	2
3	003-0069-0001	HOUSING	BRASS QQ-B-626	1

UNLESS OTHERWISE SPECIFIED DIMENSIONS ARE IN INCHES TOLERANCES ARE: FRACTIONS DECIMALS ANGLES ± .XX ± .02 ± .XXX ± .010		CONTRACT NO.		<b>MALCO</b> A MICRODOT COMPANY, INC. 220 PASADENA AVE., SO. PASADENA, CALIF. 91030	
MATERIAL		APPROVALS		DATE	
NOTED		DRAWN L. MATEO		12-7-81	
FINISH		CHECKED <i>[Signature]</i>		12/10/81	
NOTED		PR. ENG. <i>[Signature]</i>		12/11/81	
NEXT ASSY		APPD.		BULKHEAD RECEPTACLE PROD. CODE 931 CODE CDM	
USED ON		SIZE C CODE IDENT NO. 98278 DRAWING NO. 031-0016-0001		DRAWING NO. 031-0016-0001	
APPLICATION		These drawings and specifications are the property of Microdot Inc., are issued in strict confidence and shall not be divulged, be reproduced or copied, or used as the basis for the manufacture or sale of any article without written permission of Microdot Inc.		SCALE 10X SHEET 1 OF 1	