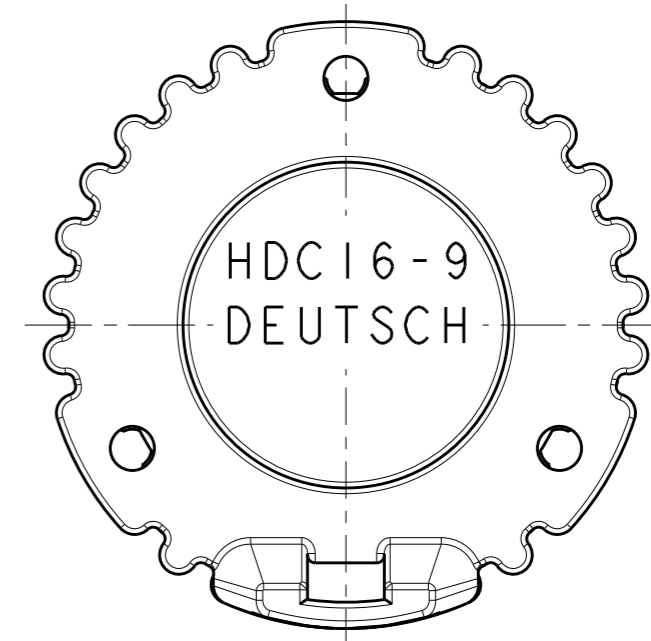
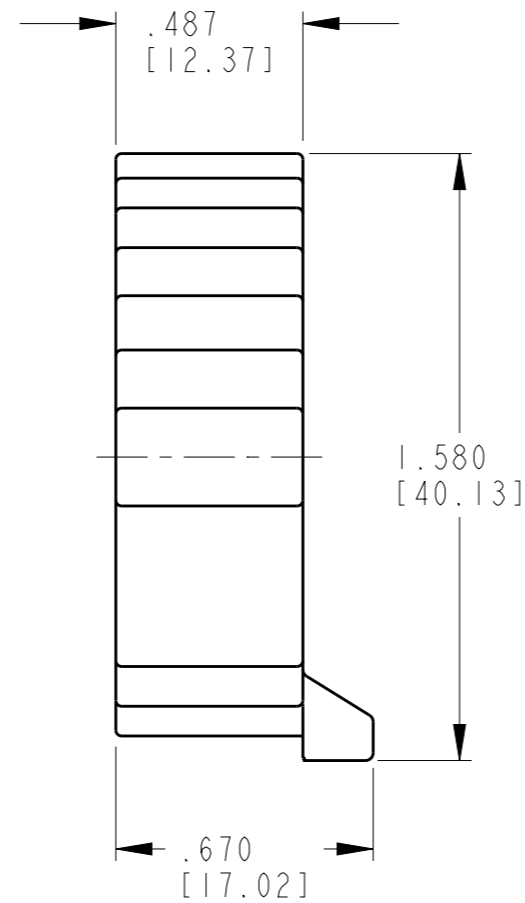
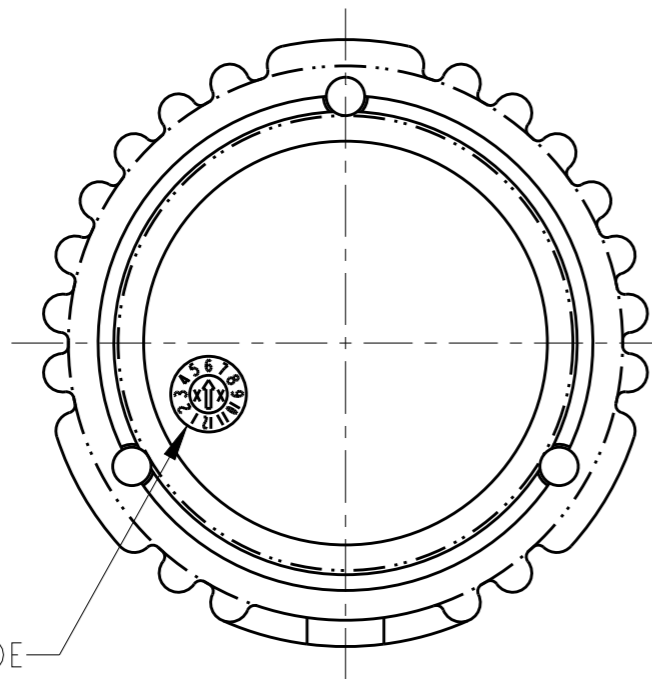
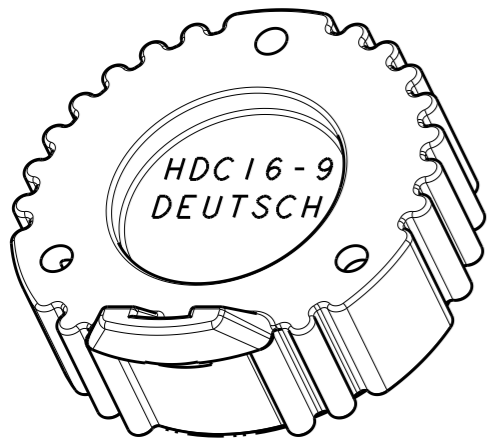


THIS DRAWING IS UNPUBLISHED  
 RELEASED FOR PUBLICATION 2016  
 © COPYRIGHT 1992 BY TE CONNECTIVITY ALL RIGHTS RESERVED.

LOC	DIST	REVISIONS			
P	LTR	DESCRIPTION	DATE	DWN	APVD
	E	REVISED PER E.O. P20888	7JUL2011	IG	RDR
	E1	REVISED PER ECO-14-008033	28MAY2014	JA	DM
	F	REVISED PER ECO-16-001565	03FEB2016	JA	DM
	F1	REVISED PER PCN :E-18-003633	08MAR2018	DD	DM



TE INTERNAL PN	DEUTSCH PN
HDC16-9	HDC16-9



HOUSING: PA66 GF10 (GRAY); O-RING: VMQ (RED)

1. THIS PART MATES WITH ALL SIZE 9, HD10 SERIES RECEPTACLE.

NOTES:

THIS DRAWING IS A CONTROLLED DOCUMENT.		DWN JOHN NORRIS 29APR1992			
DIMENSIONS: INCHES [mm]		CHK JOHN NORRIS 01MAY1992			
TOLERANCES UNLESS OTHERWISE SPECIFIED:		APVD JEFF ALBERS 04MAY1992	NAME PROTECTIVE COVER FOR SIZE 9 RECEPTACLE HD10 SERIES		
0 PLC ± 1 PLC ± 2 PLC ± 3 PLC ±.025 [0.64] 4 PLC ± ANGLES ±0°30'0"		PRODUCT SPEC	RESTRICTED TO		
MATERIAL		APPLICATION SPEC	SIZE A3	CAGE CODE 4AFU8	DRAWING NO HDC16-9
FINISH		WEIGHT 9.43g	SCALE 2:1		SHEET 1
		Customer Drawing	REV F1		