

6

5

4

3

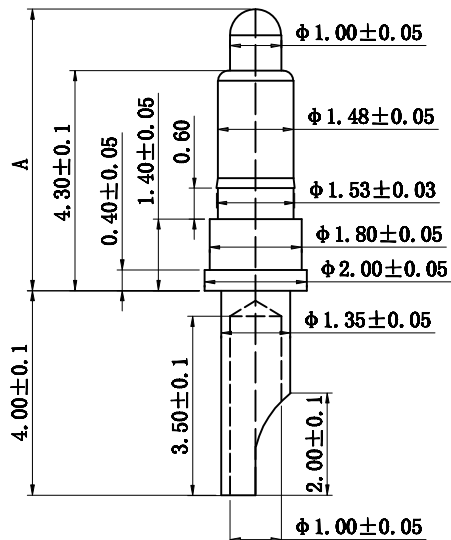
2

1

APPROVED: _____

DATE: _____ TITLE: _____

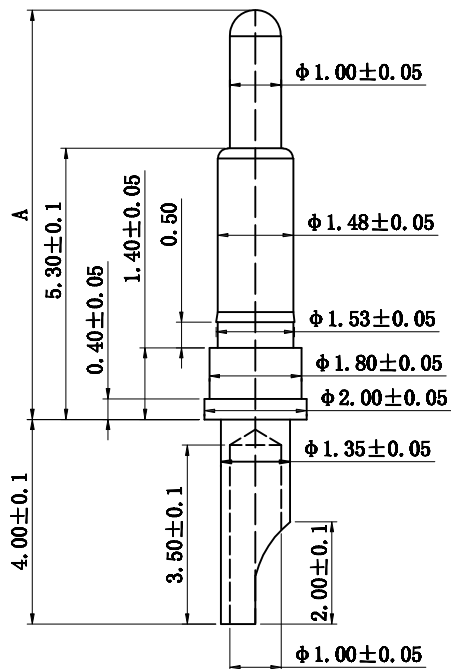
Rev	AWO #	Description	Date	Appr
-		RELEASED	5/24/19	



ADAM P/N	Initial Height
PH-MVS-4355	5.5mm
PH-MVS-4360	6.0mm

Working Stroke	Spring Force
1.0mm	70g±15gf

Rated Current	Rated Voltage
3A Max	12V



ADAM P/N	Initial Height
PH-MVS-5365	6.5mm
PH-MVS-5370	7.0mm
PH-MVS-5375	7.5mm
PH-MVS-5380	8.0mm

Working Stroke	Spring Force
1.0mm	70g±15gf

Rated Current	Rated Voltage
3A Max	12V

SPECIFICATIONS:

Material:
 Contact: Brass, Gold plated
 Contact solder area: Brass, Gold plated
 Spring: SUS304
 Electrical:
 Rated Voltage (Per Contact): 12 Volts
 Rated Current (Per Contact): 3 A Max
 Contact resistance: 20 mohms max

Mechanical:
 Working Stroke&Force: 1.0mm (Per Contact): 70±15gf
 Durability: 20,000 Cycles Min
 Temperature Rating:
 Operating temperature: -30°C to +85°C
 Environmental:
 Lead free, RoHS compliant.



UNLESS OTHERWISE SPECIFIED
 ALL DIMENSIONS ARE MILLIMETERS
 TOLERANCES: EXCEPT AS NOTED
 MM HOLES
 .X ± .25
 .XX ± .15 ∅.XX ± .15
 .XXX ± .05

ADAM TECH
INTERCONNECTS
 909 Rahway Avenue,
 Union, NJ 07083
 Phone: 908-687-5000
 Fax: 908-687-5710

APPROVALS		DATE
DRAWN	LH	5/24/19
CHECKED	AY1	5/24/19
APPROVED		

TITLE SOLDER CUP SPRING LOADED PIN, STRAIGHT		
SIZE X	PART NO. PH-MVS-XXXX	REV. -
REF: S00185C	SCALE: NTS	SHEET 1 OF 1

6

5

4

3

2

1