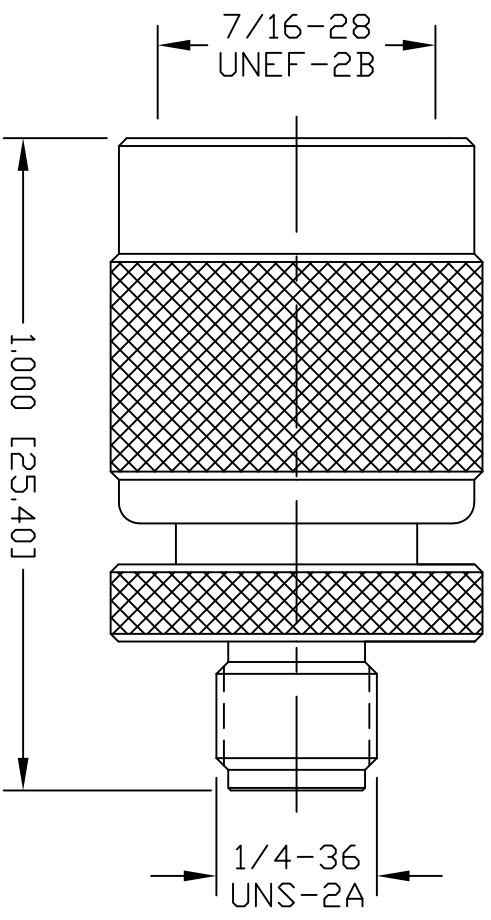


PART NO.		RSA-3472	
REV	DESCRIPTION	DWN	DATE
A	UPDATED DWG FORMAT AND SPECS	CZS	12/23/20
		APPROVED	JDMc



SPECIFICATIONS:

IMPEDANCE: 50 Ohms
 INTERFACE: Per MIL-STD-348
 FREQUENCY RANGE: 0-11 GHz
 VSWR:
 0-5 GHz <1:1.1
 5-9 GHz <1:1.3
 9-12 GHz <1:1.45
 INSERTION LOSS: -0.1 dB Max 0-7 GHz
 WORKING VOLTAGE: 375 VRMS @ sea level
 TEMPERATURE RANGE: -65°C TO 85°C
 INSULATION RESISTANCE: 5000 MΩ min.
 RF LEAKAGE: N/A
 RF HIGH POTENTIAL: 1k VRMS @ 5~7.5 MHz
 CONNECTOR DURABILITY: 500 Cycles Min.
 CONNECTOR REPEATABILITY: 1L < -0.1 dB

1 SHELL	1 BRASS	NICKEL
2 BODY	1 BRASS	NICKEL
3 INSULATOR	1 PTFE	NATURAL
4 PIN/CONTACT	1 PHOSPHOR BRONZE	GOLD
5 GASKET	1 SILICONE	RED
6 RETAINING RING	1 BRASS	NICKEL
7 BUSHING	1 DELRIN	WHITE
8 WASHER	1 BRASS	NICKEL
# DESCRIPTION	QTY	MATERIAL FINISH

CUSTOMER OUTLINE DRAWING ALL DIMENSIONS ARE REFERENCE ONLY	UNLESS OTHERWISE SPECIFIED: DIMENSIONS ARE IN INCHES AND [MILLIMETERS]
DRAWN C. ZUNIGA	12/23/20
CHECKED JDM	
DATE 11/06/03	

ROHS COMPLIANT

PROPRIETARY AND CONFIDENTIAL
 THIS DRAWING CONTAINS
 INFORMATION PROPRIETARY TO
 RF INDUSTRIES. ANY
 UNAUTHORIZED USE OF THIS
 DRAWING IS EXPRESSLY
 PROHIBITED WITHOUT WRITTEN
 PERMISSION FROM RF
 INDUSTRIES. ANY VIOLATION IS
 PUNISHABLE UNDER U.S.
 COPYRIGHT LAWS.

RF Industries
 DIVISION OF RF INDUSTRIES, LTD. (858) 549-6345 FAX

7610 MIRAMAR RD.
 SAN DIEGO, CA 92126
 (858) 549-6340

TNC PLUG TO SMA JACK ADAPTER

CABLE GROUP DWG # **RSA-3472**

FORMAT SCALE CONTROL # SHEET 1 OF 1

A N/A 000000