

# KENDALL HOWARD ®

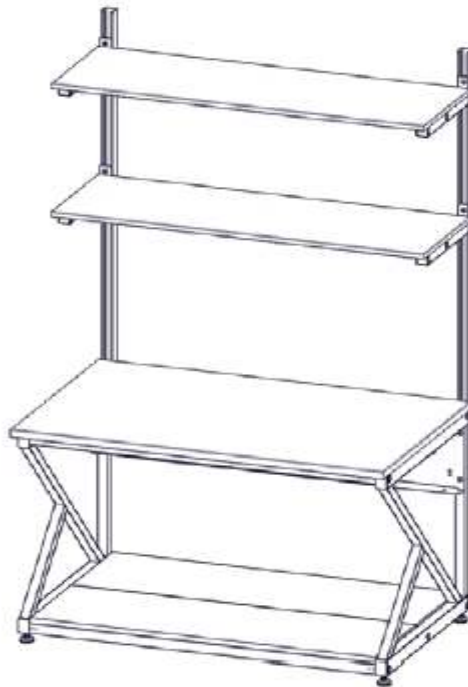
The Answer is Yes! What's the Question?™

## PERFORMANCE 100 SERIES® LAN STATION

### Installation Instructions

Part numbers:

Color	24"	48"	72"	96"
African Mahogany	5000-3-104-24	5000-3-104-48	5000-3-104-72	5000-3-104-96
Folkstone	5000-3-100-24	5000-3-100-48	5000-3-100-72	5000-3-100-96



For Your Safety

Read and understand the entire manual before installing

# TABLE OF CONTENTS

Support .....	2
Disclaimer .....	2
Dimensional Drawing.....	3
Specifications .....	3
Tools Needed:.....	3
Component Identification.....	4
Part Number Identification .....	5
Installation Instructions .....	6
Installation Instructions (Continued) .....	7
Installation Instructions (Continued) .....	8
Installation Instructions (Continued) .....	9
Warranty.....	10

## Support

Support is available through the following methods:

**By Phone** from 8:00 AM to 5:00 PM CST. 651.213.1333

**By Email** [customerservice@kendallhoward.com](mailto:customerservice@kendallhoward.com)

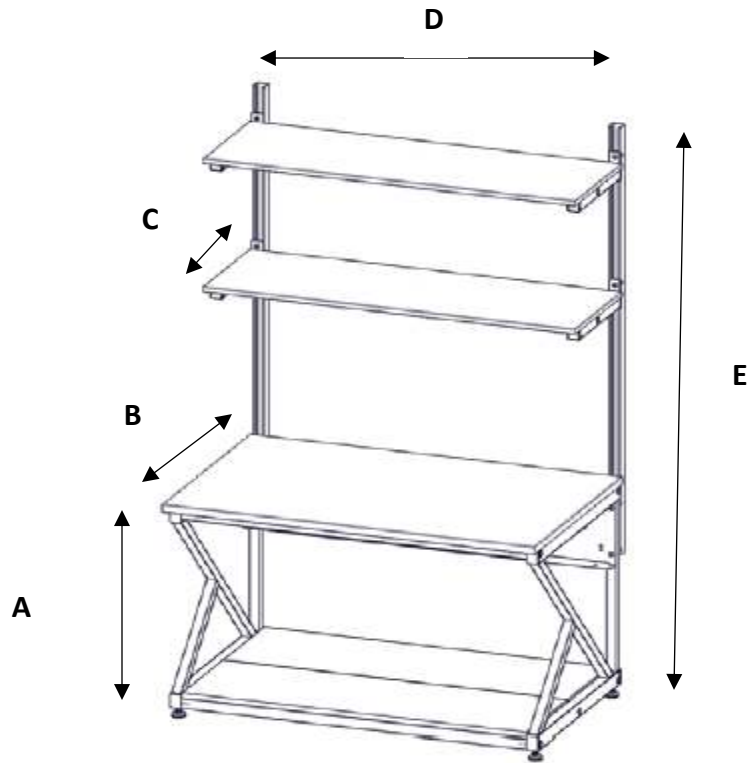
**By Mail** 10152 Liberty Lane, Chisago City, MN 55013

**By Web** [www.kendallhoward.com](http://www.kendallhoward.com)

## Disclaimer

DISCLAIMER: Kendall Howard LLC. endeavors to make this manual accurate and complete. However, Kendall Howard LLC makes no representations or warranties of any kind, expressed or implied, about whether the use of products contained herein would infringe any rights or the correctness, accuracy or reliability of the information contained herein or that said information covers all details, conditions, or variations. The information herein does not provide for every possible contingency in connection with the installation or use of the product(s). The information contained in this document is subject to change without notice or obligation. Kendall Howard LLC assumes no responsibility for the accuracy, completeness or reliability of the information contained in this document. Any reliance placed on the information is therefore strictly at your own risk.

## Dimensional Drawing



## Specifications

Dimensions	A	B	C	D	E	Weight
24" Workbench	30"	30"	16"	24"	78.5"	113 lbs.
48" Workbench	30"	30"	16"	48"	78.5"	150 lbs.
72" Workbench	30"	30"	16"	72"	78.5"	235 lbs.
96" Workbench	30"	30"	16"	96"	78.5"	296 lbs.

## Tools Needed:

Phillips screwdriver, T-Handled Wrench, Cordless drill



# Component Identification

## What's Included?

Left Upper Support (2)



Left Upper Support (2)



Upper (2) / Lower Shelves (1)



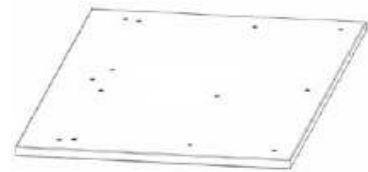
Left Leg (1)



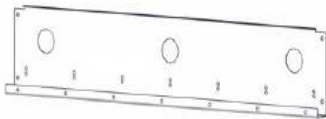
Right Leg (1)



Work Surface (1)



Back Plate (1)



Leg Leveler (4)



Upper Shelf Channel (2)



1 1/2" Bolt (18)



2 1/2" Bolt (4)



Channel Nut (8)



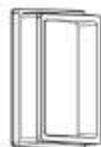
1/4-20 Screw (12-30)



1 1/2" x 1 1/2" End Cap (4)



1 1/2" x 2" End Cap (4)



3/4" End Cap (16)



Cross Bars (6)



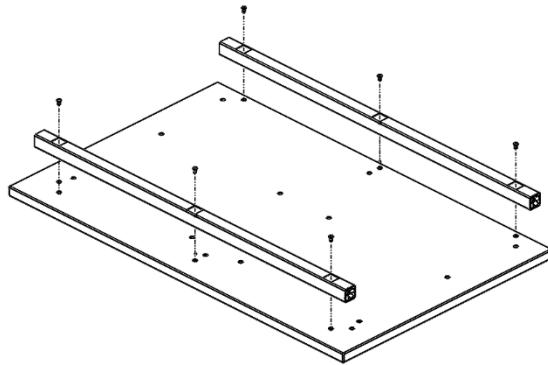
## Part Number Identification

<b>Part Description</b>	<b>24"</b>	<b>48"</b>	<b>72"</b>	<b>96"</b>
Worksurface - African Mahogany	KH-2269 (1)	KH-2266 (1)	KH-2272 (1)	KH-2275 (1)
Worksurface - Folkstone	KH-2214 (1)	KH-2211 (1)	KH-2218 (1)	KH-2221 (1)
Left leg	KH-2100 (1)	KH-2100 (1)	KH-2100 (1)	KH-2100 (1)
Right Leg	KH-2101 (1)	KH-2101 (1)	KH-2101 (1)	KH-2101 (1)
Back Plate	KH-2051 (1)	KH-2050 (1)	KH-2052 (1)	KH-2053 (1)
Leg Leveler	CP-1007 (4)	CP-1007 (4)	CP-1007 (4)	CP-1007 (4)
Cross Bars	A-2641 (6)	A-2642 (6)	A-2643 (6)	A-2644 (6)
1 1/2" Bolt	HW-BHS-001 (18)	HW-BHS-001 (18)	HW-BHS-001 (18)	HW-BHS-001 (18)
2 1/2" Bolt	HW-BHS-003 (4)	HW-BHS-003 (4)	HW-BHS-003 (4)	HW-BHS-003 (4)
Channel Nuts	HW-CN-001 (8)	HW-CN-001 (8)	HW-CN-001 (8)	HW-CN-001 (8)
1/4-20 Screw	HW-PHS-006 (12)	HW-PHS-006 (18)	HW-PHS-006 (24)	HW-PHS-006 (30)
1 1/2" X 1 1/2" End Cap	CP-1008 (4)	CP-1008 (4)	CP-1008 (4)	CP-1008 (4)
1 1/2" x 2" End Caps	CP-1004 (4)	CP-1004 (4)	CP-1004 (4)	CP-1004 (4)
3/4" End Caps	CP-1009 (16)	CP-1009 (16)	CP-1009 (16)	CP-1009 (16)
Upper Shelf Channel	KH-2008 (2)	KH-2008 (2)	KH-2008 (2)	KH-2008 (2)
Left Upper Support	KH-2005 (2)	KH-2005 (2)	KH-2005 (2)	KH-2005 (2)
Right Upper Support	KH-2006 (2)	KH-2006 (2)	KH-2006 (2)	KH-2006 (2)
Upper Shelves - African Mahogany	KH-2268 (2)	KH-2265 (2)	KH-2271 (2)	KH-2274 (2)
Upper Shelves - Folkstone	KH-2213 (2)	KH-2210 (2)	KH-2217 (2)	KH-2220 (2)
Lower Shelf - African Mahogany	KH-2270 (1)	KH-2267 (1)	KH-2273 (1)	KH-2276 (1)
Lower Shelf - Folkstone	KH-2215 (1)	KH-2212 (1)	KH-2219 (1)	KH-2222 (1)

# Installation Instructions

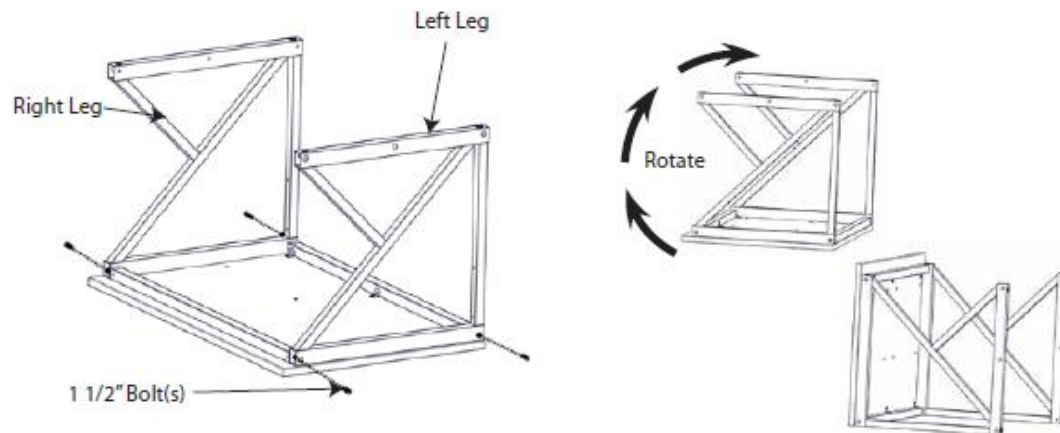
## Step 1:

Remove all components from the crate. Place the worksurface on a sturdy working area with the screw holes facing up. Locate two cross bars and the  $\frac{1}{4}$ -20 screws. Install the screws as shown below.



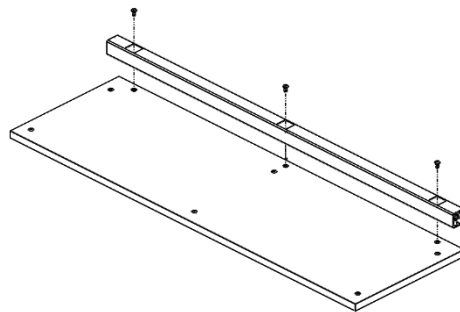
## Step 2:

Locate the left leg, right leg and the  $1\frac{1}{2}$ " bolts. Install the bolts through the legs into the cross bars as shown. Rotate the table on to the back surface.



## Step 3:

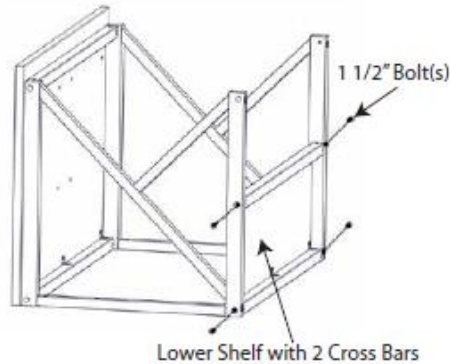
Locate two cross bars and the lower shelf. Attach the cross bars to the lower shelf with the  $\frac{1}{4}$ -20 screws.



## Installation Instructions (Continued)

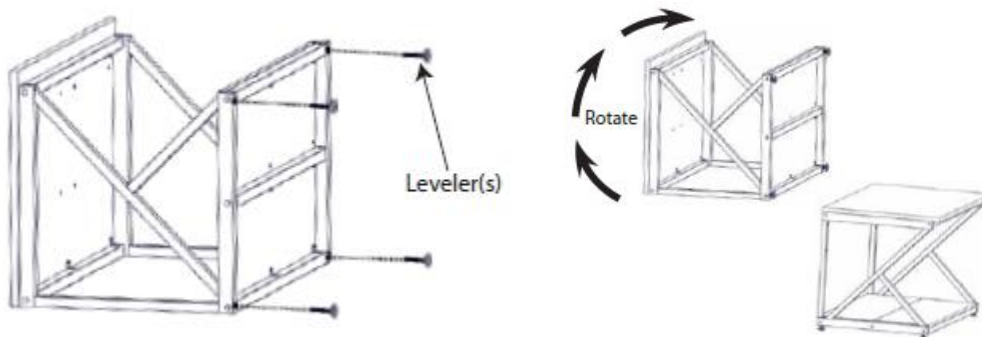
### Step 4:

Attach the lower shelf assembly to the bottom of the workbench with the 1 1/2" bolts.



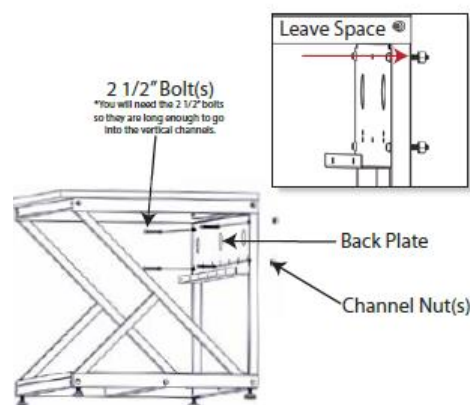
### Step 5:

Install the four leg levelers to the bottom of the workbench. If the optional castors were purchased, install the castors instead of leg levelers. Rotate the workbench on to the levelers.



### Step 6:

Locate the back panel, four 2 1/2" and four channel nuts. Align the back panel with the pre drilled mounting holes on the rear LAN station legs, loosely install the 2 1/2" bolts through the back panel.



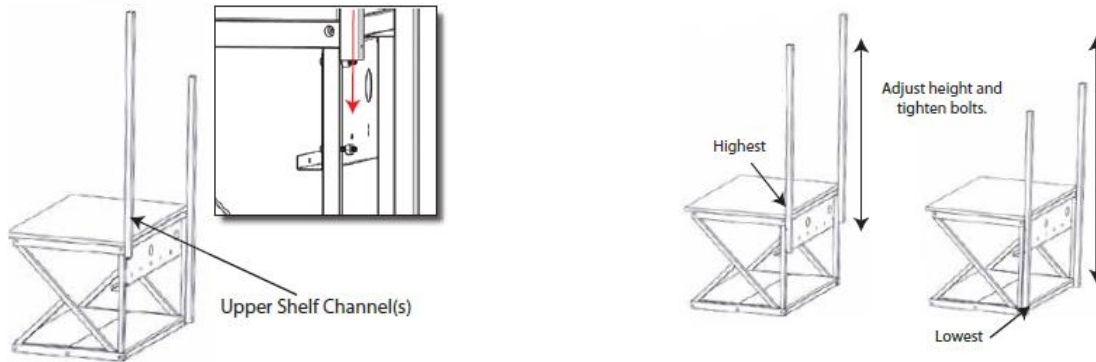
Note: The channel nut teeth should always face towards the bolt head.



## Installation Instructions (Continued)

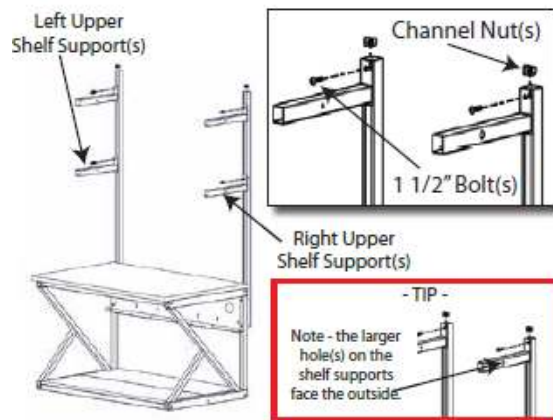
### Step 7:

Locate the upper shelf channels and slide them over the channel nuts as shown below. Adjust the height and fully tighten the bolts.



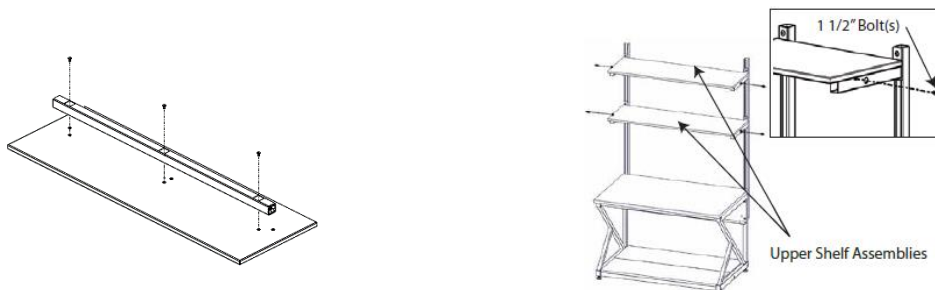
### Step 8:

Locate the four upper shelf supports, four 1 1/2" bolts and four channel nuts. Install the 1 1/2" bolt through the top mounting holes of the upper shelf supports, loosely install the channel nuts. Note that the larger holes on the shelf supports face outward. Slide the shelf supports into the upper shelf channels.



### Step 9:

Locate the upper shelves, cross bars, and 1/4-20 screws. Install the 1/4-20 into the shelves as shown below. Locate four 1 1/2" bolts and install through the upper shelf mounts and into the cross bar. Adjust shelf assembly to the desired height.

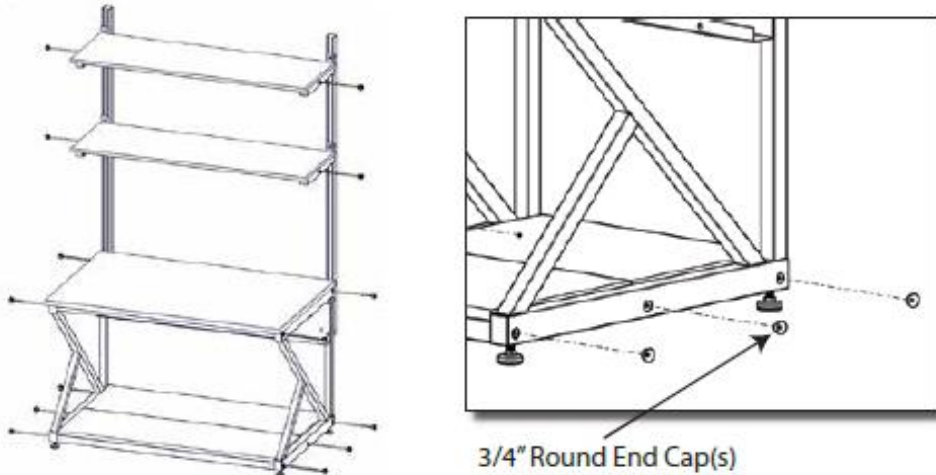




## Installation Instructions (Continued)

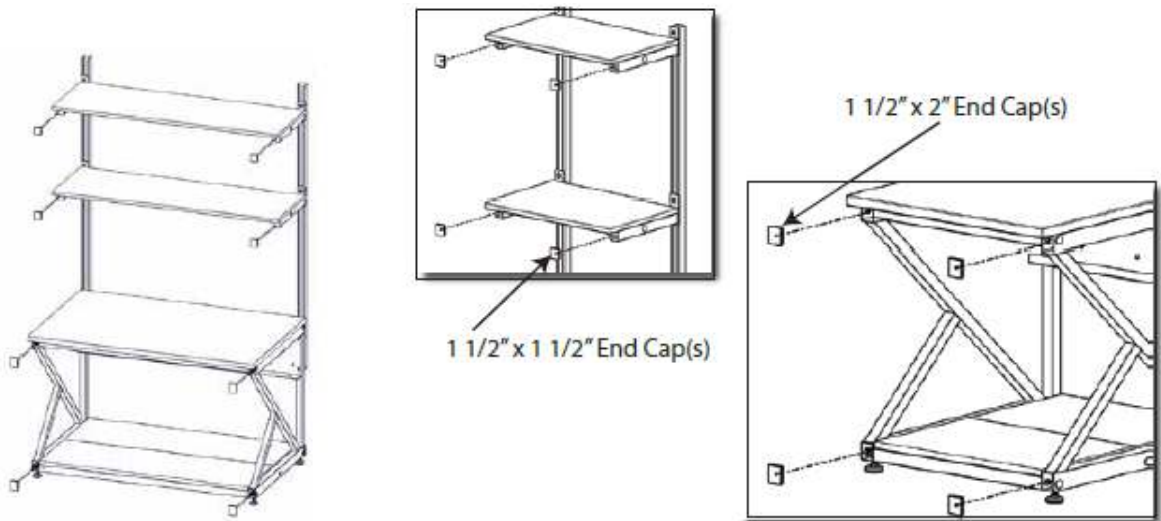
### Step 10:

Locate the  $\frac{3}{4}$ " round end caps. Install end caps in the locations shown below.



### Step 11:

Locate the  $1\frac{1}{2}$  x  $1\frac{1}{2}$ " square and  $1\frac{1}{2}$ " x 2" rectangle end caps. Install end caps in the locations shown below.



# Warranty

**GENERAL:** Kendall Howard offers all users of our products the following Limited Warranty against defects in material and workmanship. Please read your Warranty carefully. This Warranty sets forth our responsibilities in the unlikely event of defect and tells you how to obtain resolution.

**TERMS OF WARRANTY:** Kendall Howard products are warranted to be free of defects in material and workmanship. If any part or portion of the Kendall Howard product fails to conform to the Warranty, Kendall Howard, at its option, will furnish new or factory remanufactured products for repair or replacement of that part.

**WARRANTY EXTENDS TO FIRST PURCHASER FOR USE, NON-TRANSFERABLE:** This Warranty is extended to the first person, firm, association, or corporation for whom the Kendall Howard product specified herein is originally sold for use in the United States (the "User"). This Warranty is not transferable or assignable without the prior written permission of Kendall Howard.

**ASSIGNMENT OF WARRANTIES:** Kendall Howard assigns to User any warranties which are made by manufacturers and suppliers of components of the Kendall Howard product and which are assignable, but Kendall Howard makes NO REPRESENTATIONS as to the effectiveness or extent of such warranties, assumes NO RESPONSIBILITY for any matters which may be warranted by such manufacturers or suppliers and extends no coverage under this Warranty to such components.

**DRAWINGS, DESCRIPTIONS:** Kendall Howard warrants for the period and on the terms of the Warranty set forth herein that the Kendall Howard product will conform to the descriptions contained in Kendall Howard final invoices, orders, proposals (as modified) and other Kendall Howard descriptive documents ("Descriptions"). Kendall Howard does not control the use of any Kendall Howard product. Accordingly, it is understood that the Descriptions are NOT WARRANTIES OF PERFORMANCE and NOT WARRANTIES OF FITNESS FOR A PARTICULAR PURPOSE.

**WARRANTY CLAIMS PROCEDURE:** Within a reasonable time, but in no case to exceed thirty (30) days, after User's discovery of a defect, User shall contact Kendall Howard. Subject to the limitations specified herein, a Kendall Howard customer service representative will repair or replace the non-conforming Kendall Howard product warranted hereunder, without charge for materials. User will not be charged for labor if performed within thirty (30) days of product purchase. In all other instances, User will be charged for labor performed at Kendall Howard's then current rates. Kendall Howard shall assume shipping costs for replacement products and return of the defective product to Kendall Howard. Warranty coverage will be extended only after Kendall Howard inspection determines there is a defect as claimed and shows no signs of treatment or use which would void the coverage of this Warranty.

**WARRANTY PERFORMANCE OF COMPONENT MANUFACTURERS:** It is Kendall Howard's practice, consistent with its desire to remedy Warranty defects in the most prompt and effective manner possible, to cooperate with and utilize the services of component manufacturers and their authorized representatives in the performance of work to correct defects in Kendall Howard components. Accordingly, Kendall Howard may utilize third parties in the performance of Warranty work, including repair or replacement hereunder, where, in Kendall Howard's opinion, such work can be performed in less time, and with less expense.

**ITEMS NOT COVERED BY WARRANTY:** THIS WARRANTY DOES NOT COVER DAMAGE OR DEFECT CAUSED BY misuse, improper application, wrong or inadequate electrical current or connection, negligence, inappropriate on site operating conditions, repair by non-Kendall Howard designated personnel, accident in transit, tampering, alterations, a change in location or operating use, exposure to the elements, Acts of God, theft or installation contrary to Kendall Howard's recommendations or specifications, or in any event if the Kendall Howard serial number has been altered, defaced, or removed. THIS WARRANTY DOES NOT COVER installation costs, external circuit breaker resetting or maintenance or service items and further, except as may be specifically provided for herein, does NOT include labor or shipping costs arising from the repair or replacement of the Kendall Howard product, or any part thereof, or charges to remove same from any premises of User. THIS WARRANTY IS VOID if User alters the product in any way.

**LIMITATIONS:** THIS WARRANTY IS IN LIEU OF AND EXCLUDES ALL OTHER WARRANTIES, EXPRESS OR IMPLIED, INCLUDING MERCHANTABILITY AND FITNESS FOR A PARTICULAR PURPOSE. USER'S SOLE AND EXCLUSIVE REMEDY IS REPAIR OR REPLACEMENT OF THE KENDALL HOWARD PRODUCT AS SET FORTH HEREIN. IF USER'S REMEDY IS DEEMED TO FAIL OF ITS ESSENTIAL PURPOSE BY A COURT OF COMPETENT JURISDICTION, KENDALL HOWARD'S RESPONSIBILITY FOR PROPERTY LOSS OR DAMAGE SHALL NOT EXCEED ONE TIMES THE NET PRODUCT PURCHASE PRICE. IN NO EVENT SHALL KENDALL HOWARD ASSUME ANY LIABILITY FOR INDIRECT, SPECIAL, INCIDENTAL, EXEMPLARY OR CONSEQUENTIAL DAMAGES OF ANY KIND WHATSOEVER, INCLUDING WITHOUT LIMITATION LOST PROFITS, BUSINESS INTERRUPTION OR LOSS OF DATA, WHETHER ANY CLAIM IS BASED UPON THEORIES OR CONTRACT, NEGLIGENCE, STRICT LIABILITY, TORT, OR OTHERWISE.

**MISCELLANEOUS:** NO SALESPERSON, EMPLOYEE OR AGENT OF KENDALL HOWARD IS AUTHORIZED TO ADD TO OR VARY THE TERMS OF THIS WARRANTY. Warranty terms may be modified, if at all, only in writing signed by a Kendall Howard officer. This Warranty is effective as of the date of Kendall Howard receipt of full payment and supersedes all previous warranties Kendall Howard reserves the right to supplement or change the terms of this Warranty in any subsequent warranty offering to User or others. If any provision of this Warranty should be or becomes invalid and/or unenforceable during the warranty period, the remaining terms and provisions shall continue in full force and effect. User must complete the attached User Information Card and forward it to Kendall Howard within thirty (30) days of receipt of the Kendall Howard product. This Warranty is given in and performance hereunder is to be construed under the laws of the State of Nebraska. This Warranty represents the entire agreement between Kendall Howard and User with respect to the subject matter herein and supersedes all prior or contemporaneous oral or written communications, representations, understandings, or agreements relating to this subject.