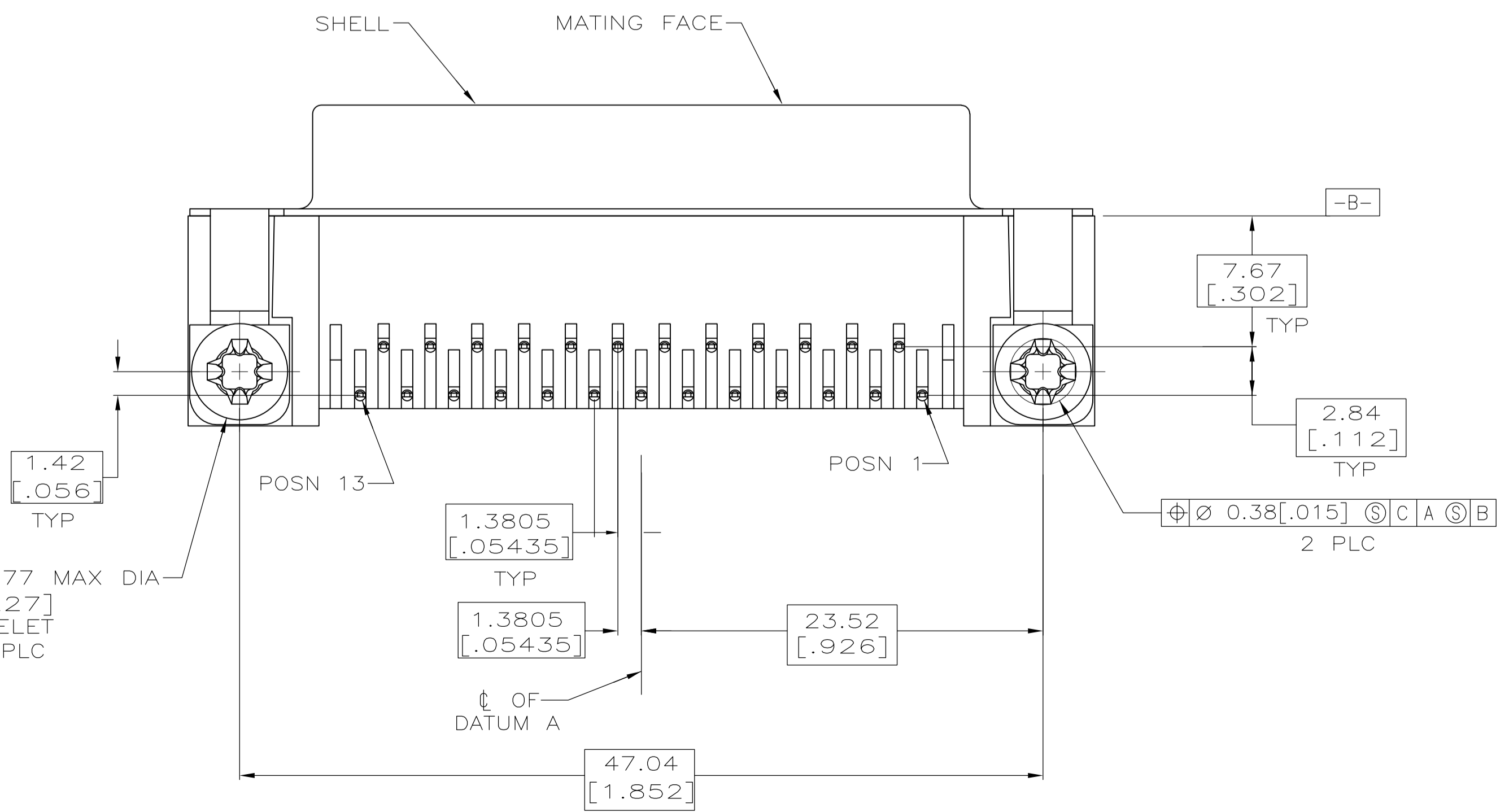
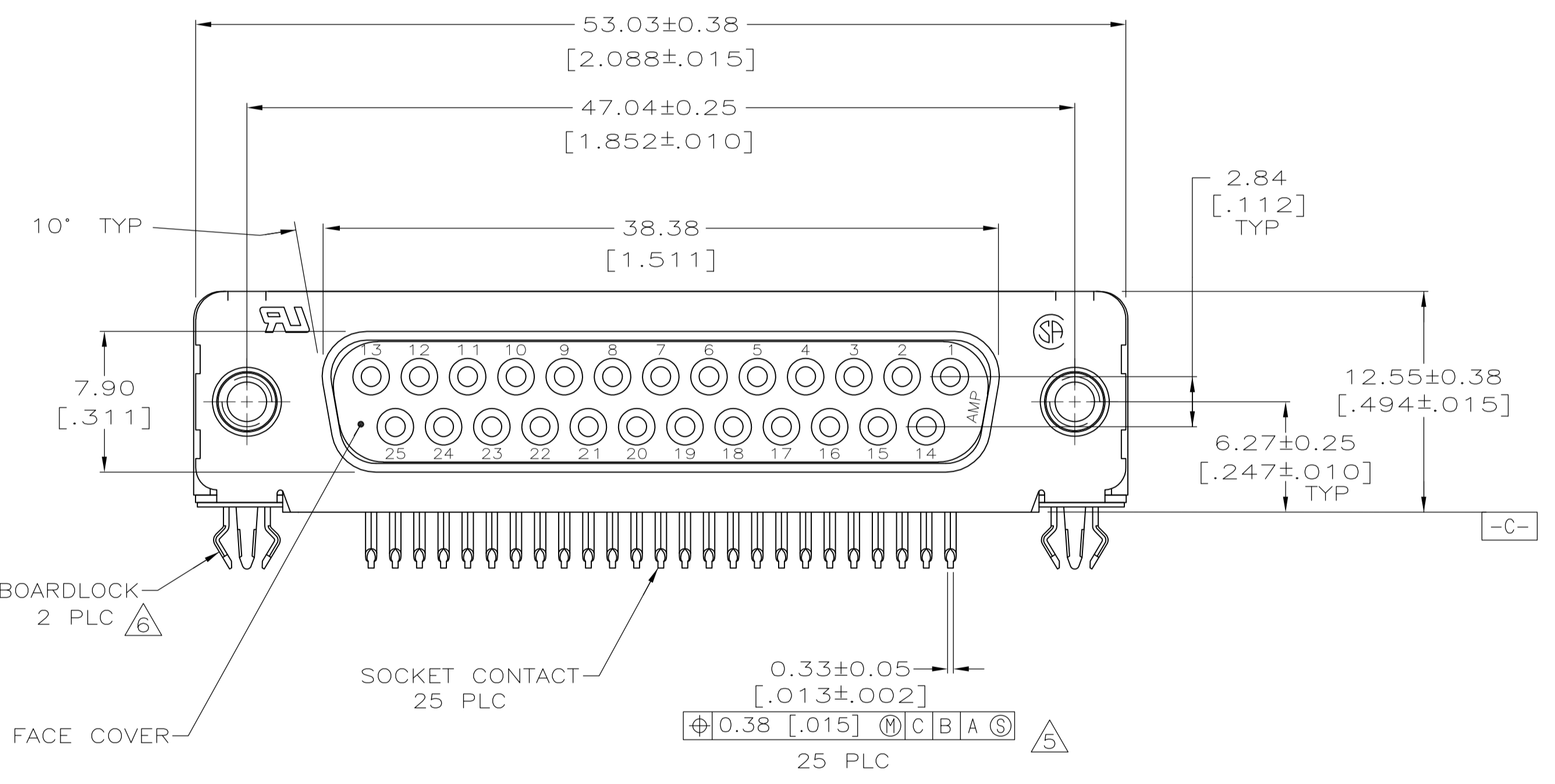
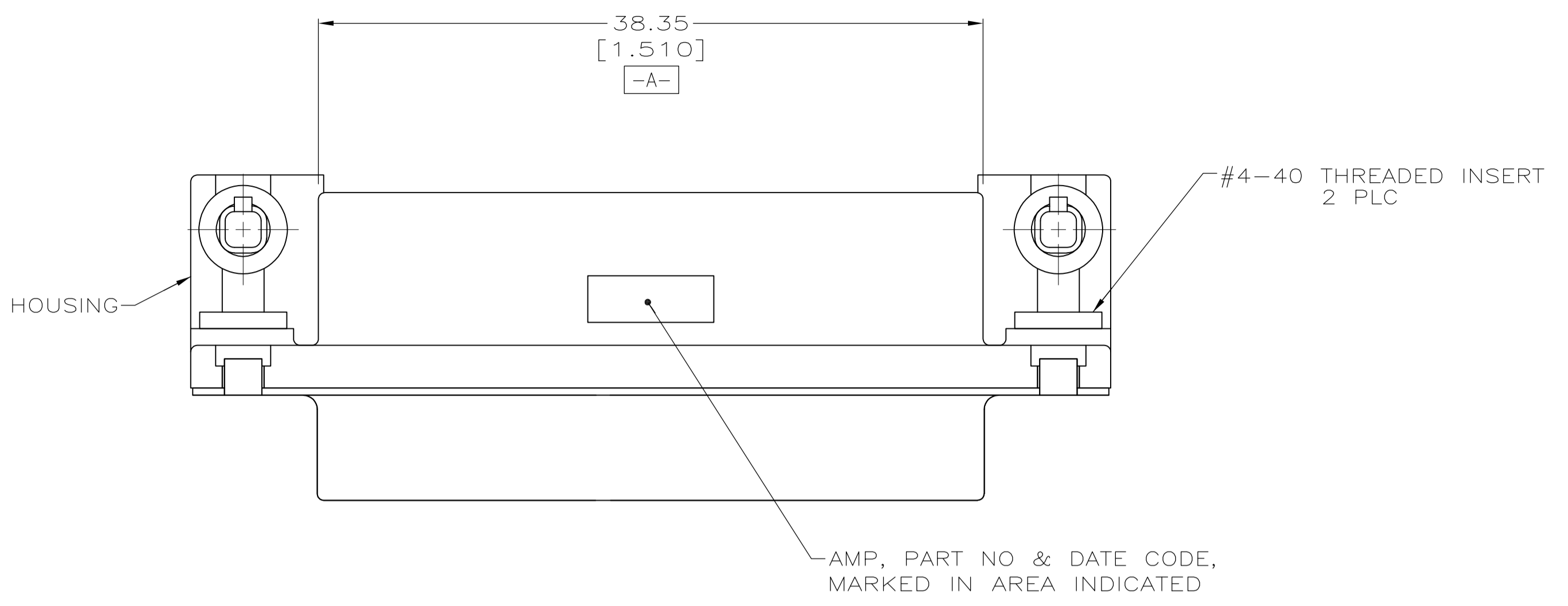
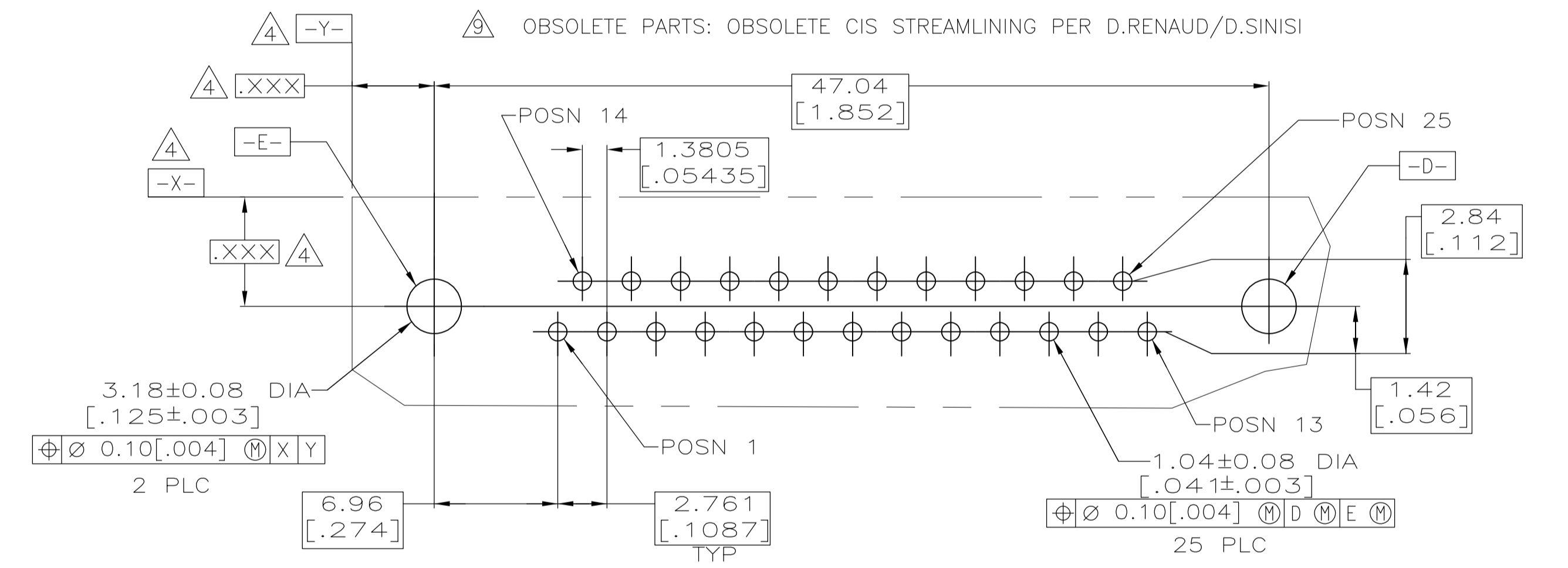


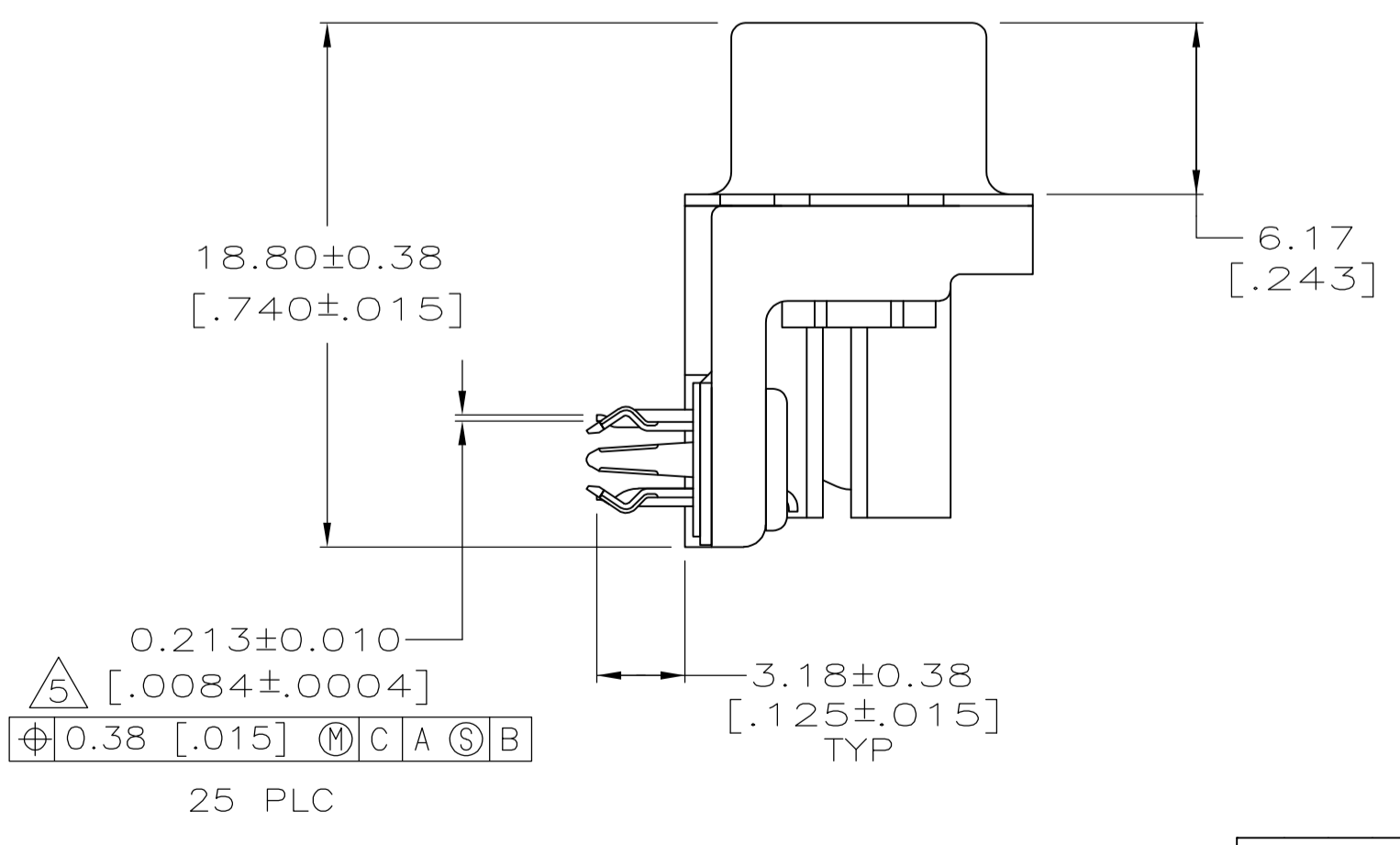
LOC		DIST		REVISIONS			
GP	00	F	LTR	DESCRIPTION	DATE	DMN	APVD
		B		REVISED PER ECO-07-000077	15FEB07	CJV	SB
		B1		REVISED PER ECO-10-000443	18JAN10	KK	HMR



- △ HOUSING & FACE COVER: NYLON, THERMOPLASTIC, UL 94VO RATED, BLACK; SHELL: CARBON STEEL PER ASTM A109; SOCKET CONTACTS: PHOSPHOR BRONZE; PER QQ-B-750; EYELETS: BRASS; THREADED INSERTS: ZINC; BOARDLOCKS: COPPER ALLOY.
- △ SOCKET CONTACTS: GOLD PLATED FOR A LENGTH OF 1.27 [.050] MIN FROM MATING END, 0.76μm [.000030] MIN GOLD IN MATED AREA, 2.54μm [.000100] MIN TIN OR TIN-LEAD FOR A LENGTH OF 3.56[.140] MIN FROM OPPOSITE END, BOTH OVER 1.27μm [.000050] MIN NICKEL.
 EYELETS: 2.54μm [.000100] MIN TIN-LEAD OR TIN OVER COPPER FLASH.
 SHELL: 2.54μm [.000100] MIN TIN OVER 1.27μm [.000050] MIN COPPER.
 THREADED INSERTS: CLEAR CHROMATE.
 BOARDLOCKS: 3.81μm [.000150] MIN TIN-LEAD OVER 1.27μm [.000050] MIN NICKEL.
- △ SOCKET CONTACTS: GOLD PLATED FOR A LENGTH OF 1.27 [.050] MIN FROM MATING END, GOLD FLASH IN MATED AREA, 2.54μm [.000100] MIN TIN OR TIN-LEAD FOR A LENGTH OF 3.56[.140] MIN FROM OPPOSITE END, BOTH OVER 1.27μm [.000050] MIN NICKEL.
 EYELETS: 2.54μm [.000100] MIN TIN-LEAD OR TIN OVER COPPER FLASH.
 SHELL: 2.54μm [.000100] MIN TIN OVER 1.27μm [.000050] MIN COPPER.
 THREADED INSERTS: CLEAR CHROMATE.
 BOARDLOCKS: 3.81μm [.000150] MIN TIN-LEAD OVER 1.27μm [.000050] MIN NICKEL.
- △ DATUMS AND BASIC DIMENSIONS ESTABLISHED BY CUSTOMER.
- △ POSITION TOLERANCE APPLIES AT CONTACT TIP.
- △ BOARDLOCKS WILL ACCEPT .062 MAX PRINTED CIRCUIT BOARD THICKNESS.
- 7. COMPATIBLE WITH TYPICAL HIGH TEMPERATURE SOLDERING APPLICATIONS TO A MAXIMUM OF 225°C FOR A MAXIMUM DURATION OF 90 SECONDS. TEMPERATURE TO BE MEASURED ON CONNECTOR SURFACE.
- △ SOCKET CONTACTS: GOLD PLATED FOR A LENGTH OF 1.27 [.050] MIN FROM MATING END, 0.76μm [.000030] MIN GOLD IN MATED AREA, 2.54μm [.000100] MIN TIN OR TIN-LEAD FOR A LENGTH OF 3.56[.140] MIN FROM OPPOSITE END, BOTH OVER 1.27μm [.000050] MIN NICKEL.
 EYELETS: 2.54μm [.000100] MIN TIN-LEAD OR TIN OVER COPPER FLASH.
 SHELL: 2.54μm [.000100] MIN TIN OVER 1.27μm [.000050] MIN COPPER.
 THREADED INSERTS: CLEAR CHROMATE.
 BOARDLOCKS: 3.81μm [.000150] MIN TIN OVER 1.27μm [.000050] MIN NICKEL.
- △ OBSOLETE PARTS: OBSOLETE CIS STREAMLINING PER D.RENAUD/D.SINISI



RECOMMENDED PC BOARD LAYOUT
 1.57 [.062] PC BOARD THICKNESS



△ OBSOLETE	△	6-788800-7
SUP BY 5788800-2	△	788800-2
	△	788800-1
	△	FINISH
	△	PART NUMBER

THIS DRAWING IS A CONTROLLED DOCUMENT.		DIN D.BROCKWAY 02 MAR 00		Tyco Electronics Corporation	
DIMENSIONS: mm [NCHES]		CIK J.KOPPENHEFFER 03 MAR 00		Tyco Electronics Corporation	
TOLERANCES UNLESS OTHERWISE SPECIFIED:		APVD J.KOPPENHEFFER 03 MAR 00		Harrisburg, PA 17105-3608	
0 PLC ± -	1 PLC ± -	NAME		RCPT ASSEMBLY, SIZE 3, 318 SERIES, WITH FRONT METAL SHELL, HIGH TEMPERATURE, AMPLIMITE™ HD-20	
2 PLC ± 0.13 [.005]	3 PLC ± -	PRODUCT SPEC		108-40025	
4 PLC ± -	ANGLES ± -	APPLICATION SPEC		114-40010	
MATERIAL	FINISH	WEIGHT	SIZE	CAGE CODE	DRAWING NO
SEE TABLE	SEE TABLE	-	A1	00779	788800
CUSTOMER DRAWING		SCALE		SHEET	
		4:1		1 OF 1	
				REV B1	