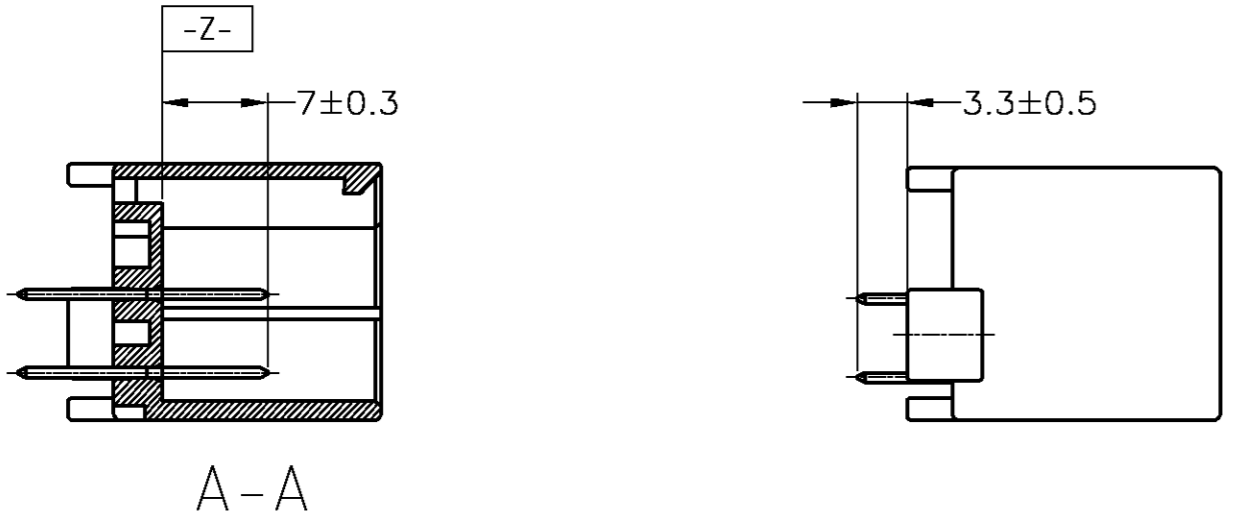
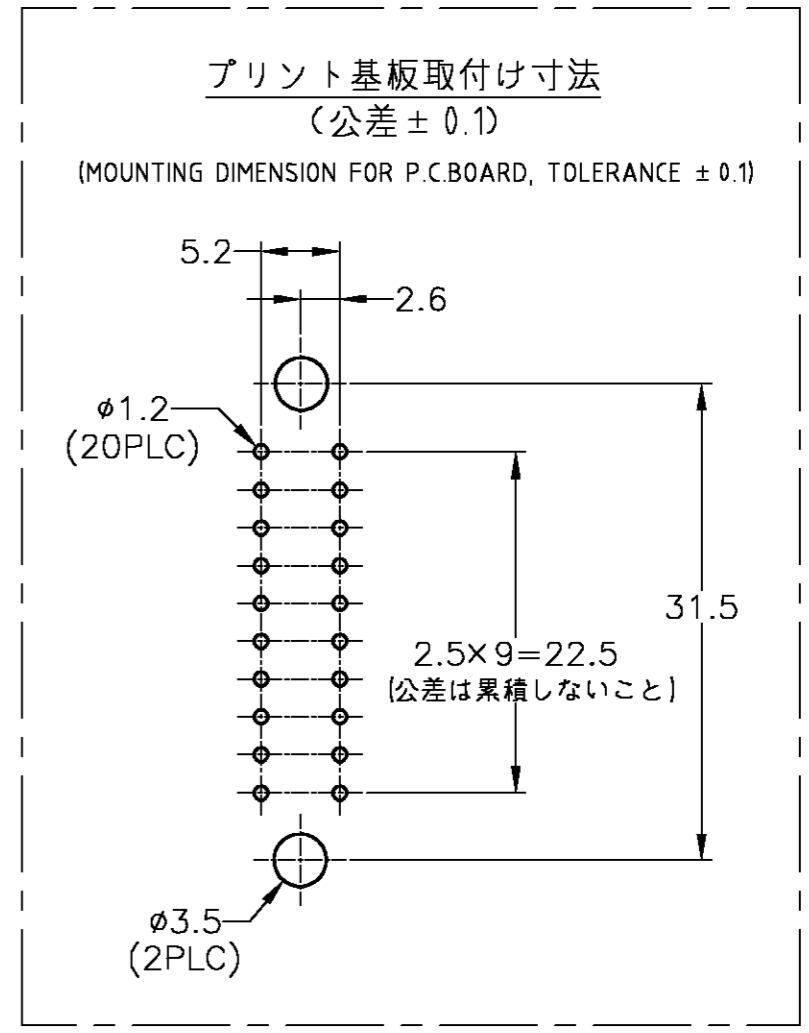
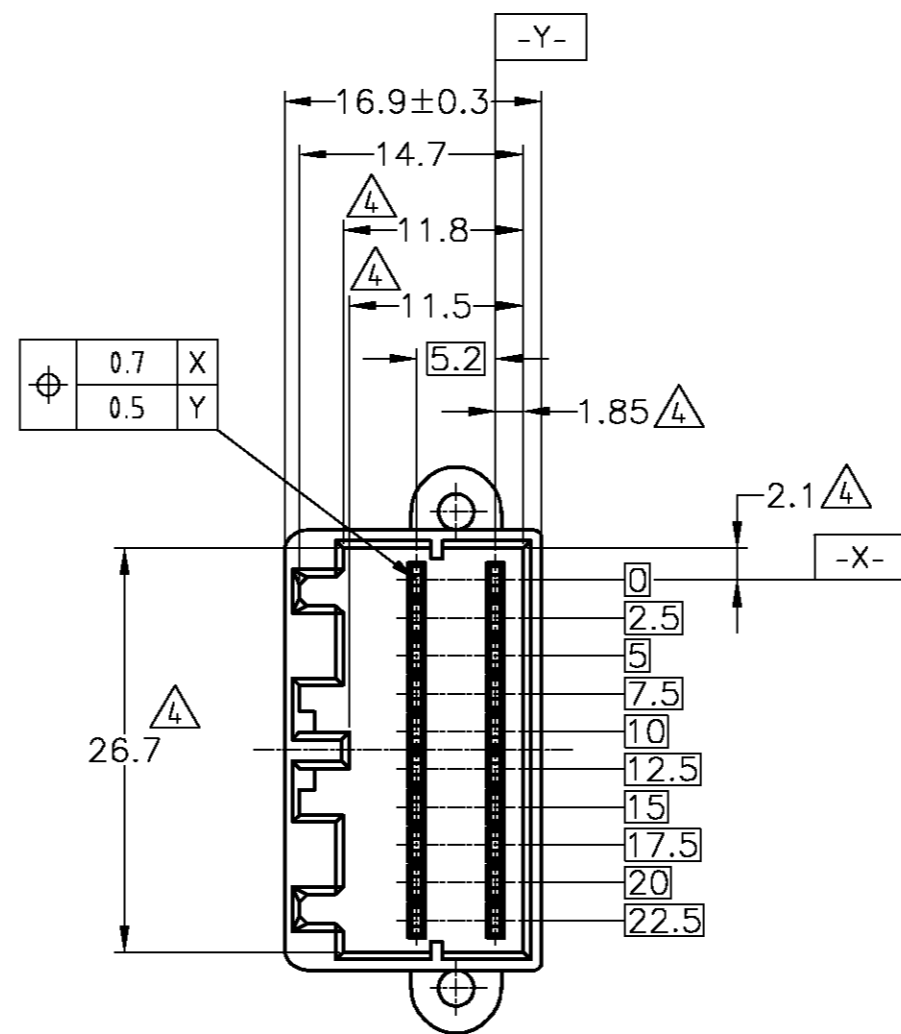
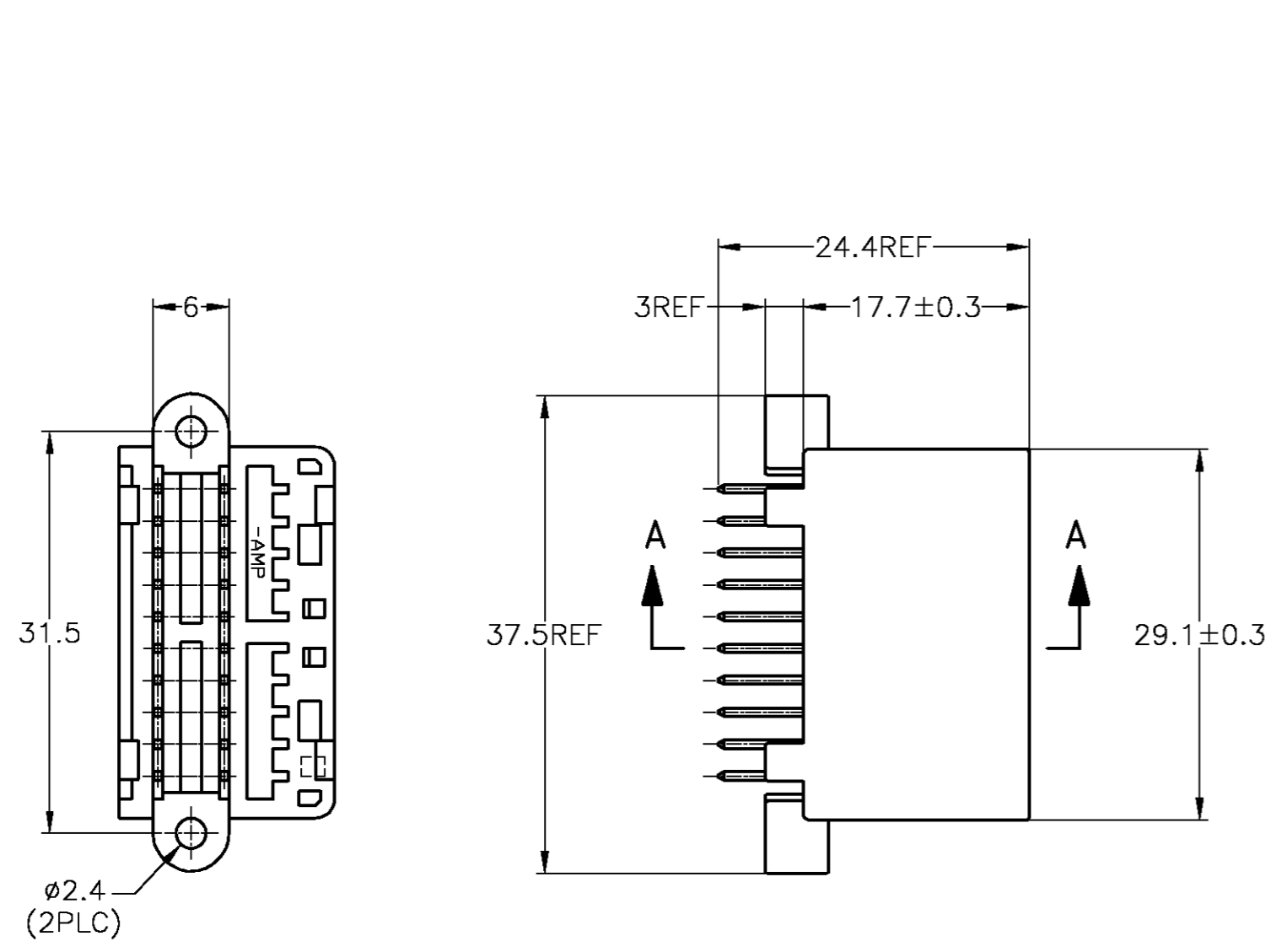


THIS DRAWING IS UNPUBLISHED. RELEASED FOR PUBLICATION
 © COPYRIGHT BY TYCO ELECTRONICS CORPORATION. ALL RIGHTS RESERVED.

LOC	DIST	REVISIONS					
		P	LTR	DATE	DWN	APVD	
J	-	03	REVISED	ECR-07-014190	14JUN07	TS	KB



- 適用プリント基板厚：1.6mm
- 推奨取付ネジ：JIS B1115, B1122 タッピングネジ、
ナベ2種呼び径3、長さ6mm以上（締付トルク：0.39N-m以下）
- 嵌合相手ハウジング：175967
- \triangle [-Z-] 面より2mmの範囲で測定
- 製品規格番号：108-5281

- APPLICABLE P.C.BOARD THICKNESS, 1.6mm
- RECOMMENDED MOUNTING SCREW 3mm DIA 6mm LENGTH (MIN.)
TAPPING SCREW SPECIFIED IN JIS B1115, B1122
(TIGHTENING TORQUE; 0.39N-m MAX.)
- THE MATING PLUG HOUSING PART NUMBER: 175967
- \triangle TO BE MEASURED WITHIN 2mm FROM [-Z-]
- PRODUCT SPEC NO.: 108-5281

SELECTIVE-TIN (MATTE)	SELECTIVE-TIN (BRIGHT)	BLUE	179254-3
PRE-TIN		BLACK	179254-2
PRE-TIN		BLUE	179254-1
SOLDERING SIDE 半田付け部	CONTACT SIDE 接触部側	COLOR 色	PART NUMBER 製品型番
CONTACT FINISH コンタクト仕上げ			

THIS DRAWING IS A CONTROLLED DOCUMENT.

DWN	T.SHINOHARA	05JAN06
CHK	K.BETSUI	05JAN06
APVD	K.BETSUI	05JAN06

NAME: K.BETSUI

PRODUCT SPEC: 製品規格

APPLICATION SPEC: 取付適用規格

FINISH: 仕上

SEE TABLE

MATERIAL: HOUSING: PBT
CONTACT: BRASS

SCALE: 2:1

SIZE: A2

CAGE CODE: 00779

DRAWING NO: 179254

RESTRICTED TO: -

CUSTOMER DRAWING

SCALE: 2:1

SHEET: 1 OF 1

REV: 03

179254