

DWG. NO. SD-35439-001

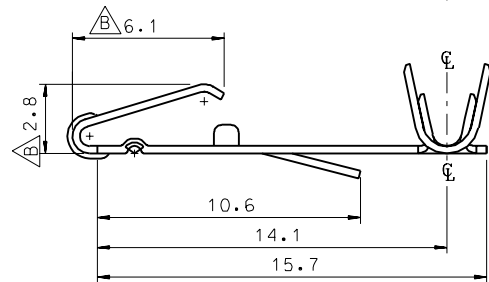
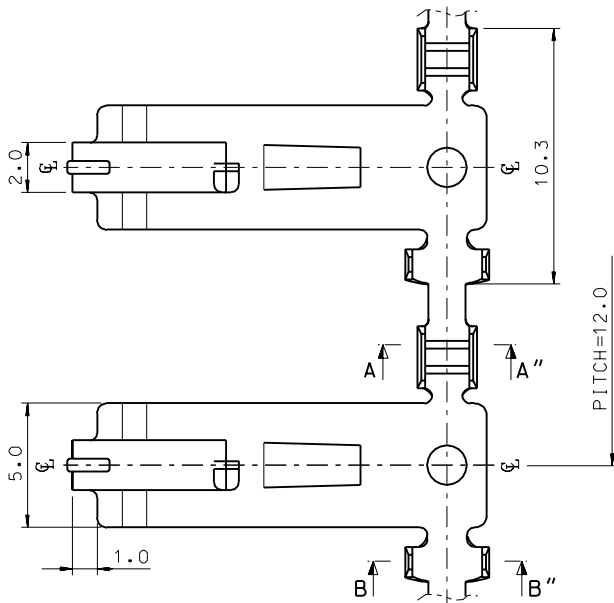
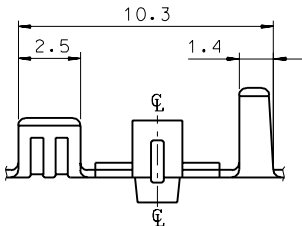
SIMILAR ITEM

PROJECT NO.

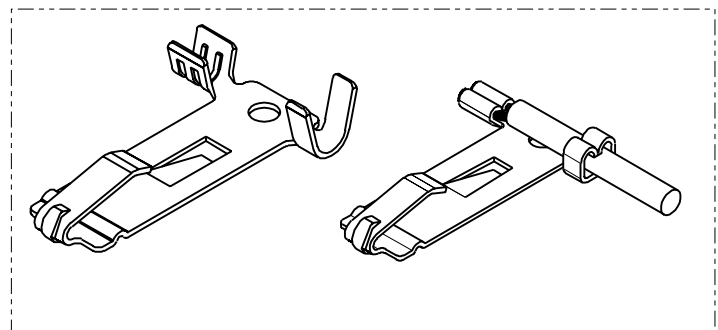
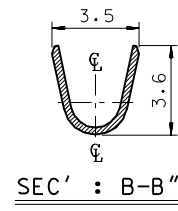
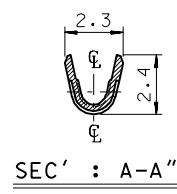
C

B

DO NOT SCALE DRAWING DIMENSION IN METRIC



- NOTES
1. MATERIAL : PHOSPHOR BRONZE  
THICKNESS : 0.3mm
  2. FINISH : NONE
  3. APPLICABLE WIRE : 0.5 - 0.85mm<sup>2</sup>
  4. RECOMMENDED LENGTH OF WIRE STRIP IS 3.2-3.8mm.



ISOMETRIC VIEW

REVISED EC NO. KOR2003-0179 DRWN: S.M.KIM 03/02/13 CHKY: SIK.KIM 03/02/13 APPRC: W.LEE	QUALITY SYMBOLS MAJOR $\blacktriangledown$ -0 CRITICAL $\nabla$ -0	GENERAL TOLERANCES: (UNLESS SPECIFIED)		SCALE: 5:1	DESIGN UNITS <input checked="" type="checkbox"/> mm <input type="checkbox"/> INCH	DIMENSIONS: <input type="checkbox"/> mm <input type="checkbox"/> INCH <input checked="" type="checkbox"/> mm ONLY	SHT REV		
		4 PLACES $\pm 0.$ $\pm.$	3 PLACES $\pm 0.$ $\pm.$	2 PLACES $\pm 0.15$ $\pm.$	1 PLACE $\pm 0.25$ $\pm.$	DRAWN BY & DATE J.S.KANG 97/11/28	CHECKED BY & DATE B.K.CHOI 97/11/29	APPROVED BY & DATE C.W.LEE 97/11/28	TITLE: BULB SOCKET EARTH TERMINAL
		ANGULAR: $\pm 2^\circ$				CAD FILENAME sd35439.dgn	MATERIAL NO. 35439-8000	DRAWING NO. SD-35439-001	SHEET NO. 1 OF 1
		DRAFT WHERE APPLICABLE MUST REMAIN WITHIN DIMENSIONS				THIS DRAWING CONTAINS INFORMATION THAT IS PROPRIETARY TO MOLEX INCORPORATED AND SHOULD NOT BE USED WITHOUT WRITTEN PERMISSION.			SIZE B