

6

5

4

3

2

1

**MATERIAL AND FINISH:**

Insulator: PC (Polycarbonate), color black, UL-94V-0 rated  
Contacts: Brass, Tin Plated

**ELECTRICAL SPECIFICATIONS:**

Current rating: 10 A

Voltage rating: 250 VAC

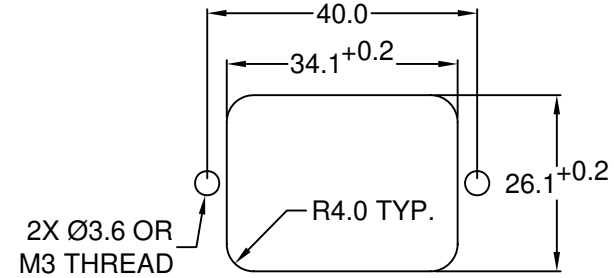
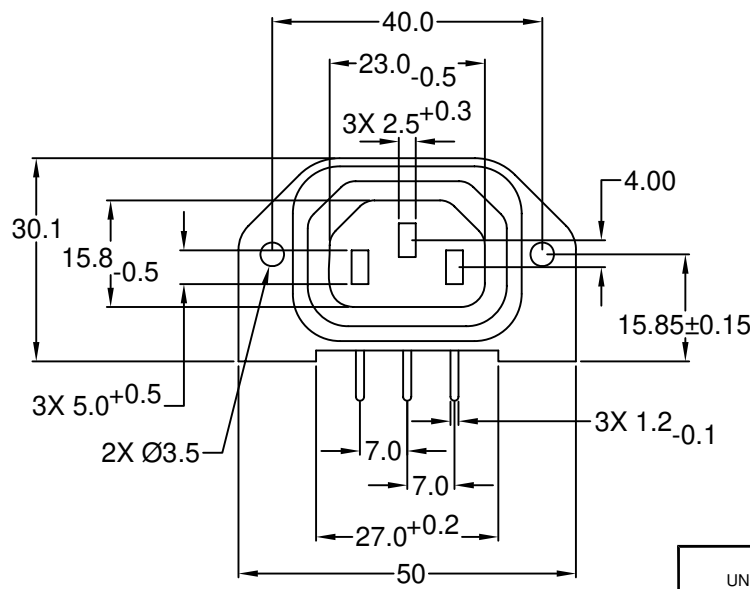
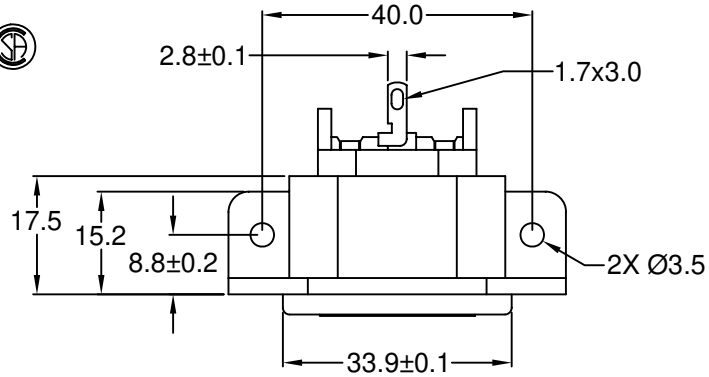


Current rating: 15 A

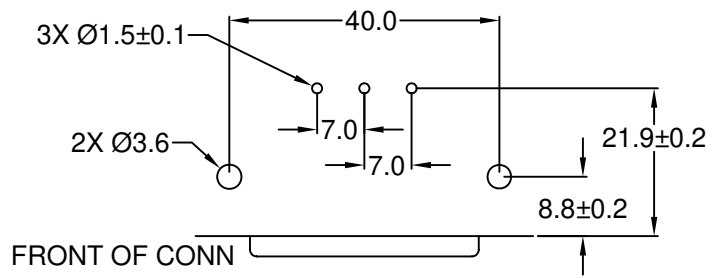
Voltage rating: 250 VAC



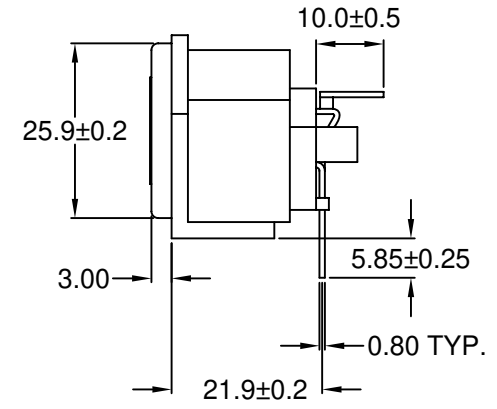
RoHS  
COMPLIANT



RECOMMENDED  
PANEL CUTOUT



RECOMMENDED  
PCB LAYOUT (TOP VIEW)



D

C

B

A

REVISIONS	CHNG	CHECK	APPR
	DATE	12/05/01	
	REV	A	
	BY	SS	
	CHANGE	REVISED / UPDATED	GO
	TD	PB	

TOLERANCE UNLESS OTHERWISE SPECIFIED	
X	± 1
X.X	± 0.4
X.XX	± 0.20

**Power Dynamics, Inc.**  
Phone: 973 560-0019 Whippany, New Jersey Fax: 973 560-0076

PART: IEC 60320 C13 APPL. OUTLET; PCB  
TERMINALS, SIDE FLANGE

DRAWN BY	AH	DATE:	3/25/98
CHECK BY		DATE:	
APPR BY	SS	DATE:	11/9/98

PART #:	<b>43R65</b>	SHEET	1 of 1
SIZE:	A	ALL DIMENSIONS FOR REFERENCE ONLY DIMENSIONS ARE IN MILLIMETERS	REV: A
SCALE:	NTS		