

2 Nm double ovoid 1.4 and 3.2 Watts 3.2 W Part number 82729004



- Gearbox 2 Nm nominal
- Class A EMC interference suppression (radiated)
- Compatible with 6 V, 9 V or 12 V battery power supply
- Optional class B interference suppression
- Optional 1, 5, 12 or 48 pulses/rev encoder

Part numbers

| | Type | Type | Voltage | Output speed (rpm) | Ratios (i) |
|----------|-------|--------|---------|--------------------|------------|
| 82729004 | 3.2 W | 827290 | 12 V | 14 | 250 |

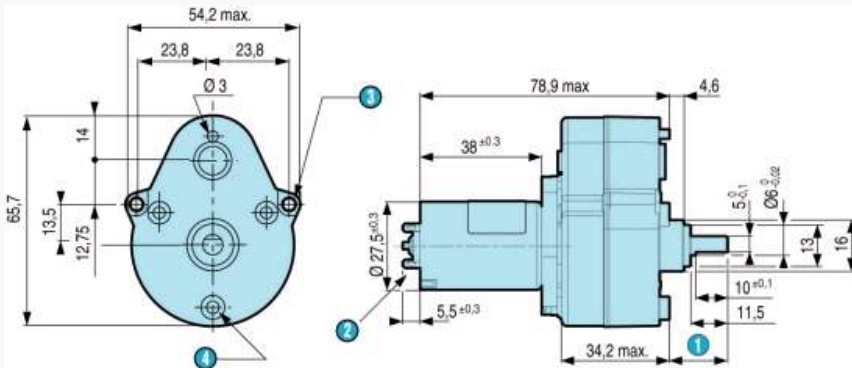
Specifications

General characteristics

| | |
|--|----------|
| Motor | 82720001 |
| Gearbox | 810330 |
| Maximum permitted torque from gearmotor under continuous conditions for 1 million turns (Nm) | 2 |
| Axial load static (daN) | 1 |
| Radial load static (daN) | 10 |
| Max. output power (W) | 3,2 |
| Nominal output (W) | 2,6 |
| Gearbox case temperature rise (°C) | 40 |
| Weight (g) | 220 |

Dimensions (mm)

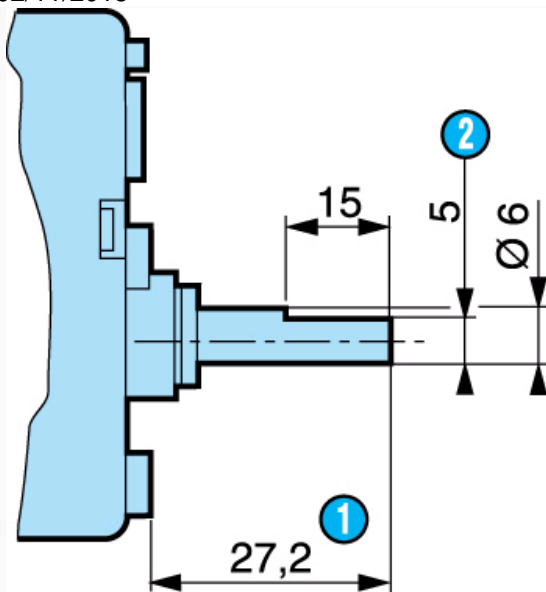
827290



| N° | Legend |
|----|--|
| ① | 18.2 mm max. shaft pushed-in |
| ② | 2 solder tags 2.8 x 0.5 mm |
| ③ | 2 fixing holes Ø 3.2 mm |
| ④ | 3 bosses Ø 7.2 at 120° on R=19.5 with M3 holes, depth : 4 mm |

Dimensions (mm)

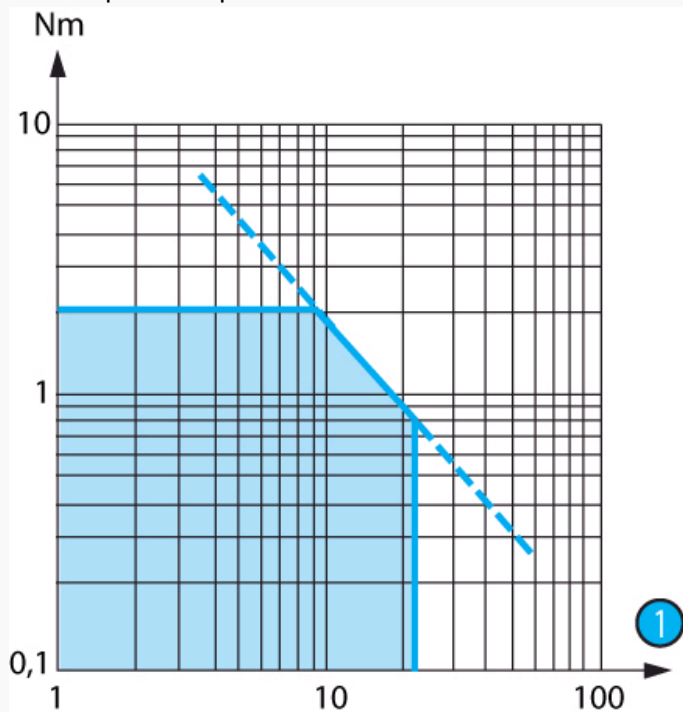
Shaft 79202573



| N° | Legend |
|----|-----------------|
| 1 | Shaft pushed-in |
| 2 | 5 across flats |

Curves

Curve : torque/nominal speed 827290



| N° | Legend |
|----|--------|
| 1 | rpm |

Product adaptations



- Special supply voltage
- Lead output
- Special connectors
- Special shaft
- Special reduction ratio

- Special materials for gears
- Special ball bearings
- Special adaptor plate
- Class B EMC filter
- Friction
- Y system
- Greasing at low temperature
- 1 to 48 pulses/revolution encoder