

THIS DRAWING IS UNPUBLISHED.

RELEASED FOR PUBLICATION FEB ,2006.

© COPYRIGHT 2006 By -

ALL RIGHTS RESERVED.

LOC E	DIST B	REVISIONS		
P	LTR	DESCRIPTION	DATE	DWN
	D	ECO-14-000452	28APR2015	MC

NOTES:

1 SINGLE PACKING: ONE CONNECTOR PER LABELED BAG PACKAGED. LABELED PER TEC-107-115

2 TRAY PACKAGED

3 Au PLATING

4 ELECTRICAL CHARACTERISTICS

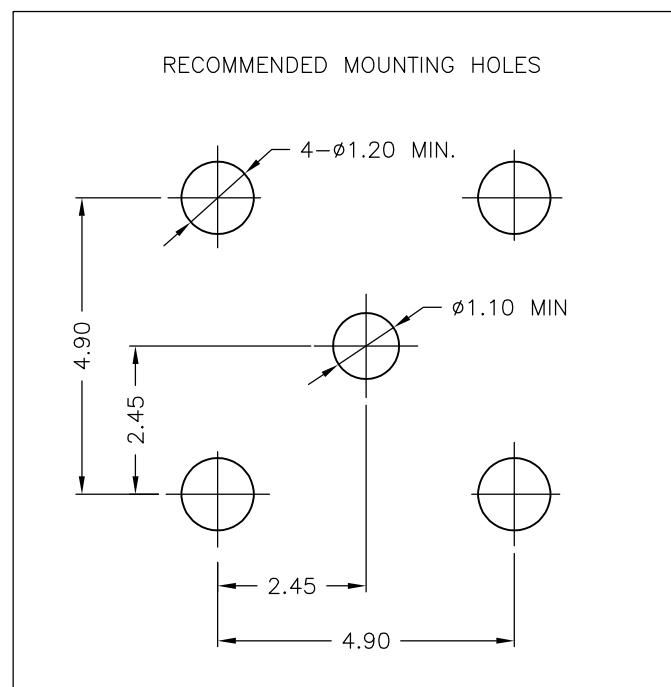
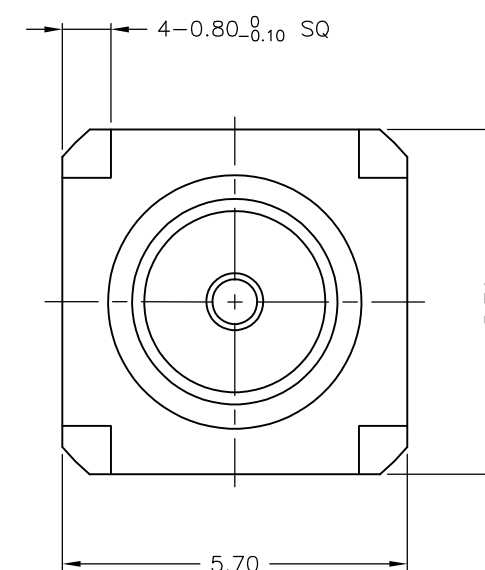
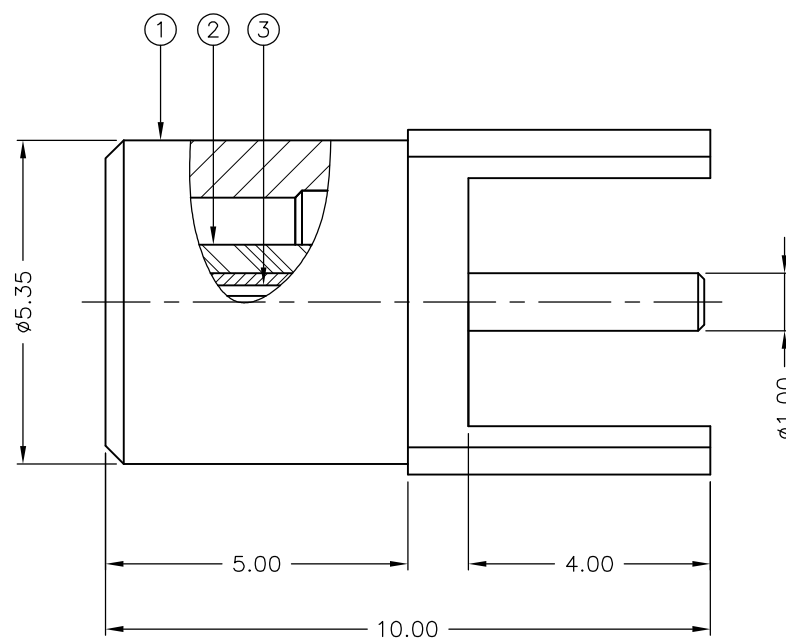
FREQUENCY RANGE: DC - 6 GHz
 NOMINAL IMPEDANCE: 50 Ohm
 INSULATION RESISTANCE: 1000 MOhm
 WORKING VOLTAGE: 335 Volts RMS at Sea Level
 DIELECTRIC WITHSTAND VOLTAGE: 1000 Volts RMS Max
 CONTACT RESISTANCE:
 CENTER CONTACT: 5.00 mOhm Max
 OUTER CONTACT: 1.00 mOhm Max
 VSWR @ 4GHz: N/A
 INSERTION LOSS dB @ x 1.0 GHz: 0.10 Max

5 MECHANICAL CHARACTERISTICS


DURABILITY: 500 Cycles Min

6 ENVIRONMENTAL CHARACTERISTICS

OPERATING TEMPERATURE: -65 to +165 DegC



	1	1	BERYLLIUM COPPER	CONTACT	3
	1	1	PTFE	INSULATION	2
	1	1	BRASS	BODY	1
	6--0	1--0	MATERIAL	DESCRIPTION	ITEM
QUANTITY PER ASSY			PARTS LIST		

THIS DRAWING IS A CONTROLLED DOCUMENT.		DWN J.SANDWELL	02FEB06	 TE Connectivity											
DIMENSIONS: mm		CHK S.PARLOW	02FEB06												
TOLERANCES UNLESS OTHERWISE SPECIFIED:		APVD F.WHEELER-KING	02FEB06												
<table border="1"> <tr><td>0 PLC</td><td>± -</td></tr> <tr><td>1 PLC</td><td>± -</td></tr> <tr><td>2 PLC</td><td>± 0.10</td></tr> <tr><td>3 PLC</td><td>± -</td></tr> <tr><td>4 PLC</td><td>± -</td></tr> <tr><td>ANGLES</td><td>± -</td></tr> </table>		0 PLC	± -			1 PLC	± -	2 PLC	± 0.10	3 PLC	± -	4 PLC	± -	ANGLES	± -
0 PLC	± -														
1 PLC	± -														
2 PLC	± 0.10														
3 PLC	± -														
4 PLC	± -														
ANGLES	± -														
MATERIAL SEE TABLE		FINISH		MCX STRAIGHT PCB SOCKET 50 OHM											
		WEIGHT		SIZE	CAGE CODE										
		CUSTOMER DRAWING		A3	00779										
				DRAWING NO	RESTRICTED TO										
				C-1337581	-										
				SCALE	SHEET										
				NTS	1 OF 1										
				REV	D										