

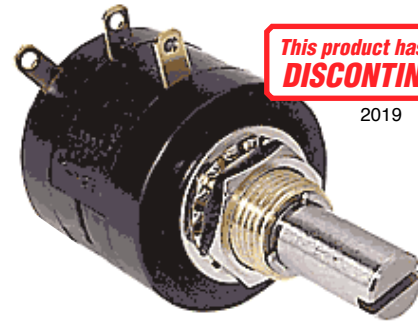
CPM Potentiometers

Precision Multi-Turn Potentiometers



FEATURES

- Available as 3, 5, and 10 turn models
- Wirewound Element (CPW)
- Hybrid element. High temp thermo plastic housing (CPM)
- Recommended for medical equipment (non-life support), test and lab equipment, robotics (CPW) and industrial (CPM) applications



This product has been
DISCONTINUED

2019

SERIES SPECIFICATIONS

	CPW	CPM		CPW	CPM
Element	Wirewound	Hybrid	Dielectric strength	1000 VAC min.	1000VAC min.
Housing	High Temp Thermo Plastic	High Temp Thermo Plastic	Stop strength	48 oz. in.	48 in. oz.
Mount	Brass bushing std; servo available	Brass bushing std.; servo available	Radial play	0.002 TIR	
Terminals	Gold plated brass	Gold plated brass	End play	0.005	
Shaft	Stainless Steel	Stainless steel	Output smoothness		<0.015% (10 turn), <0.05% (3 and 5 turn)
Life expectancy	1 million turns	10 mil. turns (10 turn), 5 mil. turns (3 and 5 turn)	Contact variation		<3% (10 turn), <5% (3 and 5 turn)
Resistance tolerance	±5% standard (±1% special order)	±10% standard (±5% special order)	End voltage		0.3% max.
Linearity tolerance	0.5% 3-turn 0.3% 5-turn 0.25% 10-turn	0.5% 3-turn 0.35% 5-turn 0.25% 10-turn	Operating temperature	-55°C to +105°C	-55°C to +105°C
Power rating	2 Watt (10 turn), 1 Watt (5 turn), 1 Watt (3 turn)	2 Watt (10 turn), 1 Watt (5 turn), 1 Watt (3 turn)	Temperature coefficient		±100PPM/°C
Torque	1.4 oz. in. max.	0.7 oz. in. max.	Vibration	10HZ to 2000HZ 15G	10HZ to 2000HZ 15G
End resistance	1Ω or 0.1%		Shock	50g 11ms	50g 11ms
Noise	100Ω max.		Moisture resistance	40°C 95%RH 120 hours	40°C 95%RH 120 hours
Insulation resistance	100MΩ at 1000VDC	1000MΩ min. @500VDC	Resolution		essentially infinite
			Weight	0.8 oz.	0.8 oz.

Series	No. of Turns	Electrical angle	Mechanical angle	Linearity independent	Power rating	Rotational life	Weight
CPM	3	1080°±5°	1080°+10°/-0°	±0.5%	1W	5,000,000	0.8 oz.
	5	1800°±5°	1800°+10°/-0°	±0.35%	1W	5,000,000	0.8 oz.
	10	3600°±5°	3600°+10°/-0°	±0.25%	2W	10,000,000	0.8 oz.
CPW	3	1080°±5°	1080°+10°/-0°	±0.5%	1W	1,000,000	0.8 oz.
	5	1800°±5°	1800°+10°/-0°	±0.3%	1W	1,000,000	0.8 oz.
	10	3600°±5°	3600°+10°/-0°	±0.25%	2W	1,000,000	0.8 oz.

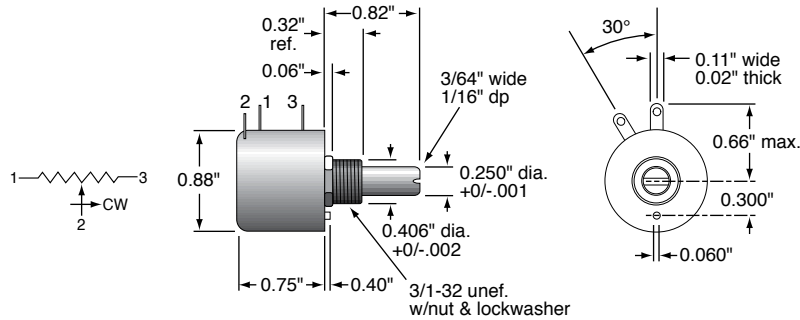
		Resolution (%)													
Series	Turns	10Ω	20Ω	50Ω	100Ω	200Ω	500Ω	1KΩ	2KΩ	5KΩ	10KΩ	20KΩ	50KΩ	100KΩ	
CPW	3	.15	.12	.15	.11	.10	.08	.07	.06	.05	.04	.03	.02	.01	
	5	.10	.08	.10	.10	.08	.06	.05	.04	.03	.02	.02	.01	.01	
	10	.06	.04	.06	.05	.03	.03	.02	.02	.02	.01	.01	.01	.01	

(continued)

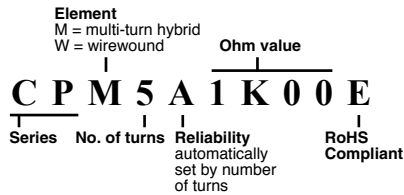
CPM Potentiometers

Precision Multi-Turn Potentiometers

DIMENSIONS



HOW TO ORDER



Standard part numbers

CPM5A1K0E	CPW5A1K0E
CPM5A5K0E	CPW5A5K0E
CPM5A10KE	CPW5A10KE
CPM10A1K0E	CPW10A1K0E
CPM10A5K0E	CPW10A5K0E
CPM10A10KE	CPW10A10KE

DIAL

ACD22 10 Turns Counting Dial

22mm, 10 turns counting dial in satin-chrome finish, for precision potentiometers and other rotating devices.

FEATURES

- Compact design
- Accepts 6.35mm (1/4") diameter shafts
- Excellent legibility
- Locking brake

Part number	ACD22 6.35-10
Number of turns	10 turns
Dial Divisions	50 Per turn
Diameter	22mm
Weight	16 grams
Finish	Satin-chrome with black plastic knob
Markings	White on black background
Readout	Concentric scale

