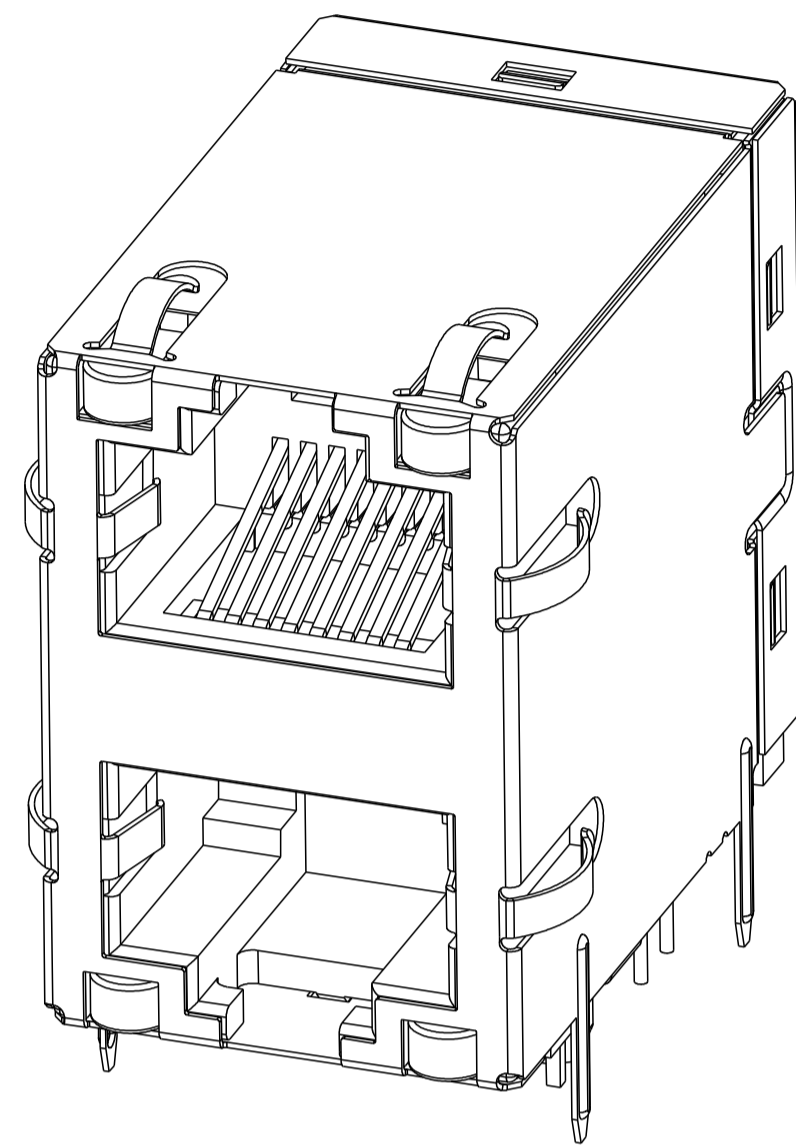


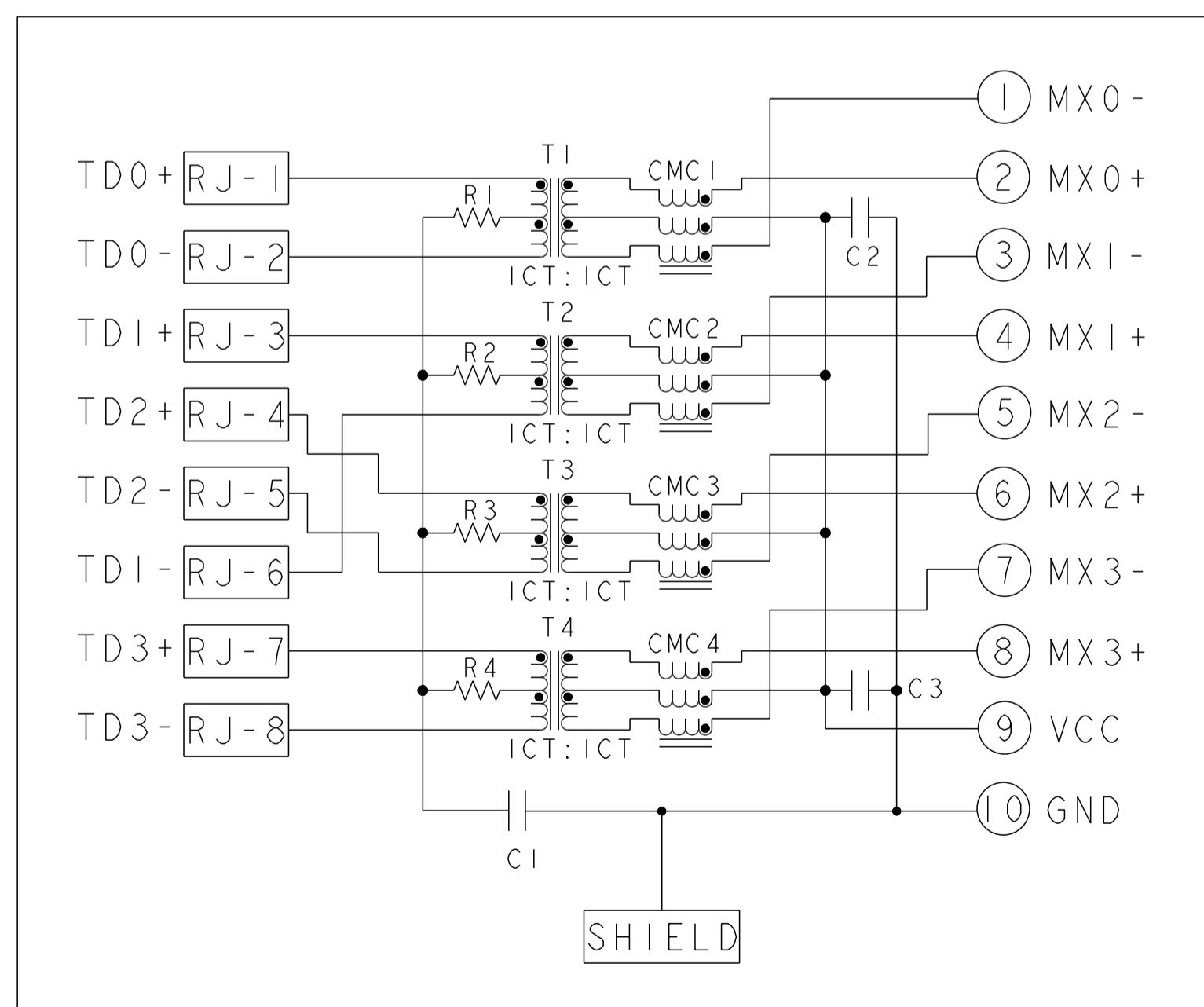
THIS DRAWING AND THE SUBJECT MATTER SHOWN THEREON ARE CONFIDENTIAL AND THE PROPERTY OF BEL/STEWART/TRP CONNECTOR AND SHALL NOT BE REPRODUCED, COPIED, OR USED IN ANY MANNER WITHOUT THE WRITTEN CONSENT OF TRP CONNECTOR.

PRODUCT MAY BE PROTECTED BY ONE OR MORE OF THE FOLLOWING US PATENTS:  
 5736910 5939955 6425781 6428361 6554638 6840817 7123117  
 7429195 7717749 7808751 6217391 6149050 7924130

REVISIONS				
P	LT#	DESCRIPTION	DATE	APPD
G		EC-1411035 COMPANY LOGO CHANGE	28DEC2014	GZ TY



S8G56 GIGABIT CIRCUIT  
 TOP AND BOTTOM PORTS



C1 = 1000pF, 2kV CAPACITOR  
 C2 - C3 = 10nF, 50V CAPACITORS  
 R1-R4 = 75 Ohms, 1/16 W, RESISTORS

- I. MATERIALS:  
 PLASTIC HOUSING: BLACK, THERMOPLASTIC FLAMMABILITY RATING UL 94V-0  
 SHIELD: BRASS, PREPLATED WITH 0.76um MIN SEMI-BRIGHT NICKEL, POST DIPPED WITH 2.54um MIN SAC SOLDER ON SOLDER TAILS,  
 CONTACTS: PHOSPHOR BRONZE, 1.27um MIN OVERALL NICKEL UNDERPLATE WITH SELECT 1.27um MIN GOLD OR WITH SELECT 0.05um MIN GOLD OVER 0.76um MIN PALLADIUM-NICKEL AT MATING INTERFACE AND 2.54um MIN MATTE TIN ON SOLDER TAILS.  
 ALL PC BOARDS: HIGH TEMPERATURE PCB, TG>170°C
- △ MAGNETICS  
 APPLICATION: 10/100/1000 BASE-T  
 IMPEDANCE: 100 OHMS  
 TURNS RATIO (CHIP:CABLE): 1:1 ALL FOUR PAIRS  
 OPEN CIRCUIT INDUCTANCE (OCL): 350uH MIN @100kHz, 0.1VRMS, 8mADC BIAS FROM 0°C TO 70°C, ALL FOUR PAIRS  
 ALL FOUR PAIRS BI-DIRECTIONAL  
 PERFORMANCE @ 25°C:  
 INSERTION LOSS (IL): 1.1dB MAX FROM 0.5MHz TO 100MHz  
 RETURN LOSS (RL): 18dB MIN FROM 0.5MHz TO 40MHz  
 12-20LOG(f/80)dB MIN FROM 40.1MHz TO 100MHz  
 CROSSTALK ATTENUATION: 35dB MIN FROM 0.5MHz TO 40MHz  
 33-20LOG(f/50)dB MIN FROM 40.1MHz TO 100MHz  
 COMMON MODE REJECTION RATIO (CMRR): 30dB MIN FROM 0.5MHz TO 100MHz  
 ISOLATION VOLTAGE: 2250VDC (MAX) FOR 60 SECONDS WITH A RISE TIME OF 500V/SEC AND WITH ALL PORTS CONNECTED

△ PART NUMBER, DATE CODE AND COUNTRY OF ORIGIN ARE LOCATED IN APPROXIMATE AREA SHOWN. DATE CODE: "YY" IS YEAR, "WW" IS WORK WEEK, "D" IS DAY OF WEEK, WITH SUNDAY=1

△ TRP CONNECTOR LOGO AND AGENCY APPROVAL LOGO ARE LOCATED IN APPROXIMATE AREA SHOWN.

5. OPERATING TEMP: FROM 0°C TO +70°C.

6. RJ45 CAVITY CONFORMS TO FCC RULES AND REGULATION PART 68 SUBPART F.

△ INDICATED MAGNETIC CONNECTIONS ARE SYMMETRICAL AND SUPPORT AUTO-MD1/MDIX.

△ DATUM AND BASIC DIMENSION ESTABLISHED BY CUSTOMER.

△ BASIC DIMENSION ESTABLISHED BY CUSTOMER, BUT MAY NOT BE GREATER THAN 5.08mm.

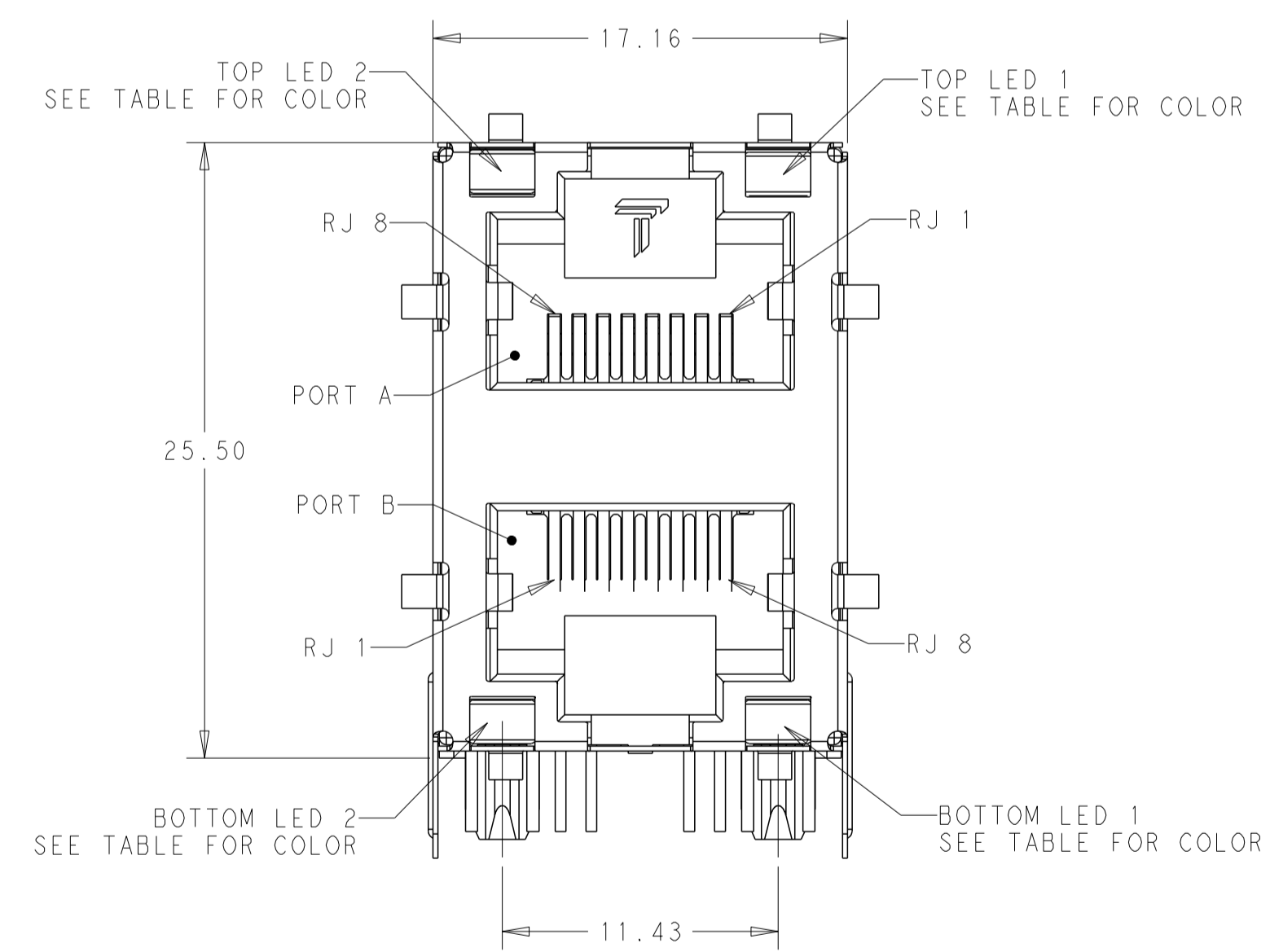
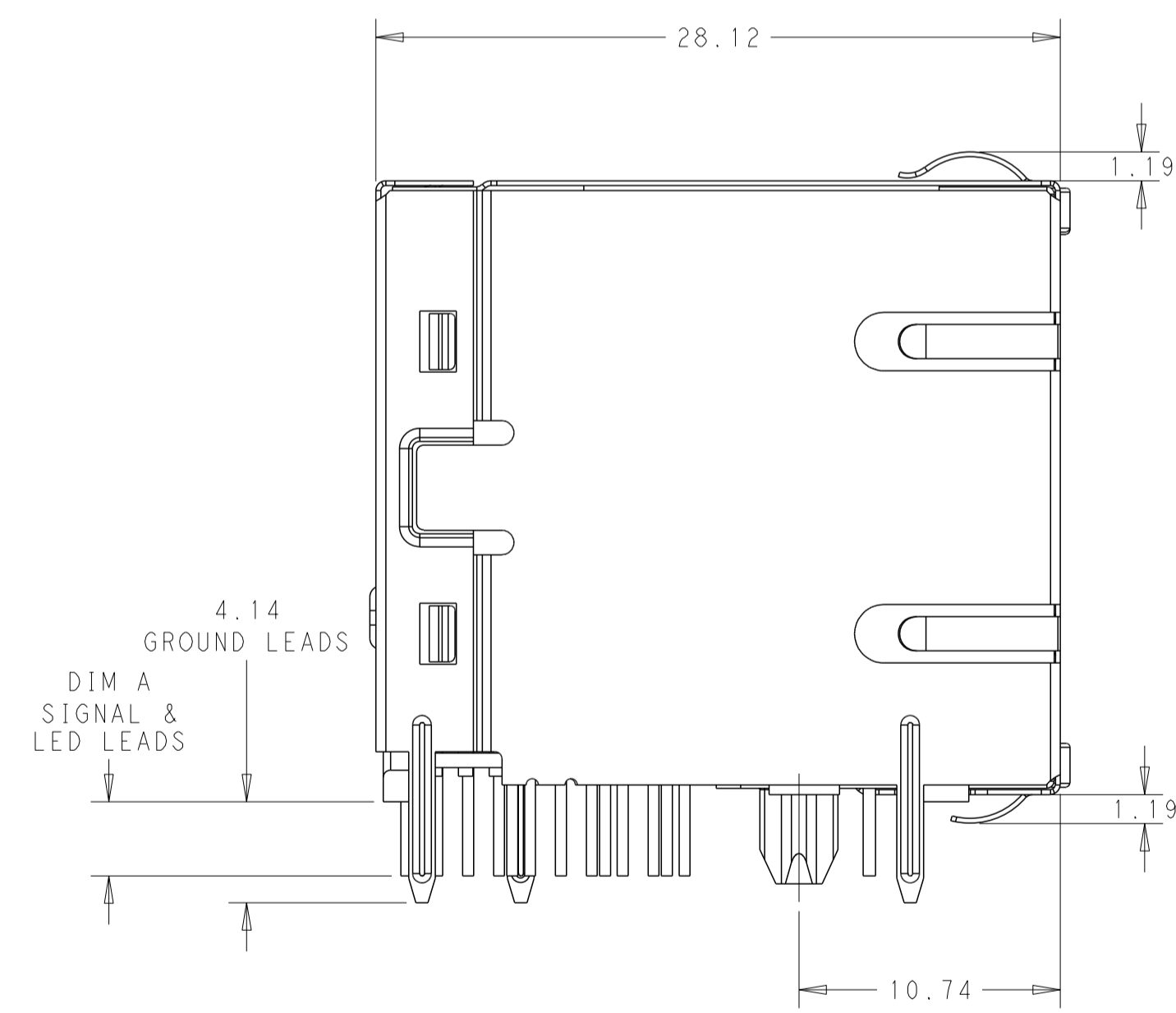
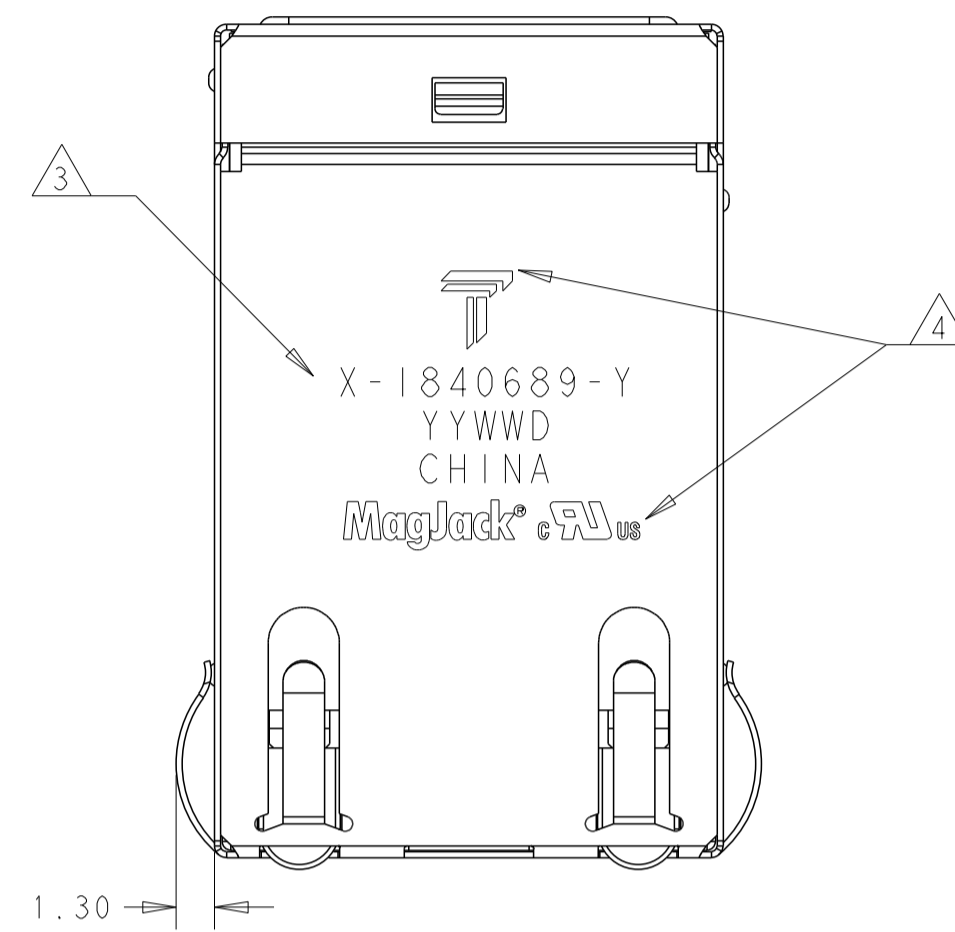
△ LEDs ARE DRIVEN WITH CONSTANT CURRENT AT APPROX 20mA  
 LED COLOR: DOMINANT WAVELENGTH (λD): GREEN 568 nm TYP. @ IF=20mA  
 FORWARD VOLTAGE (VF): GREEN 2.2V TYP. @ IF=20mA  
 DOMINANT WAVELENGTH (λD): YELLOW 588 nm TYP. @ IF=20mA  
 FORWARD VOLTAGE (VF): YELLOW 2.1V TYP. @ IF=20mA  
 DOMINANT WAVELENGTH (λD): ORANGE 605 nm TYP. @ IF=20mA  
 FORWARD VOLTAGE (VF): ORANGE 2.1V TYP. @ IF=20mA


II. THE PARTS ARE RECOMMENDED FOR WAVE SOLDERING PROCESS, PEAK TEMPERATURE 260°C MAX, 10 SECONDS MAX.

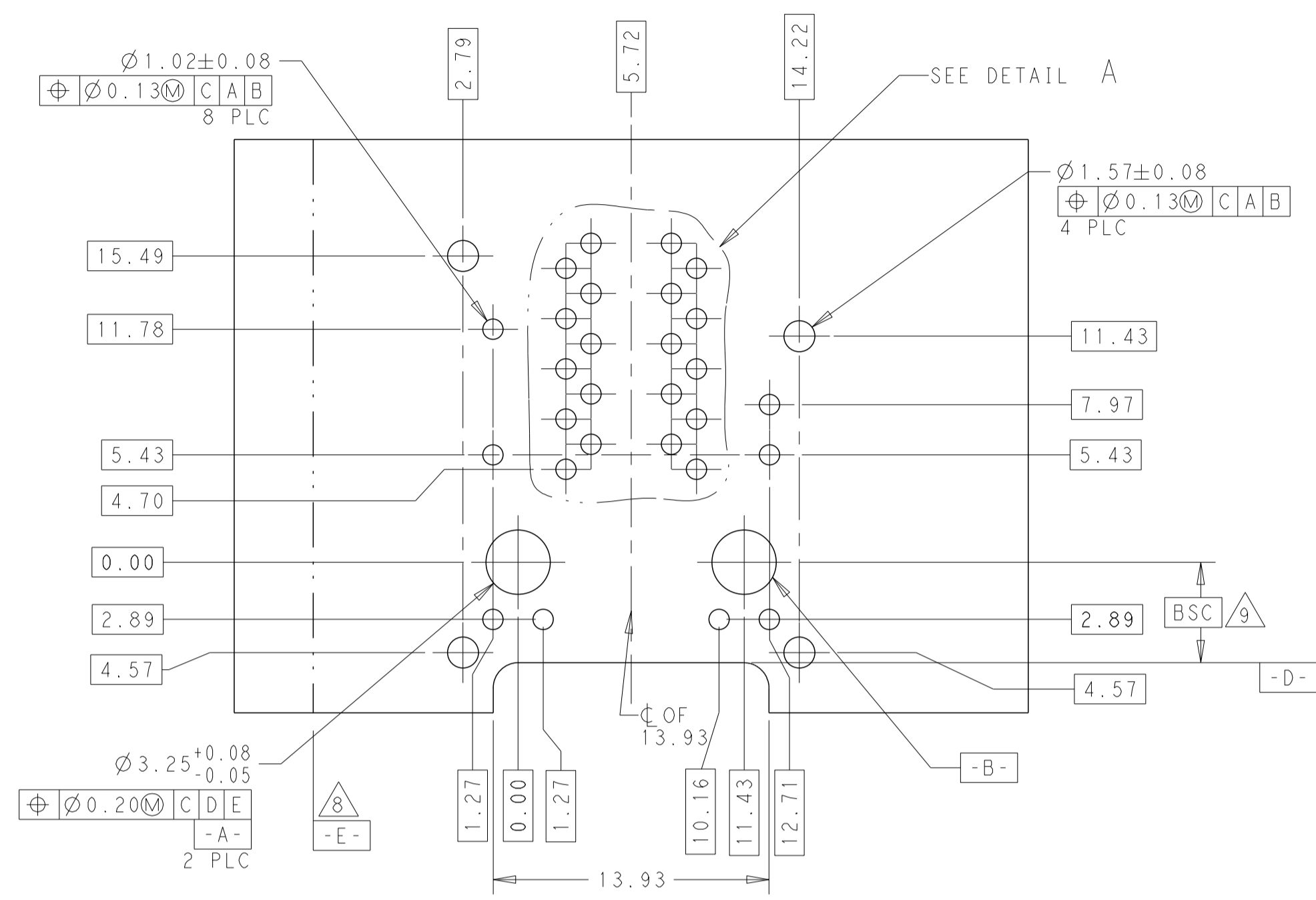
2.27	STANDARD SEE SHEET 4	GREEN	YELLOW	GREEN	YELLOW	2-1840689-3
3.56	STANDARD SEE SHEET 4	GREEN/YELLOW	GREEN	GREEN	GREEN/YELLOW	1-1840689-9
3.56	SPECIAL SEE SHEET 4	YELLOW	GREEN	GREEN	YELLOW	1-1840689-2
3.04	STANDARD SEE SHEET 4	GREEN/YELLOW	GREEN	GREEN/YELLOW	GREEN	1840689-5
3.04	STANDARD SEE SHEET 4	GREEN	GREEN/ORANGE	GREEN	GREEN/ORANGE	1840689-6
3.04	STANDARD SEE SHEET 4	GREEN	YELLOW	GREEN	YELLOW	1840689-3
DIM A	LED POLARITY	BOTTOM LED 2	BOTTOM LED 1	TOP LED 2	TOP LED 1	PART NUMBER

THIS DRAWING IS A CONTROLLED DOCUMENT.

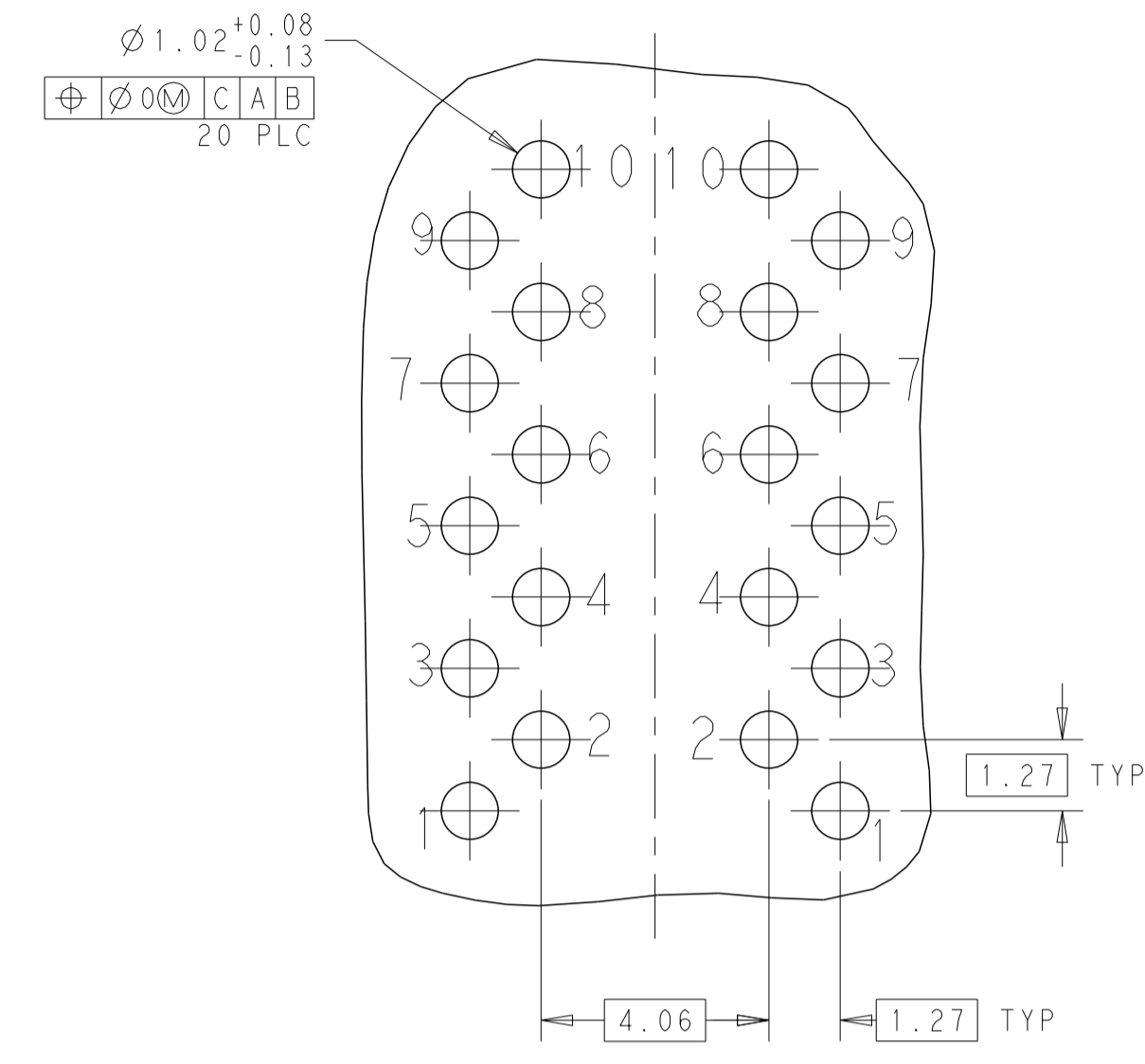
DRN: GABRIEL Z/TERRY LIN 07JAN2012	 <b>trp</b> CONNECTOR a bel group DONGGUAN CHINA
CHK: TONY YUAN 07JAN2012	
APVD: KEITH ZHU 07JAN2012	
DIMENSIONS: mm TOLERANCES UNLESS OTHERWISE SPECIFIED: 0 PLC ±0.25 1 PLC ±0.25 2 PLC ±0.25 3 PLC ± 4 PLC ± ANGLES ± PRODUCT SPEC 108-104004 APPLICATION SPEC	MODEL NAME: MAGJACK DESC: 2X1 S8G56 GIGABIT W/ LED SIZE: A1 CAGE CODE: C=1840689 DRAWING NO: 108-104004 SCALE: 4:1 SHEET 1 OF 4 REV G



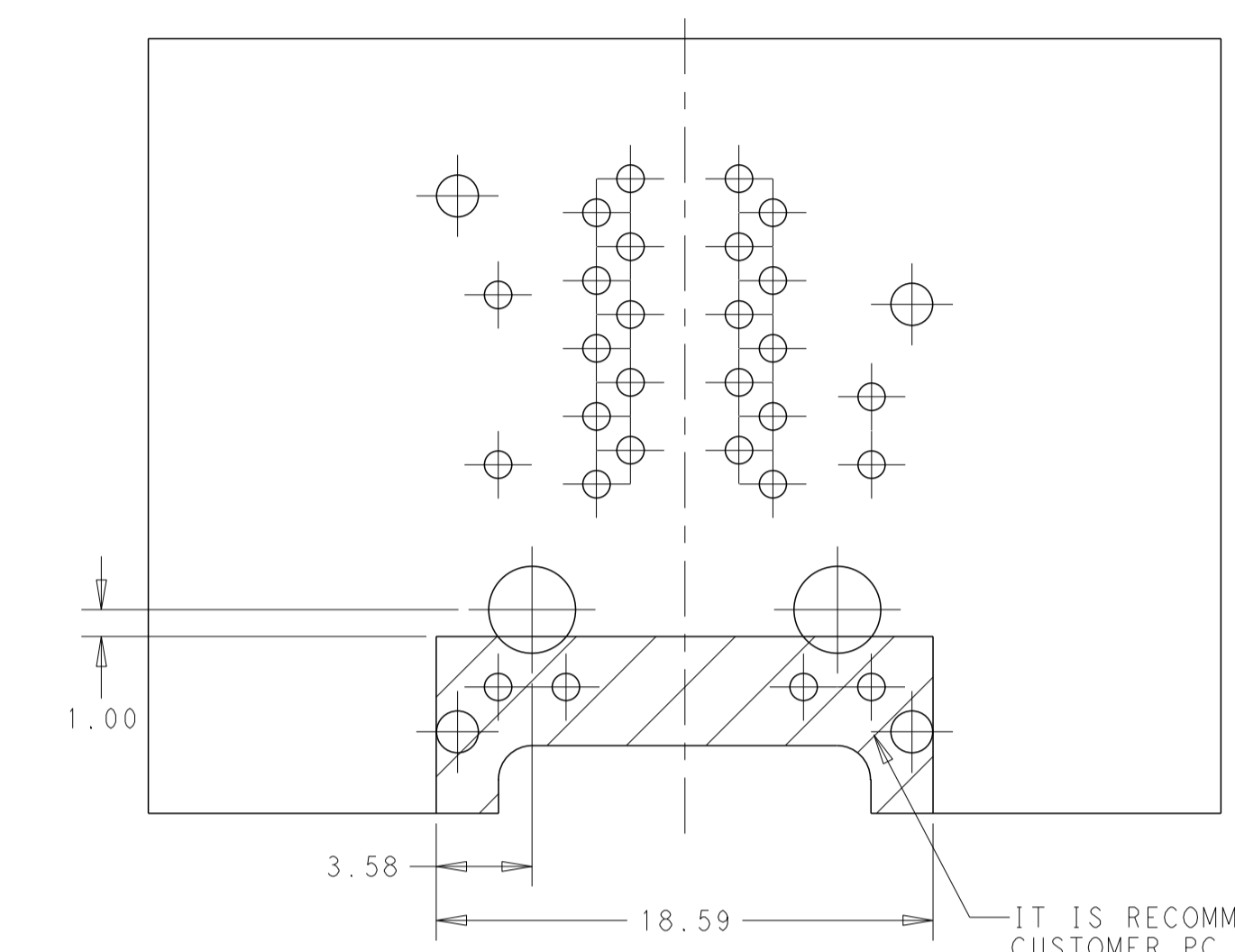
THIS DRAWING IS A CONTROLLED DOCUMENT.		DRW: 07JAN2012 GABRIEL Z/TERRY LIN	 <b>trp</b> CONNECTOR <small>a bel group</small>	DONGGUAN CHINA												
DIMENSIONS: mm		CHK: 07JAN2012 TONY YUAN														
TOLERANCES UNLESS OTHERWISE SPECIFIED:		APP'D: 07JAN2012 KEITH ZHU	MODEL NAME	DESC: 2X1 S8G56 GIGABIT W/ LED												
<table border="1"> <tr><td>0 PLC</td><td>±0.25</td></tr> <tr><td>1 PLC</td><td>±0.25</td></tr> <tr><td>2 PLC</td><td>±0.25</td></tr> <tr><td>3 PLC</td><td>±0.25</td></tr> <tr><td>4 PLC</td><td>±</td></tr> <tr><td>ANGLES</td><td>±</td></tr> </table>		0 PLC	±0.25	1 PLC	±0.25	2 PLC	±0.25	3 PLC	±0.25	4 PLC	±	ANGLES	±	PRODUCT SPEC: 108-104004	APPLICATION SPEC: -	SIZE: A1
0 PLC	±0.25															
1 PLC	±0.25															
2 PLC	±0.25															
3 PLC	±0.25															
4 PLC	±															
ANGLES	±															
CUSTOMER DRAWING		SCALE: 4:1	SHEET: 2 OF 4	REV: G												



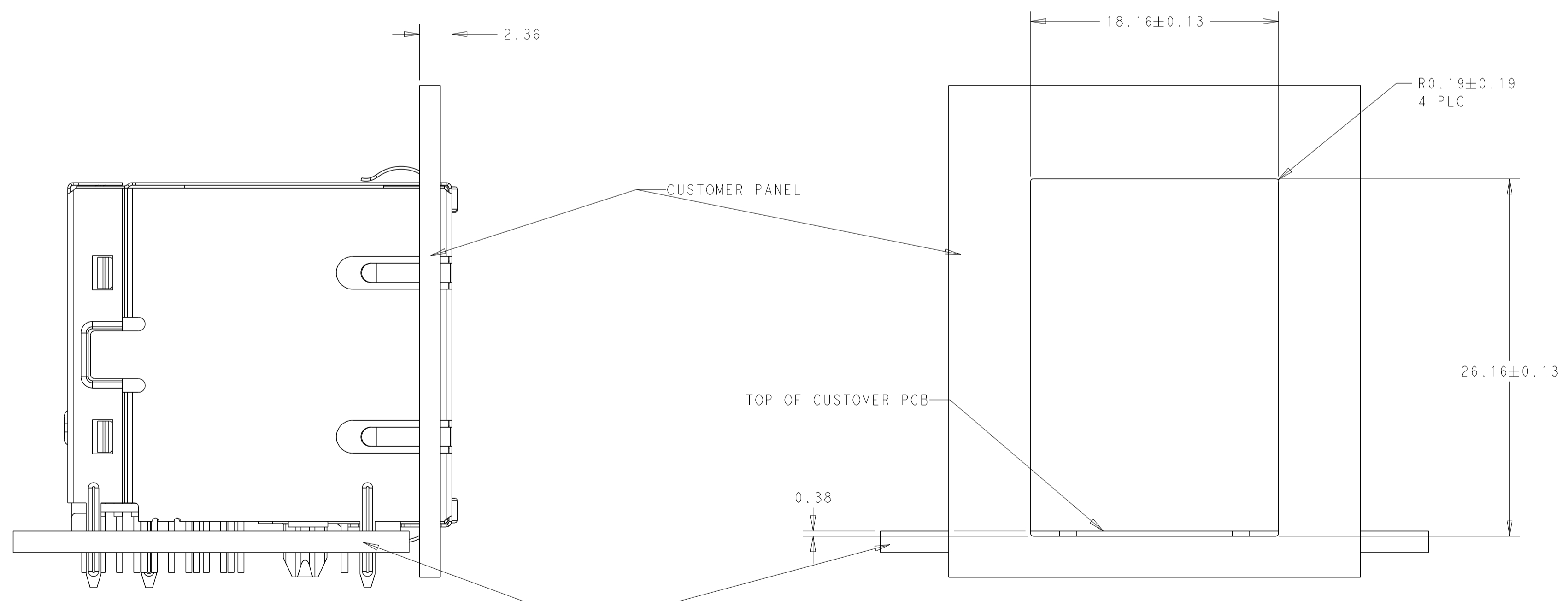
RECOMMENDED PCB LAYOUT  
COMPONENT SIDE VIEW



DETAIL A  
SCALE 8:1


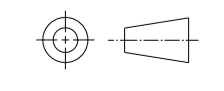


IT IS RECOMMENDED THAT SHADED AREA OF CUSTOMER PC BOARD BE CLEAR OF ANY VIA HOLE, COMPONENT AND CIRCUIT TRACE



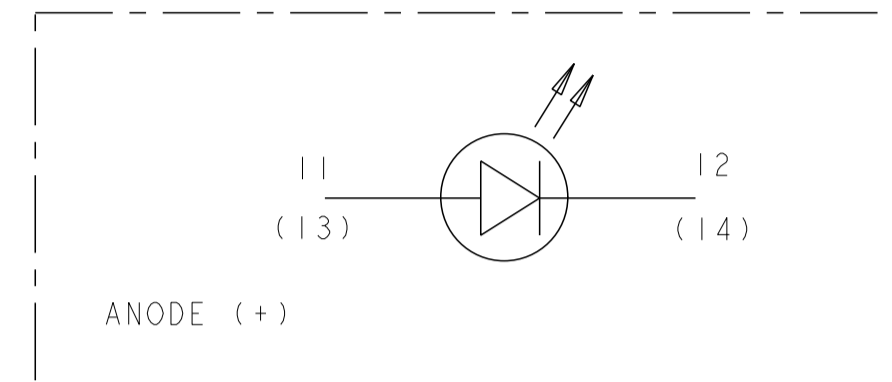
SHOWN WITH PANEL AND  
CUSTOMER PCB ASSEMBLY

SUGGESTED PANEL CUTOUT DIMENSIONS

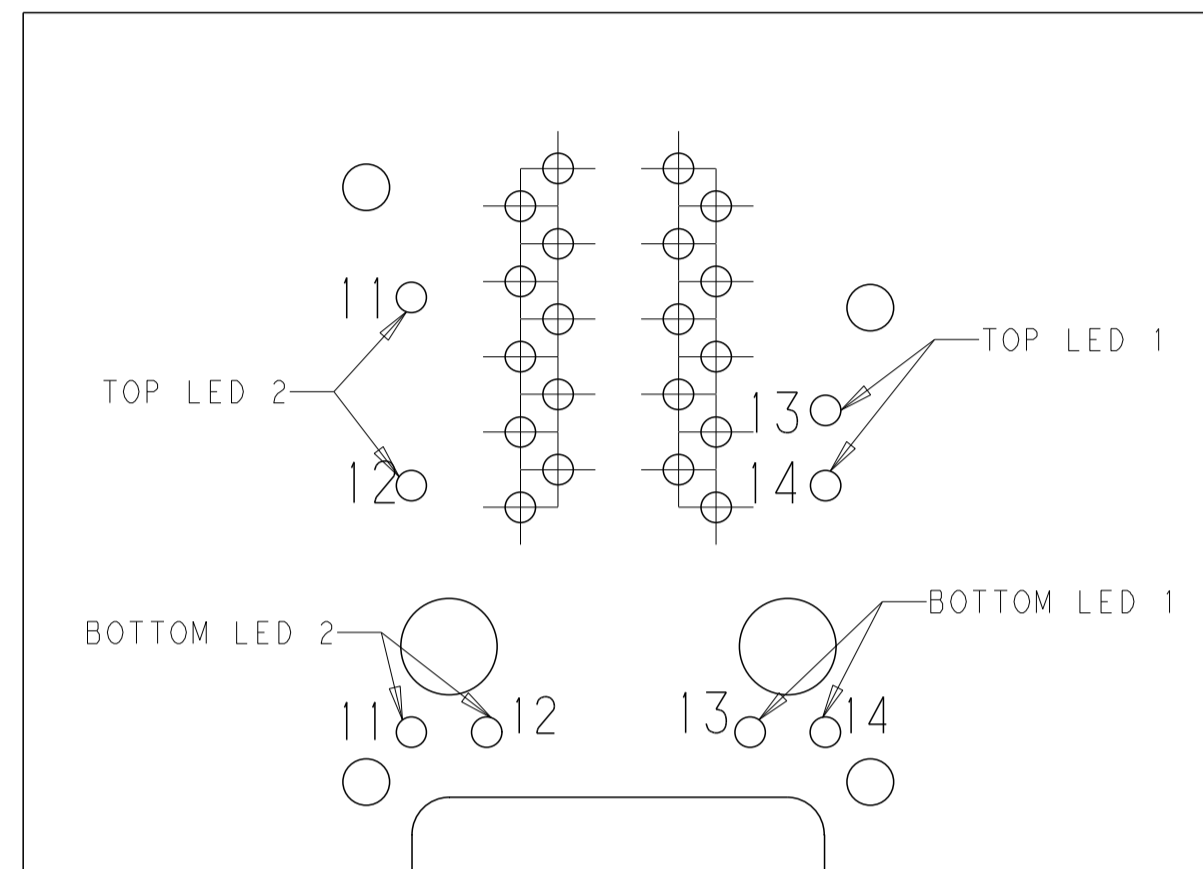
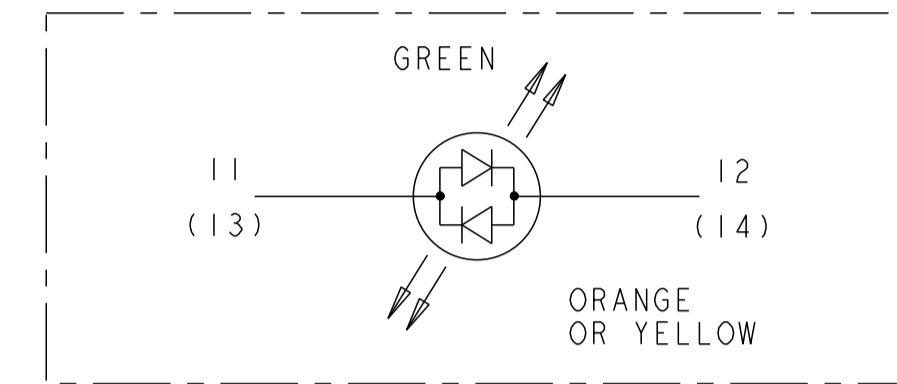
THIS DRAWING IS A CONTROLLED DOCUMENT.		DWN: GABRIEL Z/TERRY LIN 07JAN2012		 DONGGUAN CHINA
DIMENSIONS: mm		CHK: TONY YUAN 07JAN2012		
		TOLERANCES UNLESS OTHERWISE SPECIFIED: 0 PLC ±0.25 1 PLC ±0.25 2 PLC ±0.25 3 PLC ±0.25 4 PLC ± ANGLES ±		MODEL NAME: MAGJACK DESC: 2X1 S8G56 GIGABIT W/ LED
PRODUCT SPEC: 108-104004		APPLICATION SPEC: -		SIZE: A1 CAGE CODE: C=1840689 DRAWING NO: - RESTRICTED TO: -
CUSTOMER DRAWING				SCALE: 4:1 SHEET 3 OF 4 REV G

### STANDARD LED POLARITY

SINGLE COLOR LED

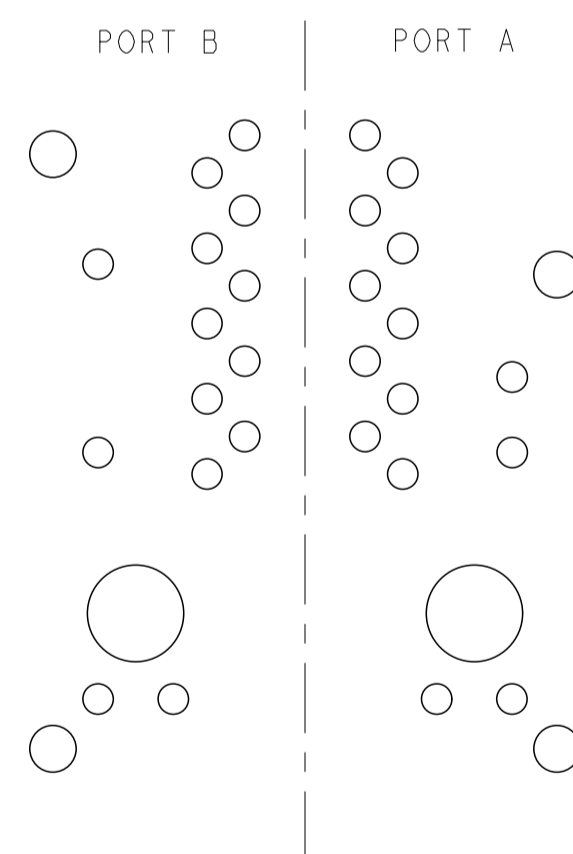
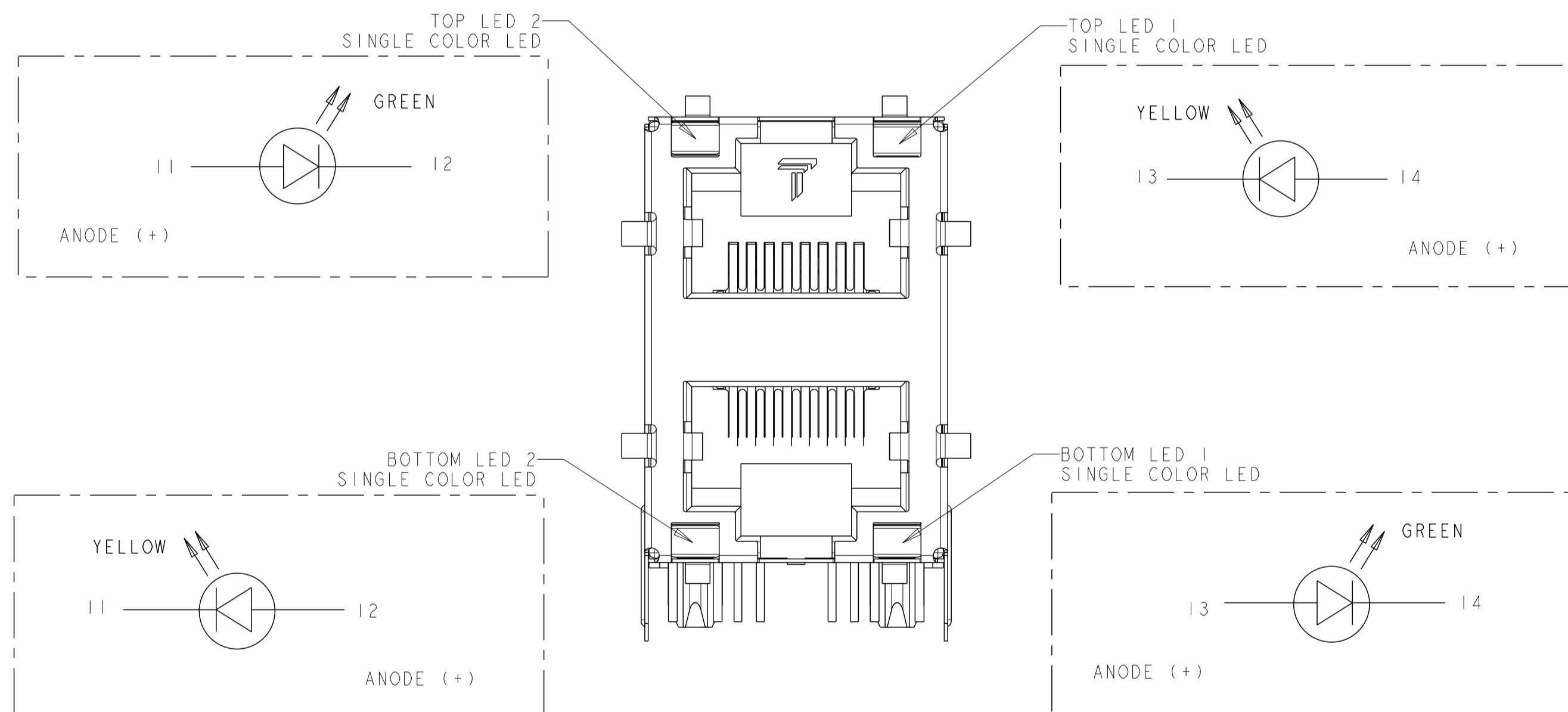


BI-COLOR LED


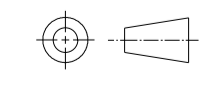


LED HOLE DESIGNATIONS  
VIEWED FROM COMPONENT SIDE

### LED POLARITY FOR 1-1840689-2 ONLY



PORT ASSIGNMENT  
COMPONENT SIDE VIEW

THIS DRAWING IS A CONTROLLED DOCUMENT.		DWR: 07JAN2012 GABRIEL Z/TERRY LIN		 trp CONNECTOR a bel group	DONGGUAN CHINA
DIMENSIONS: mm		CHK: 07JAN2012 TONY YUAN			
		TOLERANCES UNLESS OTHERWISE SPECIFIED:		MODEL NAME	
PRODUCT SPEC		APPLICATION SPEC		DESC	
108-104004		-		MAGJACK STACK Non-PoE	
				2X1 S8G56 GIGABIT W/ LED	
				SIZE: A1	
				CAGE CODE: 1840689	
				SCALE: 4:1 SHEET 4 OF 4 REV G	
				CUSTOMER DRAWING	