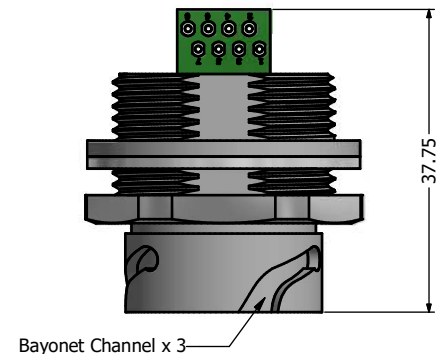
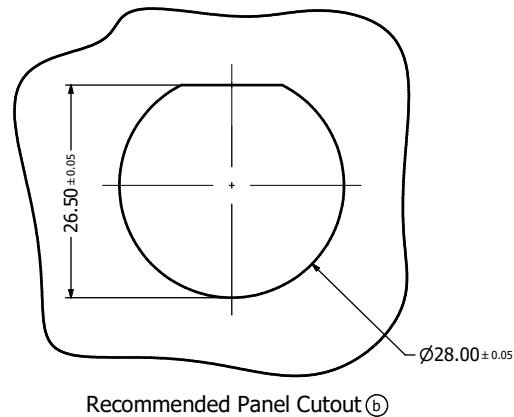
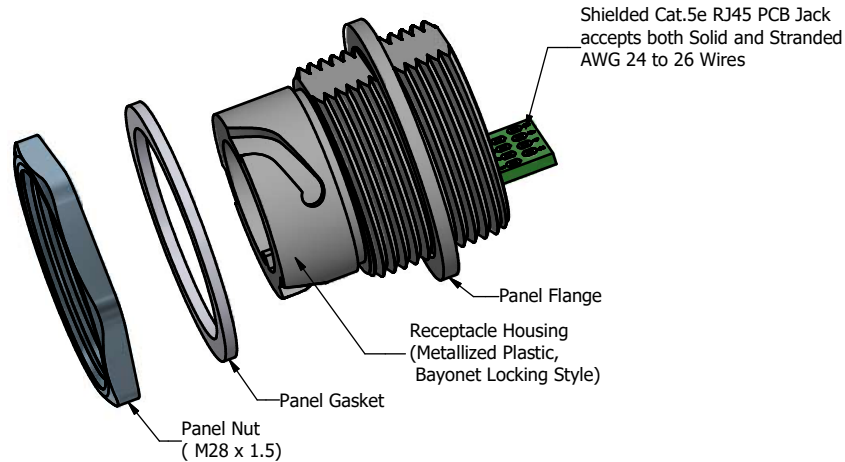
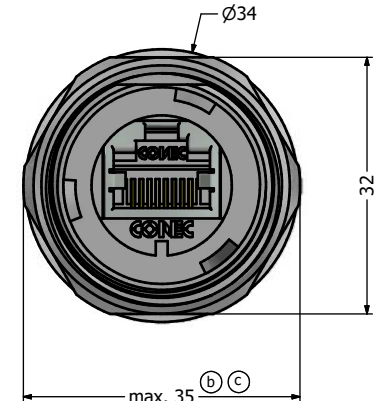
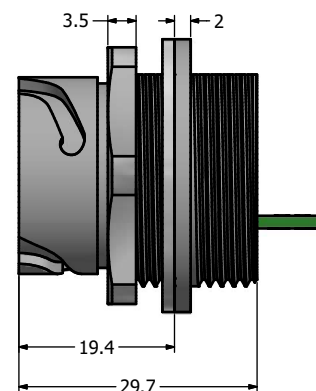
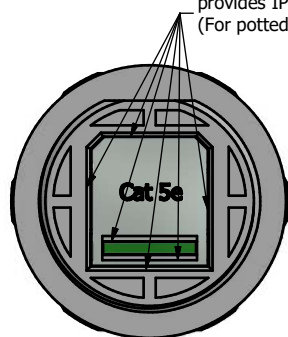


6 5 4 3 2 1



Sealed with Sealing Compound, provides IP67 even when uncovered (For potted version only)



**Notes:**

- Electrical Specifications:
  - Meets EIA/TIA-568-B.2 Cat.5e Specification
  - Contact Resistance: 20mOhm max.
  - Insulation Resistance: 500MOhm min. @ 100 VDC
  - Current Rating: 1.2A max. at 25° C
  - Working Voltage: 100 VDC
  - DWV: 1000 VDC/60s Contact to Contact, 1500 VDC/60s Contact to Metal Shell
  - Operating Temperature: -40° C to +85° C
- Material and Finish:
  - Receptacle Housing: Metallized ABS (Nickel Plated); UL94 V-0
  - Panel Nut: Brass, Finish: Nickel Plated
  - Panel Gasket: Silicon, Color: White
  - Cat.5e RJ45 PCB Jack Metal Shell: Copper Alloy, Nickel Plated
  - Cat.5e RJ45 PCB Jack Plastic Housing: Glass filled PBT UL94 V-0, Color: Black
  - Cat.5e RJ45 PCB Jack Contacts: Phosphor Bronze, Finish: 50u" Gold min. over Nickel
- Connector can be front or rear mounted to a maximum panel thickness of 3.2mm.
- IP67 rated when covered or fully mated with the appropriate mating connector

RoHS compliant

THIS DRAWING MAY NOT BE COPIED OR REPRODUCED IN ANY MANNER OR ON TO A THIRD PARTY WITHOUT WRITTEN PERMISSION. OWNERSHIP AND COPYRIGHT OF CONEC CORPORATION.	Customer:			Tolerance Unless otherwise specified			Scale: 1.5:1	Dim. in mm
	Name	Title	Approval Date	0 PLC ± 0.50	1 PLC ± 0.38		Autodesk Inventor Material: See Notes	Title: Potted Receptacle Assembly Kit Metallized Plastic Receptacle Housing with Shielded Cat. 5e RJ45 PCB Jack
				2 PLC ± 0.25	3 PLC ± 0.10	2011 Date Name Draw. Jan. 28 Vincent Ke Appd. Jan. 28 J. Chaudry Norm		
	1 x c	A21-0426	29.10.2021	Bub	D-old			DIN A3
	b		Mar/08/2011	Vincent ke		Sheet 1/1		
	a	original						
Rev	Changes	Date	Name					

D

C

B

A

D

C

B

A

6 5 4 3 2 1