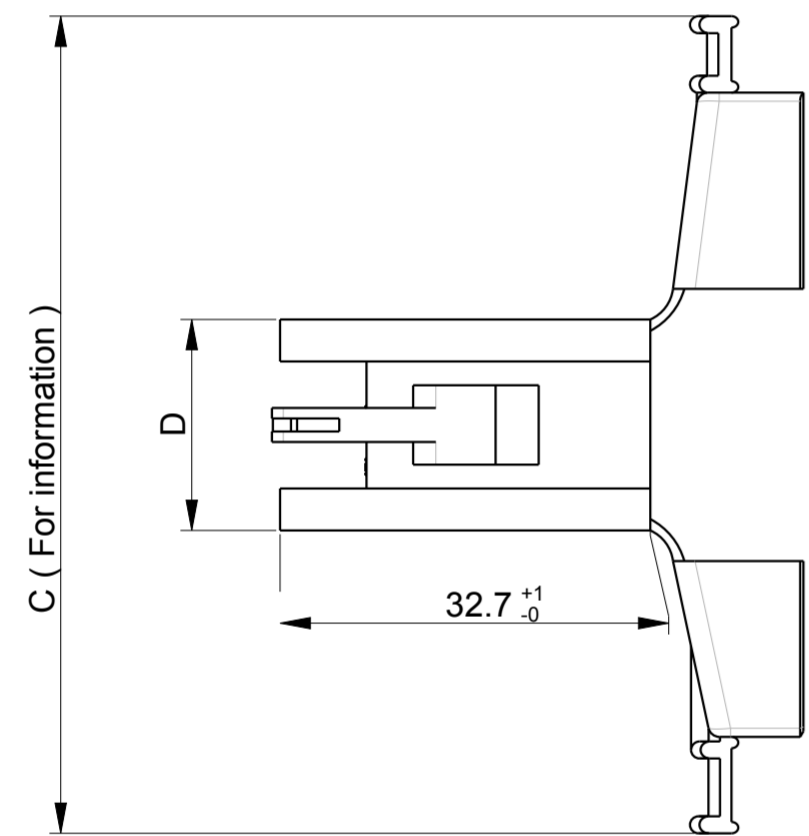
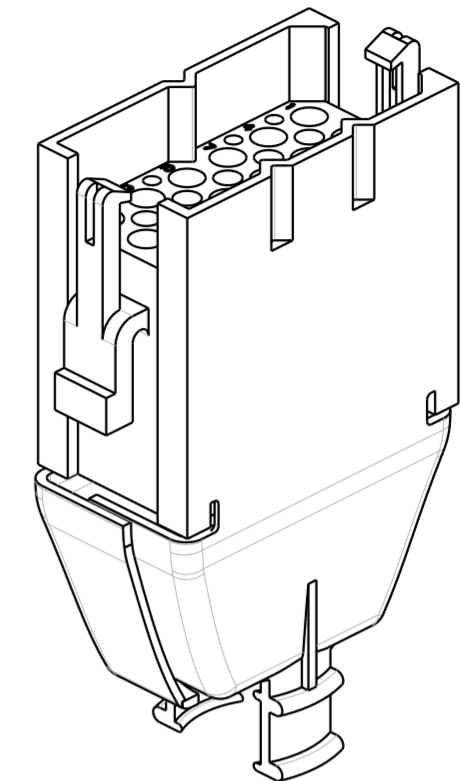
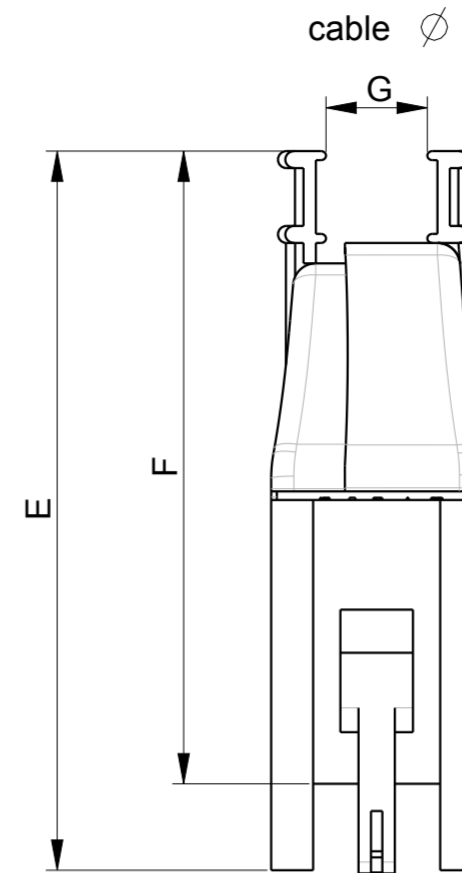
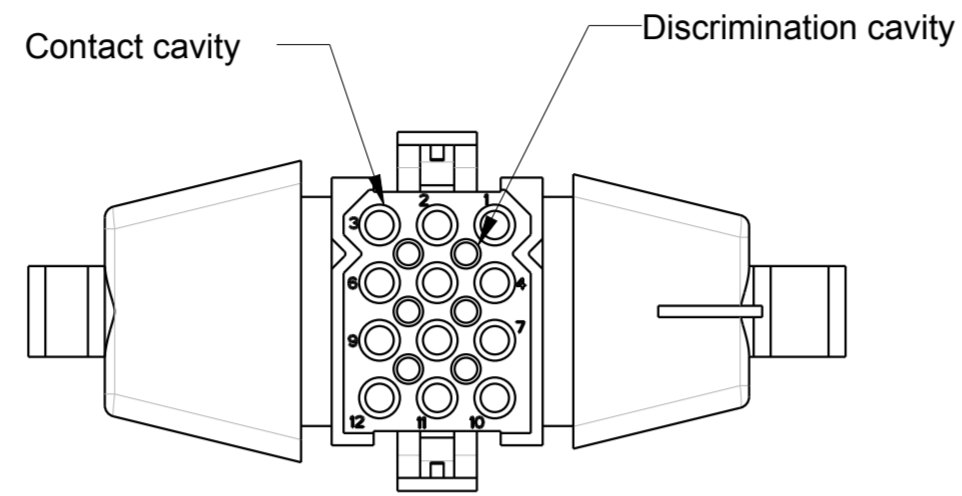
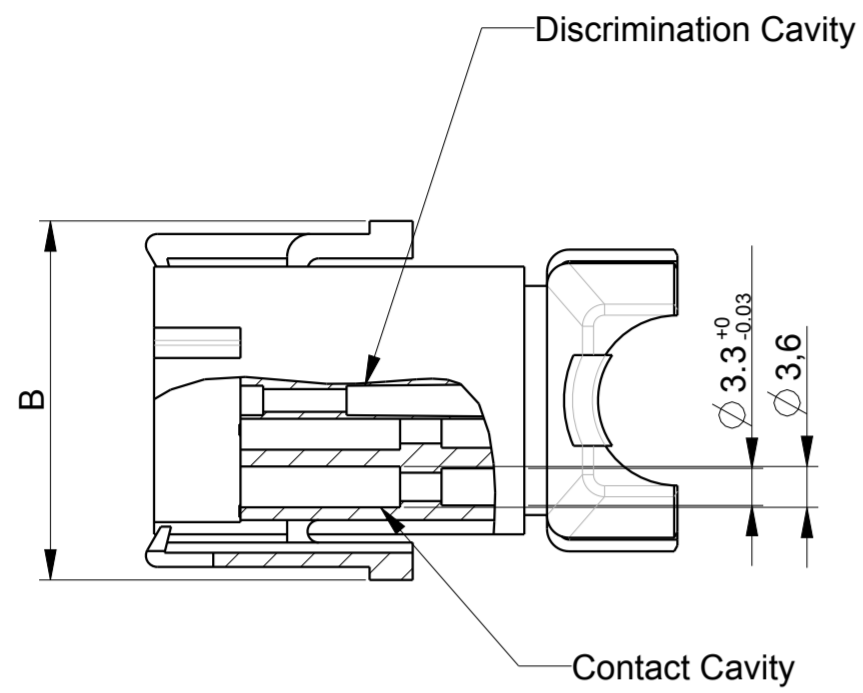


a : 1 : RL



Material :

POLYAMIDE PA 6 / UL94-V0 / COLOUR : GREY
I3F2 in accordance with NF F 16101
and NF F 16102 standard

Performance characteristics :

Operating temperature : -40°C to 105°C
Insulation resistance : 5000M Ohm Min.
Test potential : 2000 VAC
Durability : 500 Cycles

NOTA :

- 1- Connector accepts TRIMTRIO formed, machined and subminiature coaxial pin and socket contacts.
- 2- Raised contact marking on both : mating and wiring face.
- 3- For locking of strain relief hood .Use unirap cable tie (see table below)
- 4- Discrimination with pins is guaranteed without loss of contact positions.
- 5- If discrimination pins are needed : order SMSPK3 per BS.C.201424.003
- 6- For the configuration of all sizes see drawinf : BS.C.201424.007
- 6- For intermateability with other parts see drawing : BS.C.201424.008

Catalog Number	Quantity of Contact cavities	Quantity of discrimination cavities	Dimensions in mm					G in mm		
			B±0.5	C	D±0.3	E	F	Min	Nom	Max
SMS2PDH3	2	0	16.4	64.8	14.1	57.1	49.2	0.5	7.4	8.4
SMS3PDH3	3	0	16.4	69	18.6	57	49.1	0.8	4.1	7.3
SMS4PDH3	4	0	16.4	74.4	24	57.1	49.2	1.5	5.4	10
SMS6PDH3	6	2	21.5	72.6	19.1	58.8	50.9	1.7	6.8	9.2
SMS9PDH3	9	4	26.7	75.3	18.6	60.1	52.2	3.9	9.3	14.3
SMS12PDH3	12	6	31.7	72	18.6	60.6	52.7	4	10	15
SMS15PDH3	15	8	36.7	81.3	18.6	63.1	55.2	5	11	16.2
SMS18PDH3	18	10	41.8	81.3	18.9	63.1	55.2	5.8	12.5	20.3
SMS24PDH3	24	15	41.8	90.4	24	65.1	57.2	7.1	12.4	20.4
SMS36PDH3	36	24	31.7	128	49.4	71.2	63.3	8.8	13	24.5

P/N : SMSXXPDH3

a	27/11/13	Reform drawing on PRO-E and change tolerance 32.9 become 32.7 0/+1 (Cancel and replace BSC20142401400)		23261
ISS	DATE	Latest modification - by: BERTHOME A.		MOD N°
Designed by: ROUILLARD C.		Date: 24/10/05	CUSTOMER DRAWING	
TITLE		QIKMATE PLUG WITH MOULDED-ON HOOD AND DISC. CAV. SMS CONNECTOR		
Scale	3/2	General linear Tolerances: ± 0.5	NPRDS / PROJECT TRIM TRIO	
SOURIAU WWW.SOURIAU.COM		This document is the property of SOURIAU It must not be reproduced or communicated without permission		
FORMAT	A2	SOURIAU DRG N° BSC201424014		SHEET 1/1

NOT EXPORT CONTROLLED