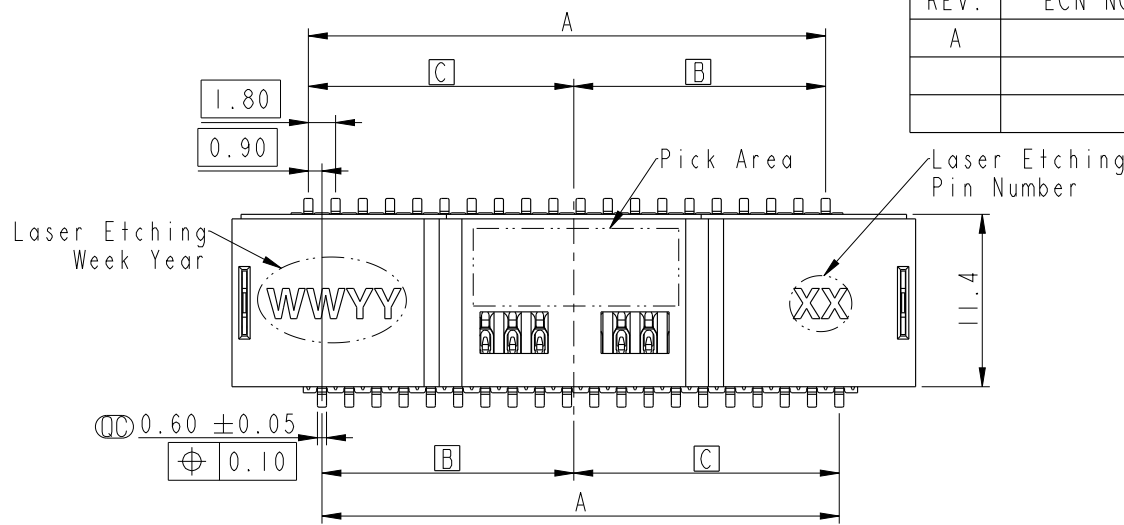
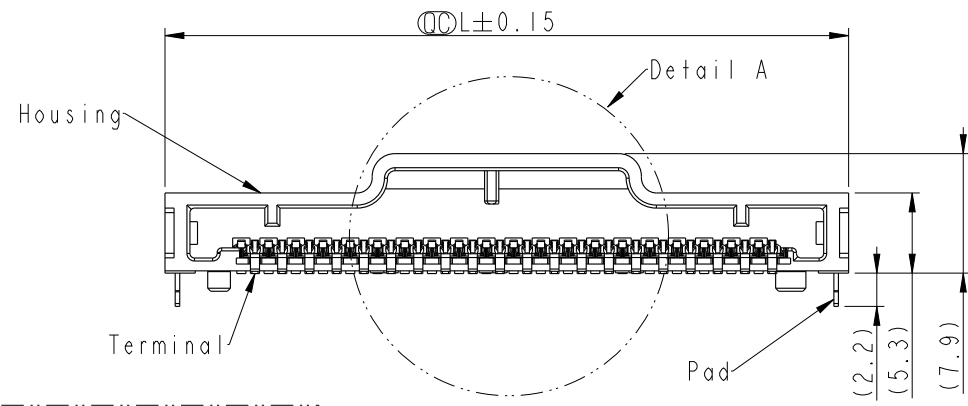


THIS DOCUMENT IS SUBJECT TO CHANGE WITHOUT NOTICE. IT IS CONFIDENTIAL AND A PROPERTY OF Amphenol LTW. DISCLOSURE TO THIRD PARTY HAS TO BE AUTHORIZED BY Amphenol LTW.

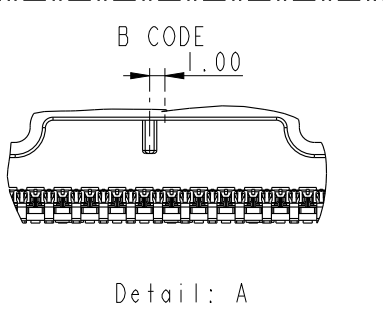
| REV. | ECN NO. | DATE       | SIGN     | DESCRIPTION |
|------|---------|------------|----------|-------------|
| A    |         | 2023/01/11 | Xiaofeng | New Initial |



| ZCONNECT SIZE |       |       |       |       |
|---------------|-------|-------|-------|-------|
| PIN           | L(mm) | A(mm) | B(mm) | C(mm) |
| 36            | 41.6  | 30.6  | 14.85 | 15.75 |
| 38            | 43.4  | 32.4  | 16.65 | 15.75 |
| 40            | 45.2  | 34.2  | 16.65 | 17.55 |



Z2BI-XX AFRS-BA0001  
 XX-Number of Contacts



- Note:
- \*  $\varnothing$  Important Dimensions To Check.
  - \* Housing: Thermoplastic·Black.
  - \* Terminal: Copper Alloy·Gold Plated.
  - \* Pad: Metal.

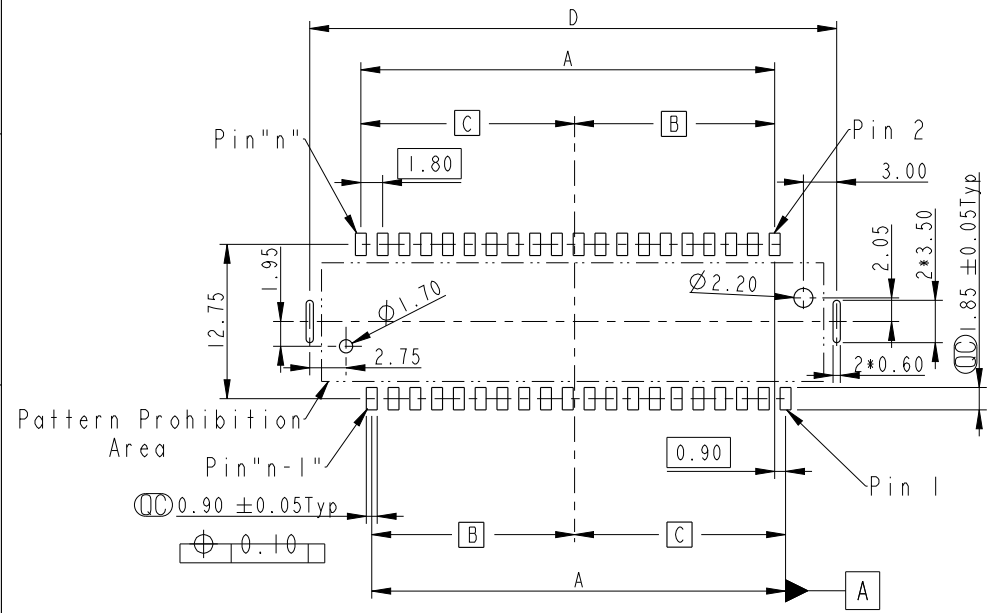
|           |               |          |
|-----------|---------------|----------|
| UNIT: mm  | $\varnothing$ | $\nabla$ |
| TOLERANCE |               |          |
| .X        | ±0.25         |          |
| .XX       | ±0.1          |          |
| .XXX      | ±0.05         |          |
| ANGLES    | ±1°           |          |

|  |               |                                 |  |
|--|---------------|---------------------------------|--|
| TITLE<br>Z CONN., N SHLD, P 0.9, F SMD |               |                                 |  |
| SCALE<br>1:1                           | SIZE<br>A4    | SHEET<br>1 OF 4                 |  |
| REV.<br>A                              | WC-REV.<br>.0 | $\varnothing$ : Inspection item |  |

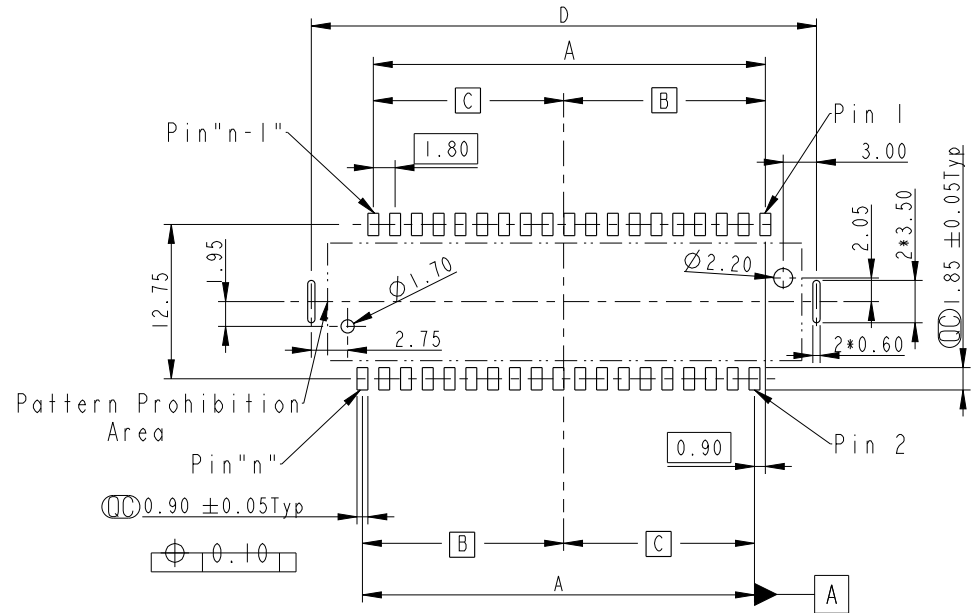
**Amphenol LTW**  
 安費諾亮泰企業股份有限公司

|                               |                       |                    |
|-------------------------------|-----------------------|--------------------|
| ITEM NO.                      | DRAWN BY<br>Xiaofeng  | DATE<br>2023/01/11 |
| DWG NO.<br>Z2BI-XXAFRS-BA0001 | CHECKED BY<br>Feng-Li | DATE<br>2023/01/11 |
| CUSTOMER<br>ALTW              | APPROVED BY<br>Jerry  | DATE<br>2023/01/11 |

THIS DOCUMENT IS SUBJECT TO CHANGE WITHOUT NOTICE. IT IS CONFIDENTIAL AND A PROPERTY OF Amphenol LTW. DISCLOSURE TO THIRD PARTY HAS TO BE AUTHORIZED BY Amphenol LTW.



RECOMMENDED PCB LAYOUT



RECOMMENDED PCB LAYOUT

PCB LAYOUT SIZE

| PIN | A(mm) | B(mm) | C(mm) | D(mm) |
|-----|-------|-------|-------|-------|
| 36  | 30.6  | 14.85 | 15.75 | 39.95 |
| 40  | 34.2  | 16.65 | 17.55 | 43.55 |

PCB LAYOUT SIZE

| PIN | A(mm) | B(mm) | C(mm) | D(mm) |
|-----|-------|-------|-------|-------|
| 38  | 32.4  | 16.65 | 15.75 | 41.75 |

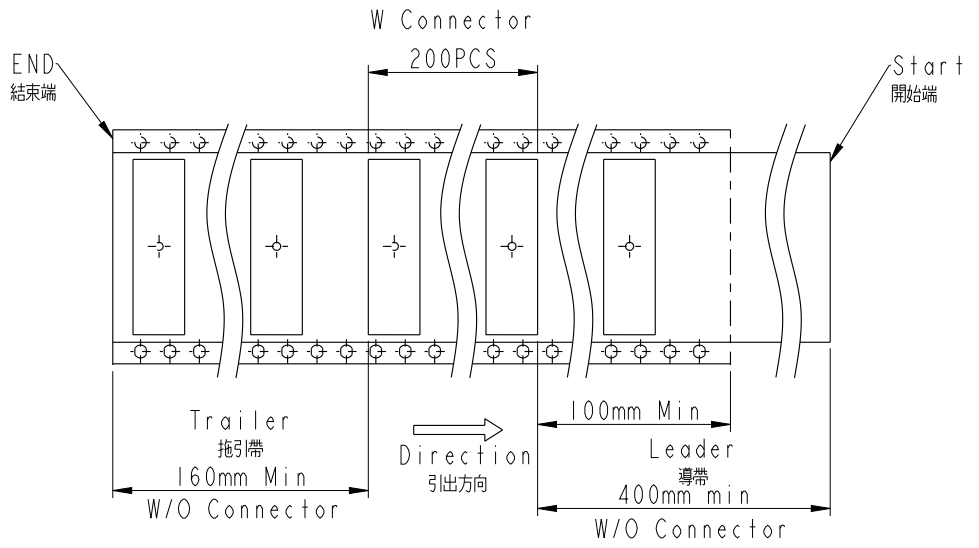
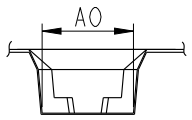
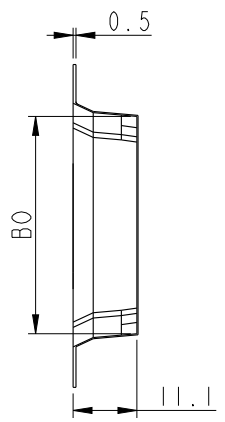
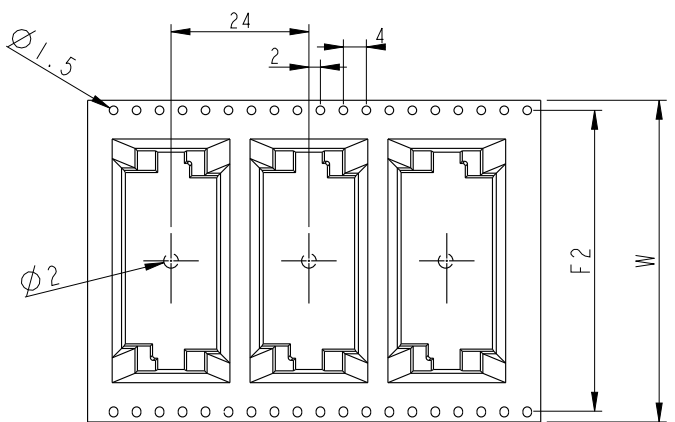
|            |            |          |                                     |                     |
|------------|------------|----------|-------------------------------------|---------------------|
| UNIT: mm   |            |          | TITLE Z CONN., N SHLD, P 0.9, F SMD |                     |
| TOLERANCE  | .X ±0.25   | .XX ±0.1 | SCALE 1:1                           | SIZE A4             |
| .XXX ±0.05 | ANGLES ±1° | REV. A   | WC-REV. .0                          | SHEET 2 OF 4        |
|            |            |          |                                     | QC: Inspection item |

**Amphenol LTW**  
安費諾亮泰企業股份有限公司

|                           |                    |                 |
|---------------------------|--------------------|-----------------|
| ITEM NO                   | DRAWN BY Xiaofeng  | DATE 2023/01/11 |
| DWG NO Z2B1-XXAFRS-BA0001 | CHECKED BY Feng-Li | DATE 2023/01/11 |
| CUSTOMER ALTW             | APPROVED BY Jerry  | DATE 2023/01/11 |

THIS DOCUMENT IS SUBJECT TO CHANGE WITHOUT NOTICE. IT IS CONFIDENTIAL AND A PROPERTY OF AMPHENOL LTW. DISCLOSURE TO THIRD PARTY HAS TO BE AUTHORIZED BY AMPHENOL LTW.

Packing:



| PIN | B0(mm) | W(mm) | F2(mm) | A0(mm) |
|-----|--------|-------|--------|--------|
| 36  | 41.9   | 72    | 68.4   |        |
| 38  | 43.7   |       |        |        |
| 40  | 45.5   |       |        |        |

UNIT: mm

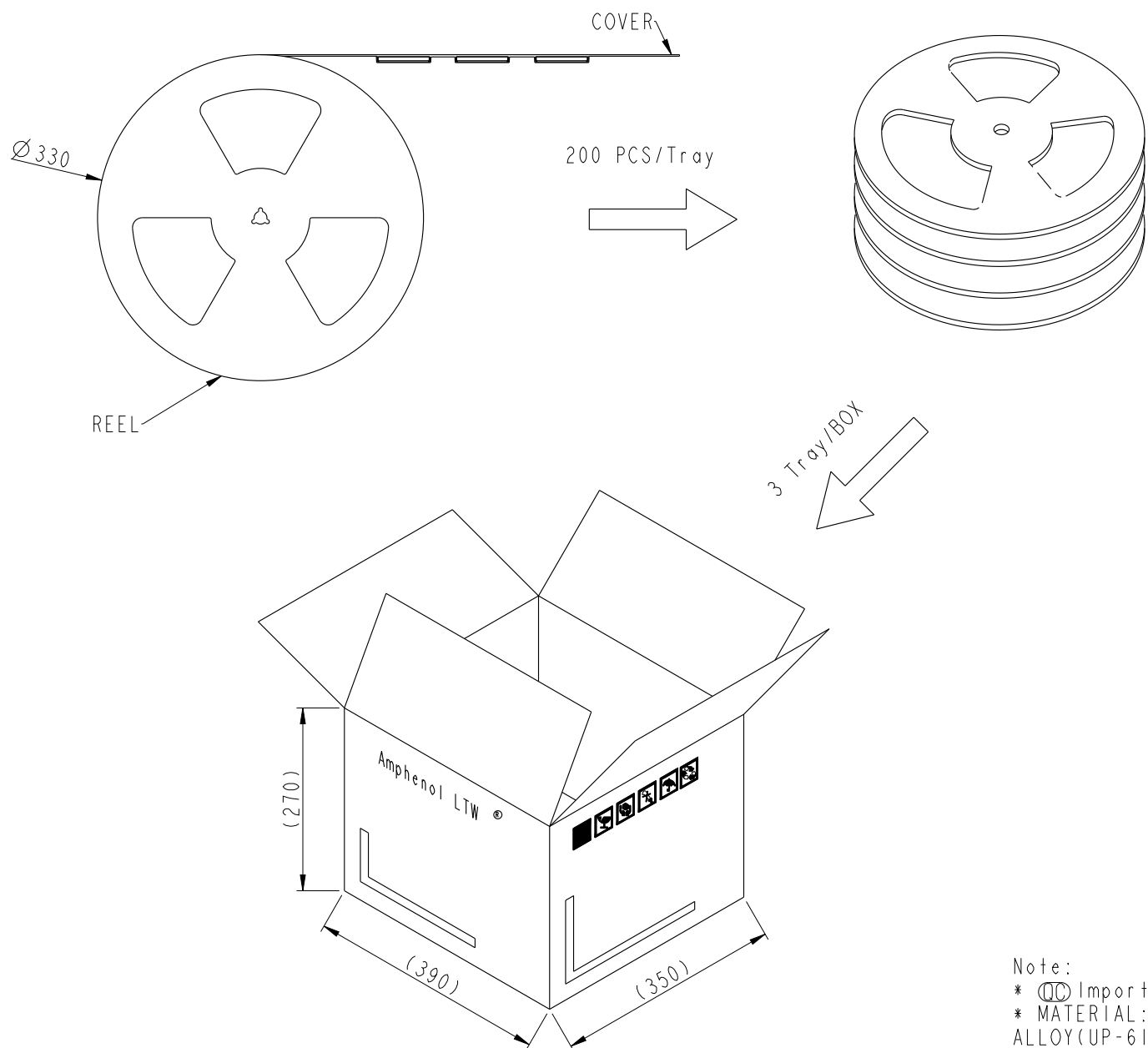
|           |       |
|-----------|-------|
| TOLERANCE |       |
| .X        | ±0.25 |
| .XX       | ±0.1  |
| .XXX      | ±0.05 |
| ANGLES    | ±1°   |

|  |         |                     |    |
|--|---------|---------------------|----|
| TITLE<br>Z CONN., N SHLD, P 0.9, F SMD |         |                     |    |
| SCALE                                  | SIZE    | SHEET               | OF |
| 1:1                                    | A4      | 3                   | 4  |
| REV.                                   | WC-REV. | QC: Inspection item |    |
| A                                      | .0      |                     |    |

**Amphenol LTW**  
安費諾亮泰企業股份有限公司

|                    |             |            |
|--------------------|-------------|------------|
| ITEM NO            | DRAWN BY    | DATE       |
|                    | Xiaofeng    | 2023/01/11 |
| DWG NO             | CHECKED BY  | DATE       |
| Z2B1-XXAFRS-BA0001 | Feng-Li     | 2023/01/11 |
| CUSTOMER           | APPROVED BY | DATE       |
| ALTW               | Jerry       | 2023/01/11 |

THIS DOCUMENT IS SUBJECT TO CHANGE WITHOUT NOTICE. IT IS CONFIDENTIAL AND A PROPERTY OF Amphenol LTW. DISCLOSURE TO THIRD PARTY HAS TO BE AUTHORIZED BY Amphenol LTW.



Note:  
 \*  $\text{⌀}$  Important Dimensions To Check.  
 \* MATERIAL: BLACK CONDUCTIVE POLYSTYRENE ALLOY(UP-6100).

|   |   |               |                    |   |                  |                              |                      |                       |                      |                    |                    |   |  |   |  |   |  |
|---|---|---------------|--------------------|---|------------------|------------------------------|----------------------|-----------------------|----------------------|--------------------|--------------------|---|--|---|--|---|--|
| A | UNIT: mm  |               |                    | TITLE<br>Z CONN., N SHLD, P 0.9, F<br>SMD |                  |                              | ITEM NO              |                       | DRAWN BY<br>Xiaofeng |                    | DATE<br>2023/01/11 |   |  |   |  |   |  |
|   | TOLERANCE<br>.X ±0.25<br>.XX ±0.1<br>.XXX ±0.05<br>ANGLES ±1° | SCALE<br>2:1  | SIZE<br>A4         | SHEET<br>4                                | OF<br>4          | DWG NO<br>Z2B1-XXAFRS-BA0001 |                      | CHECKED BY<br>Feng-Li |                      | DATE<br>2023/01/11 |                    |   |  |   |  |   |  |
|   | REV.<br>A   | WC-REV.<br>.0 | Ⓞ: Inspection item |   | CUSTOMER<br>ALTW |                              | APPROVED BY<br>Jerry |                       | DATE<br>2023/01/11   |                    |                    |   |  |   |  |   |  |
|   |   |               |                    | 2   |                  | 3                            |                      | 4                     |                      | 5                  |                    | 6 |  | 7 |  | 8 |  |

**Amphenol LTW**  
 安費諾亮泰企業股份有限公司